



## Bourdon tube pressure gauges for industrial applications RF160I

Part no. 85372431

Bourdon tube pressure gauges for industrial applications Type D4

### benefits

- for machine and plant engineering
- robust, stainless steel housing with bayonet bezel
- can be equipped with electrical contact
- DNV-GL- and GOSSTANDART-certified

### Application

For gaseous and liquid media which are not highly viscous, do not crystallise and do not attack copper alloys. For high accuracy and rough application conditions.

! For measuring gas or vapour, observe the table "Selection Criteria as per EN 837-2" (see appendix)!

### Technical Specifications

#### Type

D4

#### Nominal size

160

#### accuracy class (EN 837-1/6)

1.0

#### ranges (EN 837-1/5)

see ordering table

#### application area

- ≤ 600 bar: Full scale value
- > 600 bar: ¾ x full scale value
- ≤ 600 bar: 0.9 x full scale value
- > 600 bar: ⅔ x full scale value
- ≤ 600 bar: 1.3 x full scale value
- > 600 bar: Full scale value

#### Operating temperature range

Medium: max. 60 °C  
Ambient: -20/+60 °C

#### Temperature performance

Indication error when the temperature of the measuring system deviates from the normal temperature of 20 °C:  
at rising temperature approx. ± 0.4 %/10 K  
falling temperature approx. ± 0.4 %/10 K  
of full scale value

#### Degree of protection

IP 54 (EN 60529)

#### Connection

Brass, bottom back

#### Measuring element

Bourdon tube  
≤ 60 bar: "C" type tube, Copper alloy  
> 60 bar: helical tube, stainless steel 316 Ti/316 L

#### movement

Brass

#### Dial

Aluminium, white  
Scaling: black

**Pointer**

Aluminium, black

**bayonet bezel**

Stainless steel 304

**Housing**

Stainless steel 304, with blow-out

**window**

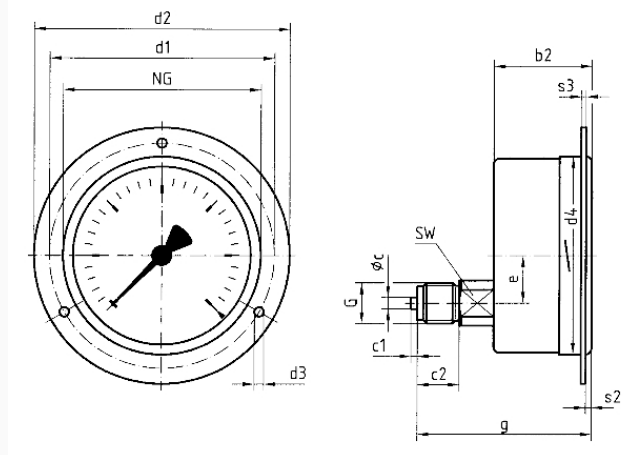
Instrument glass

**Options**

- back flange
- Panel mounting bezel
- 3-hole fixing, panel mounting bezel
- laminated safety glass window
- throttle screw
- Reference pointer
- Electrical contacts
- special scales
- other process connections

**Technical Drawings**

**bottom back connection, 3-hole fixing, panel mounting bezel**



**Dimensions (mm)**

| NG  | b2 | ∅c | c1 | c2 | d1* | d2  | d3* | d4  | e    | G   | g  | s2 | s3 | SW |
|-----|----|----|----|----|-----|-----|-----|-----|------|-----|----|----|----|----|
| 100 | 49 | 6  | 3  | 20 | 116 | 132 | 4,8 | 104 | 26,5 | G½B | 81 | 4  | 2  | 22 |
| 160 | 50 | 6  | 3  | 20 | 178 | 196 | 5,8 | 164 | 26,5 | G½B | 82 | 4  | 2  | 22 |
| 250 | -  | 6  | 3  | 20 | 270 | 285 | 5,8 | -   | -    | G½B | -  | -  | -  | 22 |

\* Dimensions for NG 100 according to DIN 16064

## Versions

| Range     | Mounting type                       | Type           |   | Part number |
|-----------|-------------------------------------|----------------|---|-------------|
| 0/250 bar | 3-hole fixing, panel mounting bezel | RF160I<br>D431 | ● | 85372431    |

- in-stock items
- Non-stock items