



## Glycerine filled Bourdon tube pressure gauges RF50Gly

Part no. 85070701

Glycerine filled Bourdon tube pressure gauges Type D7

### benefits

- robust stainless steel housing
- can be used in case of heavy vibrations and high, dynamic pressure loads
- longer service life due to less wear and corrosion protection of the measuring system
- No steaming up of the inside of the window in case of outdoor applications

### Application

For gaseous and liquid media which are not highly viscous, do not crystallise and do not attack copper alloys. For measurements in areas with high vibration levels and high, dynamic pressure loads.

### Technical Specifications

#### Type

D7

#### Nominal size

50

#### accuracy class (EN 837-1/6)

1.6

#### ranges (EN 837-1/5)

see ordering table

#### application area

static load:  $\frac{3}{4}$  x full scale value  
dynamic load:  $\frac{2}{3}$  x full scale value  
short-term: Full scale value

#### Operating temperature range

Medium: max. 60 °C  
Ambient: -20/+60 °C

#### Degree of protection

IP 65 (EN 60529)

#### Connection

Brass, bottom

#### Measuring element

Bourdon tube  
≤ 60 bar: "C" type tube  
> 60 bar: helical tube

#### movement

Brass

#### Dial

Aluminium, white  
Scaling: black  
RF50Gly

#### Pointer

Aluminium, black

**Housing**

Stainless steel 304, with blow-out

**window**

Plastic

**crimped bezel**

Stainless steel 304

**filling liquid**

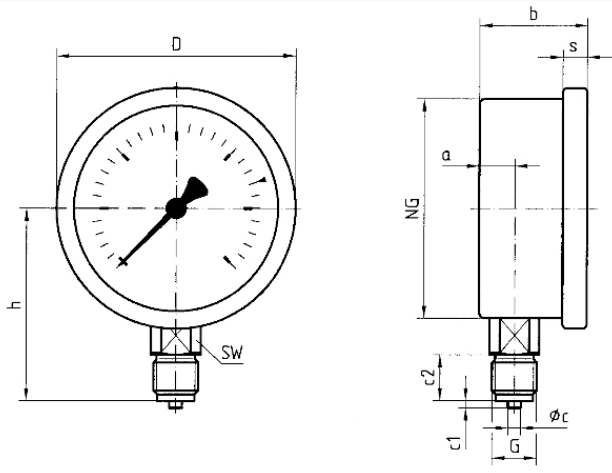
glycerine (99.5 %)

**Options**

- Filling liquid silicone oil
- Back flange (NG 63/80/100)
- clamp fixing
- 3-hole fixing, panel mounting bezel
- crimped bezel polished
- measuring system stainless steel (up to 1,000 bar, NG 80/100)
- special scales
- Clip reference pointer, red, adjustable (NG 63)
- throttle screw
- other process connections

**Technical Drawings**

**NG 50/63 – bottom connection**



**Dimensions (mm)**

NG	a	b	∅c	c1	c2	D	G	h	s	SW
50	11	28	5	2	13	53	G¼B	45,5	4,5	14
63	9,5	30,5	5	2	13	68	G¼B	53	7	14

## Versions

Range	Mounting type	Type		Part number
0/100 bar	direct	RF50Gly D701	●	85070701

- in-stock items
- Non-stock items