

## Glycerine filled Bourdon tube pressure gauges RF63Gly

Part no. 85123701

Glycerine filled Bourdon tube pressure gauges Type D7

### benefits

- robust stainless steel housing
- can be used in case of heavy vibrations and high, dynamic pressure loads
- longer service life due to less wear and corrosion protection of the measuring system
- No steaming up of the inside of the window in case of outdoor applications

### Application

For gaseous and liquid media which are not highly viscous, do not crystallise and do not attack copper alloys. For measurements in areas with high vibration levels and high, dynamic pressure loads.

### Technical Specifications

**Type**  
D7

**Nominal size**  
63

**accuracy class (EN 837-1/6)**  
1.6

**ranges (EN 837-1/5)**  
see ordering table

**application area**  
static load:  $\frac{3}{4}$  x full scale value  
dynamic load:  $\frac{2}{3}$  x full scale value  
short-term: Full scale value

**Operating temperature range**  
Medium: max. 60 °C  
Ambient: -20/+60 °C

**Degree of protection**  
IP 65 (EN 60529)

**Connection**  
Brass, bottom

**Measuring element**  
Bourdon tube  
≤ 60 bar: "C" type tube  
> 60 bar: helical tube

**movement**  
Brass

**Dial**  
Aluminium, white  
RF63Gly  
dual scale, bar outer, black – psi inner, red

**Pointer**  
Aluminium, black

**Housing**

Stainless steel 304, with blow-out

**window**

Plastic

**crimped bezel**

Stainless steel 304

**filling liquid**

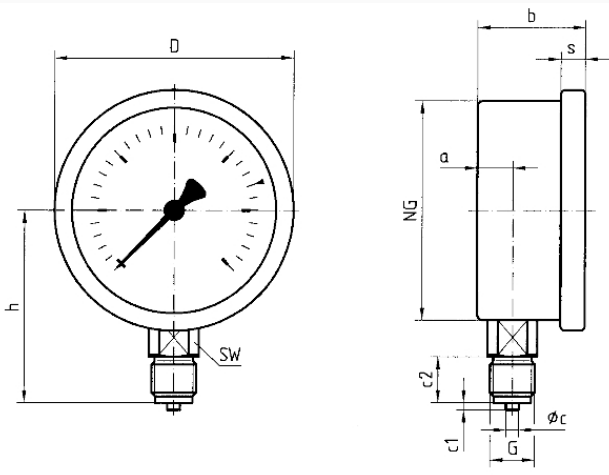
glycerine (99.5 %)

**Options**

- Filling liquid silicone oil
- Back flange (NG 63/80/100)
- clamp fixing
- 3-hole fixing, panel mounting bezel
- crimped bezel polished
- measuring system stainless steel (up to 1,000 bar, NG 80/100)
- special scales
- Clip reference pointer, red, adjustable (NG 63)
- throttle screw
- other process connections

**Technical Drawings**

**NG 50/63 – bottom connection**



**Dimensions (mm)**

NG	a	b	∅c	c1	c2	D	G	h	s	SW
50	11	28	5	2	13	53	G <sup>1</sup> / <sub>4</sub> B	45,5	4,5	14
63	9,5	30,5	5	2	13	68	G <sup>1</sup> / <sub>4</sub> B	53	7	14

## Versions

Range	Mounting type	Type		Part number
0/400 bar	direct	RF63Gly D701	<input checked="" type="radio"/>	85123701

- in-stock items
- Non-stock items