



Glycerine filled Bourdon tube pressure gauges RF160Gly

Part no. 85257811

Glycerine filled Bourdon tube pressure gauges Type D8

benefits

- compact design
- can be used in case of heavy vibrations and high, dynamic pressure loads
- longer service life due to less wear and corrosion protection of the measuring system
- No steaming up of the inside of the window in case of outdoor applications

Application

For gaseous and liquid media which are not highly viscous, do not crystallise and do not attack copper alloys. For measurements in areas with high vibration levels and high, dynamic pressure loads.

Technical Specifications

Type
D8

Nominal size
160

accuracy class (EN 837-1/6)
1.0

ranges (EN 837-1/5)
see ordering table

application area

≤ 600 bar: Full scale value
 > 600 bar: ¼ x full scale value
 ≤ 600 bar: 0.9 x full scale value
 > 600 bar: ⅔ x full scale value
 ≤ 600 bar: 1.3 x full scale value
 > 600 bar: Full scale value

Operating temperature range

Medium: max. 60 °C
 Ambient: -20/+60 °C

Degree of protection

IP 54 (EN 60529) with housing vent (≤ 25 bar)

Connection

Brass, bottom back

Measuring element

Bourdon tube
 ≤ 60 bar: "C" type tube, Copper alloy
 > 60 bar: helical tube, stainless steel 316 Ti/316 L

movement

Brass

Dial

Aluminium, white
 Scaling: black

Pointer

Aluminium, black

Housing

Stainless steel 304, with blow-out

bayonet bezel

Stainless steel 304

Options

- back flange
- 3-hole fixing, panel mounting bezel
- 3-hole fixing, panel mounting bezel (NG 63)
- special scales
- other process connections

window

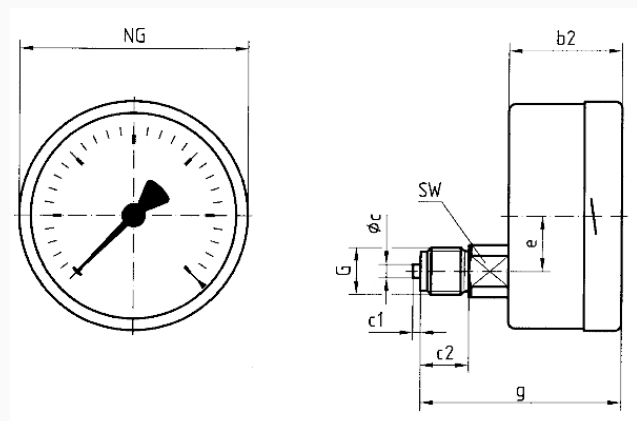
Instrument glass

filling liquid

glycerine (99.5 %)

Technical Drawings

bottom back connection



Dimensions (mm)

| NG | b2 | øc | c1 | c2 | e | G | g | SW |
|-----|----|----|----|----|------|-----|----|----|
| 100 | 49 | 6 | 3 | 20 | 26,5 | G½B | 81 | 22 |
| 160 | 50 | 6 | 3 | 20 | 26,5 | G½B | 82 | 22 |

Versions

| Range | Mounting type | Type | Part number |
|------------|---------------|------------------|-------------|
| -1/+15 bar | direct | RF160Gly D811 | 85257811 |

- in-stock items
- Non-stock items