



## Bourdon tube pressure gauges for chemical applications RF50ChGly

Part no. 85067732

Bourdon tube pressure gauges for chemical applications Type D7 with glycerine filling

### benefits

- for chemical and process engineering applications
- measuring system fully welded to housing
- extremely robust design
- can be used in case of heavy vibrations and high, dynamic pressure loads
- tightness-tested with helium
- DNV- and GOSSTANDART-certified
- Ex version (optional)

### Application

For corrosive gaseous and liquid media which are not highly viscous and do not crystallise; suitable for corrosive environments. For measurements in areas with high vibration levels and high, dynamic pressure loads.

! For measuring gas or vapour, observe the table "Selection Criteria as per EN 837-2" (see appendix)!

### Technical Specifications

#### Type

D7

#### Nominal size

50

#### accuracy class (EN 837-1/6)

1.6

#### ranges (EN 837-1/5)

see ordering table

#### application area

static load:  $\frac{3}{4}$  x full scale value

dynamic load:  $\frac{2}{3}$  x full scale value

short-term: Full scale value

#### Operating temperature range

Medium: max. 100 °C

Ambient: -20/+60 °C

#### Temperature performance

Indication error when the temperature of the measuring system deviates from the normal temperature of 20 °C:  
 at rising temperature approx.  $\pm 0.4 \%$ /10 K  
 falling temperature approx.  $\pm 0.4 \%$ /10 K  
 of full scale value

#### Degree of protection

IP 65 (EN 60529)

#### Connection

Stainless steel 316 L, bottom back

#### Measuring element

Bourdon tube, stainless steel 316 Ti/316 L  
 $\leq 60$  bar: "C" type tube  
 $> 60$  bar: helical tube  
 tightness-tested with helium

#### movement

Stainless steel

**Dial**  
Aluminium, white  
Scaling: black

**Pointer**  
Aluminium, black

**Housing**  
Stainless steel 304, with blow-out

**bayonet bezel**  
NG 50

**crimped bezel**  
Stainless steel 304

**window**  
NG 50  
Plastic

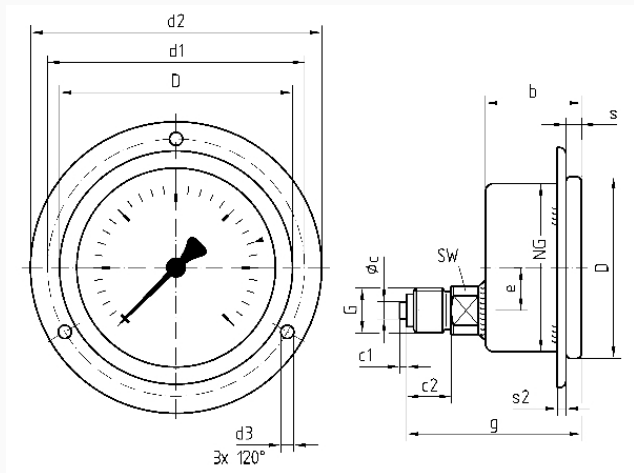
**filling liquid**  
glycerine (99.5 %)

**Options**

- Filling liquid silicone oil
- plastic window (NG 63)
- Back flange (NG 63)
- clamp fixing
- Ex version
- Crimped bezel, polished
- special scales
- other process connections

**Technical Drawings**

**NG 50 – bottom back connection, 3-hole fixing, panel mounting bezel**



**Dimensions (mm)**

| NG | b  | ∅c | c1 | c2 | d1* | d2* | d3* | D  | e                     | G  | g   | s   | s2 | SW |
|----|----|----|----|----|-----|-----|-----|----|-----------------------|----|-----|-----|----|----|
| 50 | 28 | 5  | 2  | 13 | 60  | 70  | 3,6 | 53 | 12,5G $\frac{1}{4}$ B | 51 | 4,5 | 2,5 | 14 |    |

\* Dimensions as per DIN 16063

## Versions

| Range    | Mounting type                       | Type           |   | Part number |
|----------|-------------------------------------|----------------|---|-------------|
| 0/25 bar | 3-hole fixing, panel mounting bezel | RF50ChGly D732 | ● | 85067732    |

- in-stock items
- Non-stock items