



## Bourdon tube pressure gauge RF80KTGly

Part no. 85180701

Standard Bourdon tube pressure gauges for refrigeration engineering type D7 with glycerine filling

### benefits

- can be used in case of heavy vibrations and high, dynamic pressure loads
- longer service life due to less wear and corrosion protection of the measuring system
- various refrigerants measurable with multiple scales
- DNV- and GOSSTANDART-certified

### Application

For simultaneous measurement of vapour pressures and temperatures in refrigeration engineering.  
! For measuring gas or vapour, observe the table "Selection Criteria as per EN 837-2" (see appendix)!

### Technical Specifications

#### Type

D7

#### Nominal size

80

#### accuracy class

EN 837-1/6

NG 80

1.0

#### ranges

-1/+9 bar

#### temperature scales

for cooling agent: R 134a,

R 290,

R 404A,

R 407A,

R 507,

R 744

#### application area

static load:  $\frac{3}{4}$  x full scale value

dynamic load:  $\frac{2}{3}$  x full scale value

short-term: Full scale value

#### Operating temperature range

Medium: according to cooling agent

Ambient: -20/+60 °C

#### Temperature performance

Indication error when the temperature of the measuring system deviates from the normal temperature of 20 °C:

at rising temperature approx.  $\pm 0.4$  %/10 K

falling temperature approx.  $\pm 0.4$  %/10 K

of full scale value

#### Degree of protection

IP 54 (EN 60529) with housing vent ( $\leq 25$  bar)

#### Connection

Brass, bottom

7/16-20 UNF

**Measuring element**

Bourdon tube, Copper alloy  
"C" type tube

**movement**

Brass

**Dial**

Aluminium, white  
pressure dial marking: black  
temperature dial marking: coloured

**Pointer**

Aluminium, black

**Housing**

Stainless steel 304, with blow-out

**crimped bezel**

Stainless steel 304

**window**

Plastic

**filling liquid**

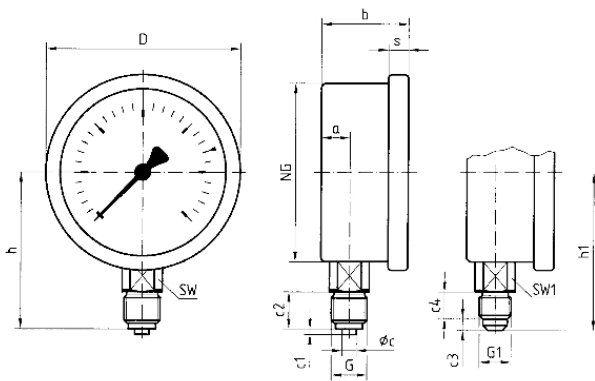
glycerine (99.5 %)

**Options**

- Temperature scales for other refrigerants
- back flange
- clamp fixing
- 3-hole fixing, panel mounting bezel (NG 63/100)
- throttle screw
- special scales
- other process connections
- 7/16 – 20 UNF SAE J513 (45°)

**Technical Drawings**

**Bottom connection**



**Dimensions (mm)**

NG	a	b	φc	c1	c2	c3	c4	D	G	G1	h	h1	s	S	SW1
63	9,5	30,5	5	2	13	4	9,5	68	G 1/2"	16-20	53	55	7	14	14
UNF															
80	12,2	33,5	6	3	20	4	9,5	85	G 3/4"	16-20	71	62,5	7	22	14
UNF															
100	12,2	33,5	6	3	20	4	9,5	106	G 1"	16-20	81	72,5	7	22	14
UNF															

## Versions

Range	Mounting type	Type		Part number
-1/+9 bar	direct	RF80KTGly D701	<input type="radio"/>	85180701

- in-stock items
- Non-stock items