



## Bourdon tube pressure gauge RF63KTGly

Part no. 85132711

Standard Bourdon tube pressure gauges for refrigeration engineering type D7 with glycerine filling

### benefits

- can be used in case of heavy vibrations and high, dynamic pressure loads
- longer service life due to less wear and corrosion protection of the measuring system
- various refrigerants measurable with multiple scales
- DNV- and GOSSTANDART-certified

### Application

For simultaneous measurement of vapour pressures and temperatures in refrigeration engineering.  
! For measuring gas or vapour, observe the table "Selection Criteria as per EN 837-2" (see appendix)!

### Technical Specifications

**Type**  
D7

**Nominal size**  
63

**accuracy class**  
EN 837-1/6  
NG 63  
1.6

**ranges**  
-1/+15 bar

**temperature scales**  
for cooling agent: R 134a,  
R 290,  
R 404A,  
R 407A,  
R 507,  
R 744

### application area

static load:  $\frac{3}{4}$  x full scale value  
dynamic load:  $\frac{2}{3}$  x full scale value  
short-term: Full scale value

### Operating temperature range

Medium: according to cooling agent  
Ambient: -20/+60 °C

### Temperature performance

Indication error when the temperature of the measuring system deviates from the normal temperature of 20 °C:  
at rising temperature approx.  $\pm 0.4$  %/10 K  
falling temperature approx.  $\pm 0.4$  %/10 K  
of full scale value

### Degree of protection

IP 54 (EN 60529) with housing vent ( $\leq 25$  bar)

### Connection

Brass, centre back  
7/16-20 UNF

### Measuring element

Bourdon tube, Copper alloy  
"C" type tube

**movement**

Brass

**Dial**

Aluminium, white  
 pressure dial marking: black  
 temperature dial marking: coloured

**Pointer**

Aluminium, black

**Housing**

Stainless steel 304, with blow-out

**crimped bezel**

Stainless steel 304

**window**

Plastic

**filling liquid**

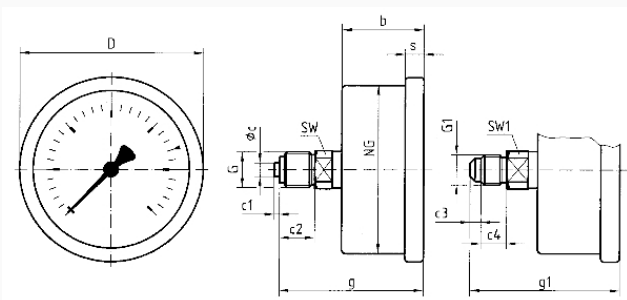
glycerine (99.5 %)

**Options**

- Temperature scales for other refrigerants
- back flange
- clamp fixing
- 3-hole fixing, panel mounting bezel (NG 63/100)
- throttle screw
- special scales
- other process connections
- 7/16 – 20 UNF SAE J513 (45°)

**Technical Drawings**

**Centre back connection**



**Dimensions (mm)**

NG	b	∅c	c1	c2	c3	c4	D	g	g1	G	G1	s	SWSW1
63	30,5	5	2	13	4	9,5	68	53,5	55,5	5G1/8	B16-207	14	14
											UNF		
80	33,5	6	3	20	4	9,5	85	65,5	58,5	5G1/8	B16-207	22	14
											UNF		
100	33,5	6	3	20	4	9,5	106	65,5	58,5	5G1/8	B16-207	22	14
											UNF		

## Versions

Range	Mounting type	Type		Part number
-1/+15 bar	direct	RF63KTGly D711	<input type="radio"/>	85132711

- in-stock items
- Non-stock items