



Bourdon tube pressure gauge RF100KTGLy

Part no. 85232711

Standard Bourdon tube pressure gauges for refrigeration engineering type D7 with glycerine filling

benefits

- can be used in case of heavy vibrations and high, dynamic pressure loads
- longer service life due to less wear and corrosion protection of the measuring system
- various refrigerants measurable with multiple scales
- DNV- and GOSSTANDART-certified

Application

For simultaneous measurement of vapour pressures and temperatures in refrigeration engineering.
! For measuring gas or vapour, observe the table "Selection Criteria as per EN 837-2" (see appendix)!

Technical Specifications

Type
D7

Nominal size
100

accuracy class
EN 837-1/6
NG 100
1.0

ranges
-1/+15 bar

temperature scales
for cooling agent: R 134a,
R 290,
R 404A,
R 407A,
R 507,
R 744

application area

static load: $\frac{3}{4}$ x full scale value
dynamic load: $\frac{2}{3}$ x full scale value
short-term: Full scale value

Operating temperature range

Medium: according to cooling agent
Ambient: -20/+60 °C

Temperature performance

Indication error when the temperature of the measuring system deviates from the normal temperature of 20 °C:
at rising temperature approx. ± 0.4 %/10 K
falling temperature approx. ± 0.4 %/10 K
of full scale value

Degree of protection

IP 54 (EN 60529) with housing vent (≤ 25 bar)

Connection

Brass, centre back
7/16-20 UNF

Measuring element

Bourdon tube, Copper alloy
"C" type tube

movement
Brass

Dial
Aluminium, white
pressure dial marking: black
temperature dial marking: coloured

Pointer
Aluminium, black

Housing
Stainless steel 304, with blow-out

crimped bezel
Stainless steel 304

window
Plastic

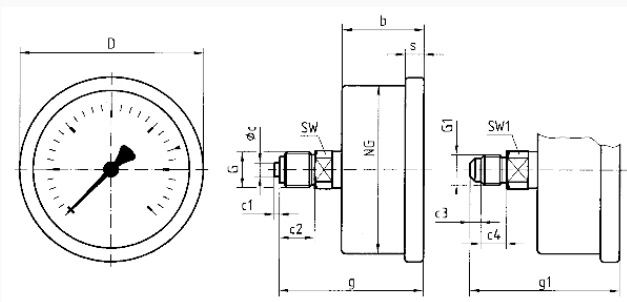
filling liquid
glycerine (99.5 %)

Options

- Temperature scales for other refrigerants
- back flange
- clamp fixing
- 3-hole fixing, panel mounting bezel (NG 63/100)
- throttle screw
- special scales
- other process connections
- 7/16 – 20 UNF SAE J513 (45°)

Technical Drawings

Centre back connection



Dimensions (mm)

| NG | b | ∅c | c1 | c2 | c3 | c4 | D | g | g1 | G | G1 | s | SWSW1 |
|-----|------|----|----|----|----|-----|-----|------|------|-------|---------|----|-------|
| 63 | 30,5 | 5 | 2 | 13 | 4 | 9,5 | 68 | 53,5 | 55,5 | 5G1/8 | B16-207 | 14 | 14 |
| | | | | | | | | | | | | | UNF |
| 80 | 33,5 | 6 | 3 | 20 | 4 | 9,5 | 85 | 65,5 | 58,5 | 5G1/8 | B16-207 | 22 | 14 |
| | | | | | | | | | | | | | UNF |
| 100 | 33,5 | 6 | 3 | 20 | 4 | 9,5 | 106 | 65,5 | 58,5 | 5G1/8 | B16-207 | 22 | 14 |
| | | | | | | | | | | | | | UNF |

Versions

| Range | Mounting type | Type | | Part number |
|------------|---------------|--------------------|---|-------------|
| -1/+15 bar | direct | RF100KTGly D711 | ● | 85232711 |

- in-stock items
- Non-stock items