



Bourdon tube pressure gauge RF100KTGLy

Part no. 85231802

Standard Bourdon tube pressure gauges for refrigeration engineering type D8 with glycerine filling

benefits

- can be used in case of heavy vibrations and high, dynamic pressure loads
- longer service life due to less wear and corrosion protection of the measuring system
- various refrigerants measurable with multiple scales
- DNV- and GOSSTANDART-certified

Application

For simultaneous measurement of vapour pressures and temperatures in refrigeration engineering.
! For measuring gas or vapour, observe the table "Selection Criteria as per EN 837-2" (see appendix)!

Technical Specifications

Type
D8

Nominal size
100

accuracy class (EN 837-1/6)
1.0

ranges
-1/+12.5 bar

temperature scales
for cooling agent: R 717 (NH₃)

application area
static load: ¼ x full scale value
dynamic load: ⅔ x full scale value
short-term: Full scale value

Operating temperature range
Medium: according to cooling agent
Ambient: -20/+60 °C

Temperature performance
Indication error when the temperature of the measuring system deviates from the normal temperature of 20 °C:
at rising temperature approx. ± 0.4 %/10 K
falling temperature approx. ± 0.4 %/10 K
of full scale value

Degree of protection
IP 54 (EN 60529)

Connection
stainless steel 316 Ti/316 L, bottom
G½B

Measuring element
Bourdon tube, stainless steel 316 Ti/316 L
"C" type tube

movement
Brass

Dial
Aluminium, white
pressure dial marking: black
temperature dial marking: coloured

Pointer
Aluminium, black

Housing
Stainless steel 304, with blow-out

crimped bezel
Stainless steel 304

window
Plastic

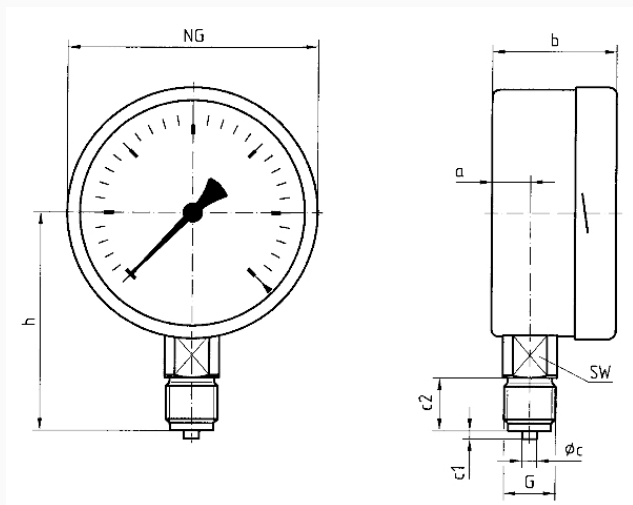
filling liquid
glycerine (99.5 %)

Options

- Temperature scales for other refrigerants
- back flange
- clamp fixing
- 3-hole fixing, panel mounting bezel (NG 63/100)
- throttle screw
- special scales
- other process connections
- 7/16 – 20 UNF SAE J513 (45°)

Technical Drawings

Bottom connection



Dimensions (mm)

NG	a	b	∅c	c1	c2	G	h	SW
100	15,6	49	6	3	20	G½B	86	22

Versions

Range	Mounting type	Type		Part number
-1/+12.5 bar	direct	RF100KTGly D802	<input type="radio"/>	85231802

- in-stock items
- Non-stock items