



## Bourdon tube pressure gauge RF100KTGLy

Part no. 85233802

Standard Bourdon tube pressure gauges for refrigeration engineering type D8 with glycerine filling

### benefits

- can be used in case of heavy vibrations and high, dynamic pressure loads
- longer service life due to less wear and corrosion protection of the measuring system
- various refrigerants measurable with multiple scales
- DNV- and GOSSTANDART-certified

### Application

For simultaneous measurement of vapour pressures and temperatures in refrigeration engineering.  
! For measuring gas or vapour, observe the table "Selection Criteria as per EN 837-2" (see appendix)!

### Technical Specifications

**Type**  
D8

**Nominal size**  
100

**accuracy class (EN 837-1/6)**  
1.0

**ranges**  
-1/+24 bar

**temperature scales**  
for cooling agent: R 717 (NH<sub>3</sub>)

**application area**  
static load: ¼ x full scale value  
dynamic load: ⅔ x full scale value  
short-term: Full scale value

**Operating temperature range**  
Medium: according to cooling agent  
Ambient: -20/+60 °C

**Temperature performance**  
Indication error when the temperature of the measuring system deviates from the normal temperature of 20 °C:  
at rising temperature approx. ± 0.4 %/10 K  
falling temperature approx. ± 0.4 %/10 K  
of full scale value

**Degree of protection**  
IP 54 (EN 60529)

**Connection**  
stainless steel 316 Ti/316 L, bottom  
G½B

**Measuring element**  
Bourdon tube, stainless steel 316 Ti/316 L  
"C" type tube

**movement**  
Brass

**Dial**  
Aluminium, white  
pressure dial marking: black  
temperature dial marking: coloured

**Pointer**  
Aluminium, black

**Housing**  
Stainless steel 304, with blow-out

**crimped bezel**  
Stainless steel 304

**window**  
Plastic

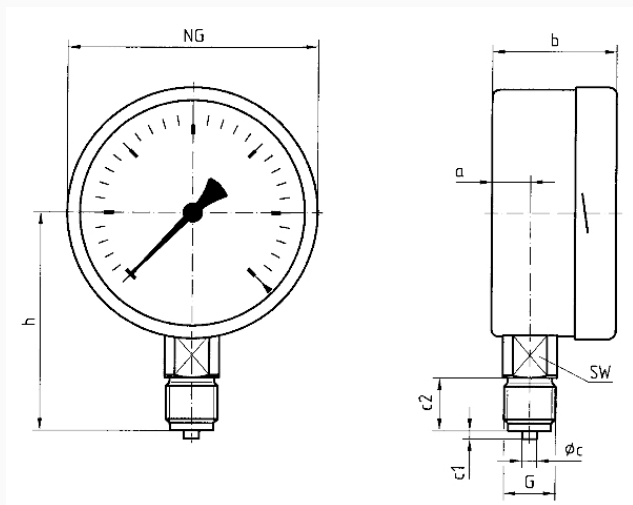
**filling liquid**  
glycerine (99.5 %)

**Options**

- Temperature scales for other refrigerants
- back flange
- clamp fixing
- 3-hole fixing, panel mounting bezel (NG 63/100)
- throttle screw
- special scales
- other process connections
- 7/16 – 20 UNF SAE J513 (45°)

**Technical Drawings**

**Bottom connection**



**Dimensions (mm)**

NG	a	b	øc	c1	c2	G	h	SW
100	15,6	49	6	3	20	G½B	86	22

## Versions

Range	Mounting type	Type	Part number
-1/+24 bar	direct	RF100KTGly D802	85233802

- in-stock items
- Non-stock items