



## Bourdon tube safety pressure gauges RF100SiGly

Part no. 85471802

Bourdon tube safety pressure gauges Type D8 with glycerine filling

### benefits

- Safety housing S3 as per EN 837-1/9.7.2
- measuring system fully welded to housing
- tightness-tested with helium
- DNV- and GOSSTANDART-certified
- Ex version (optional)

### Application

For corrosive gaseous and liquid media which are not highly viscous and do not crystallise; suitable for corrosive environments. This gauge is designed for applications as per EN 837-1/9.7.2.

### Technical Specifications

#### Type

D8

#### Nominal size

100

#### accuracy class

EN 837-1/6

NG 100

1.0

#### ranges (EN 837-1/5)

see ordering table

#### application area

≤ 600 bar: Full scale value

> 600 bar: ¼ x full scale value

≤ 600 bar: 0.9 x full scale value

> 600 bar: ⅔ x full scale value

≤ 600 bar: 1.3 x full scale value

> 600 bar: Full scale value

#### Operating temperature range

Medium: max. 100 °C

Ambient: -20/+60 °C

#### Degree of protection

IP 54 (EN 60529)

#### Connection

Stainless steel 316 L, bottom

#### Measuring element

Bourdon tube, Stainless steel 316 L

tightness-tested with helium

#### movement

Stainless steel

#### Dial

Aluminium, white

Scaling: black

**Pointer**

Aluminium, black

**window**

Laminated safety glass

**Housing**

Stainless steel 304, with solid baffle wall and blow-out (S3)

**filling liquid**

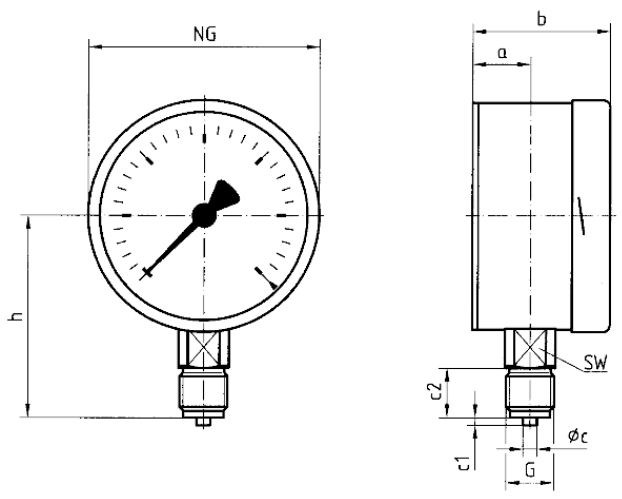
glycerine (99.5 %)

**bayonet bezel**

Stainless steel 304

**Technical Drawings**

**NG 100/160 – bottom connection**



**Dimensions (mm)**

NG	a	b	Øc	c1	c2	G	h	SW
100	27	60	6	3	20	G½B	86	22
160	40	78	6	3	20	G½B	118	22

**Versions**

Range	Mounting type	Type	Part number
0/160 bar	direct	RF100SiGly D802	85471802

- in-stock items
- Non-stock items