

## Bourdon tube pressure gauges for industrial applications RF100I MK1

Part no. 87620401

Bourdon tube pressure gauges for industrial applications with electrical contact type D4



### benefits

- robust stainless steel housing
- excellent readability
- Up to four switching contacts
- available with MK, EK, IK

### Application

For gaseous and liquid media which are not highly viscous, do not crystallise and do not attack copper alloys.

### Technical Specifications

**Type**  
D4

**Nominal size**  
100

**accuracy class (EN 837-1/6)**  
1.0

**ranges (EN 837-1/5)**  
see ordering table

**application area**  
 $\leq 600$  bar: Full scale value  
 $> 600$  bar:  $\frac{3}{4}$  x full scale value  
 $\leq 600$  bar: 0.9 x full scale value  
 $> 600$  bar:  $\frac{2}{3}$  x full scale value  
 $\leq 600$  bar: 1.3 x full scale value  
 $> 600$  bar: Full scale value

**contact types**  
Magnetic spring contact (MK)

**minimum range**  
MK Single  
1.6 bar

**Operating temperature range**  
Medium: max. 60 °C  
Ambient: -20/+60 °C

**Temperature performance**  
Indication error when the temperature of the measuring system deviates from the normal temperature of 20 °C:  
at rising temperature approx.  $\pm 0.4$  %/10 K  
falling temperature approx.  $\pm 0.4$  %/10 K  
of full scale value

**Degree of protection**  
IP 54 (EN 60529)

**Connection**  
Brass, bottom  
G $\frac{1}{2}$ B, SW22 (EN 837-1/7.3)

**Electrical connection**

Cable gland M12 x 1.5  
Cable 1 m

**Measuring element**

Bourdon tube  
≤ 60 bar: "C" type tube, Copper alloy  
> 60 bar: helical tube, stainless steel 316 Ti/316 L

**movement**

Brass

**Dial**

Aluminium, white  
Scaling: black

**Pointer**

Aluminium, black

**Housing**

Stainless steel 304, with blow-out

**bayonet bezel**

Stainless steel 304

**window**

Plastic (Makrolon), with contact adjustment lock

**Options**

- back flange
- 3-hole fixing, panel mounting bezel
- throttle screw
- Junction box
- Connector
- special scales
- other process connections

**Supply voltage**

max. AC/DC 250 V

**Making current and breaking current**

max. 1 A

**Continuous current**

max. 0.6 A

**Switch rating**

max. 50 VA, max. 30 W

**Contact**

Ag80 Ni20 Au 10 µm

**Switching accuracy**

approx. 2–5 % of full scale value

**Operating temperature range**

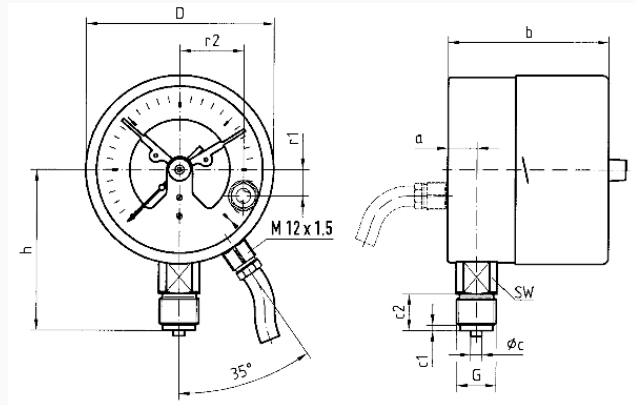
-20/+70 °C or corresponding to the respective measuring instruments

**Adjustment range**

5–95 % measuring range of gauge

**Technical Drawings**

**Bottom connection**



**Dimensions (mm)**

NG	a	b	b1	ØC	c1	c2	D	G	h	r1	r2	SW
100	15,6	87	90,5	6	3	20	101,5G½B	86	14	14	34,5	22
160	17,5	97	100	6	3	20	161,5G½B	116	14	14	34,5	22

**Versions**

Range	Mounting type	Type	Part number
0/100 bar	direct	RF100I MK1 D401	87620401

- in-stock items
- Non-stock items