

Bourdon tube pressure gauge RF63RG IK1

Part no. 87270302

Bourdon tube pressure gauge

Technical Specifications

Type
D3

Nominal size
63

accuracy class (EN 837-1/6)
1.6

ranges (EN 837-1/5)
see ordering table

Calibration medium
Nitrogen or dried air

application area
static load: $\frac{3}{4}$ x full scale value
dynamic load: $\frac{2}{3}$ x full scale value
short-term: Full scale value

Contact type
inductive contact (IK) Single

Operating temperature range
Medium: max. 150 °C
Ambient: -20/+60 °C

Temperature performance

Indication error when the temperature of the measuring system deviates from the normal temperature of 20 °C:
at rising temperature approx. ± 0.4 %/10 K
falling temperature approx. ± 0.4 %/10 K
of full scale value

Degree of protection
IP 32 (EN 60529)

Connection
stainless steel 316 Ti/316 L, bottom

Measuring element
Bourdon tube, stainless steel 316 Ti/316 L
 ≤ 60 bar: "C" type tube
> 60 bar: helical tube

wetted parts
cleaned,
flushed with nitrogen,
electropolished,
surface roughness $\leq R_a 0.6 \mu\text{m}$

movement
Stainless steel

Dial

Aluminium, white
 Scaling: black
 label: ultra-pure gas

Pointer

Aluminium, black

Housing

Stainless steel 304 back blow-out

push on bezel

Stainless steel 304, bare metal surface

window

Plastic

Supply voltage

DC 5 V DC 25 V

Current input

≥ 2.1 mA

Switching accuracy

approx. 0.5 % of full scale value

Operating temperature range

-20/+70 °C or corresponding to the respective measuring instruments

Adjustment range

5–95 % measuring range of gauge

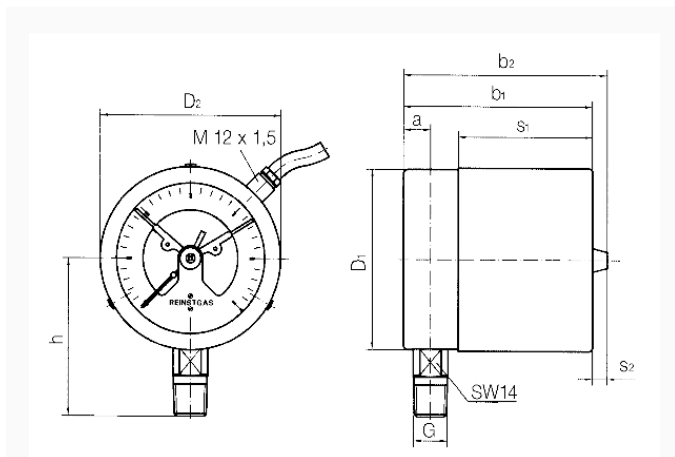
Options

- contact systems with safety integrity level SIL 2

Options

- surface roughness R_a 0.4 μ m
- Housing polished
- Push on bezel polished
- Electrical contacts
- NG 50
- special scales
- other process connections

Technical Drawings



Dimensions (mm)

| NG | a | b | $\varnothing c$ | c1 | c2 | D | G | h | s | s1 | SW |
|----|-----|----|-----------------|----|----|----|-------------------|----|------|----|----|
| 63 | 9,5 | 66 | 5 | 2 | 13 | 64 | G $\frac{1}{4}$ B | 46 | 47,5 | 8 | 14 |

Versions

| Range | Mounting type | Type | Part number |
|-----------|---------------|--------------------|-------------|
| 0/100 bar | direct | RF63RG IK1 D302 | 87270302 |

- in-stock items
- Non-stock items