



Standard diaphragm pressure gauges PF100

Part no. 85904401

Standard diaphragm pressure gauges Type D4

benefits

- for low pressure ranges
- high overpressure safety
- robust design
- optional flange connections

Application

For non-corrosive gaseous and liquid media. With open connection flange also suitable for viscous and polluted media. For measuring gas or vapour, observe the table "Selection Criteria as per EN 837-2" (see appendix)!

Technical Specifications

Type

D4

Nominal size

100

accuracy class (EN 837-3/6)

1.6

ranges (EN 837-3/5)

see ordering table

application area

static load: Full scale value

dynamic load: 0.9 x full scale value

Overpressure safety

≤ 0.4 bar

at least 1.3 x FS

Operating temperature range

Medium: max. 100 °C

Ambient: -20/+60 °C

Temperature performance

Indication error when the temperature of the measuring system deviates from the normal temperature of 20 °C:

at rising temperature approx. ± 0.8 %/10 K

falling temperature approx. ± 0.8 %/10 K

of full scale value

Degree of protection

IP 54 (EN 60529)

Connection

Steel, bottom

G½B, SW22 (EN 837-3/7.3)

lower measuring flange

steel, galvanised

upper measuring flange
Stainless steel 304

Measuring element
diaphragm
Measuring flange
Stainless steel 316 L

Seal
NBR (Perbunan)

movement
Brass

Dial
Aluminium, white
Scaling: black

Pointer
Aluminium, black

Housing
Stainless steel 304, with blow-out

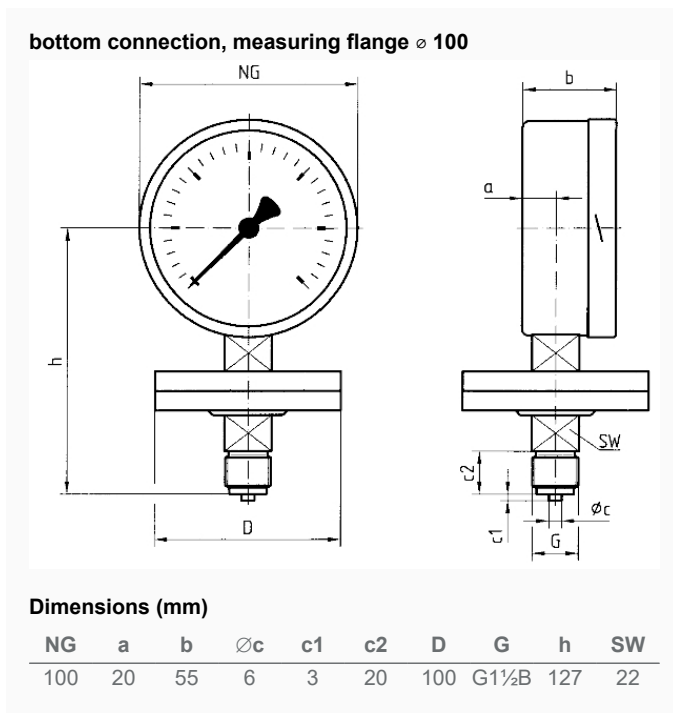
bayonet bezel
Stainless steel 304

window
Instrument glass

Options

- Safety housing
- Overpressure safety 10 x FSD (measuring flange \varnothing 100 to max. 40 bar, measuring flange \varnothing 160 to max. 2.5 bar)
- Glycerine filling (\geq 40 mbar, \leq 250 mbar accuracy class 2.5)
- Electrical contacts
- wetted parts with special coating
- open connection flanges as per EN/ASME

Technical Drawings



Versions

Range	Mounting type	Type		Part number
0/40 mbar	direct	PF100 D401	<input type="radio"/>	85904401

- in-stock items
- Non-stock items