



Standard diaphragm pressure gauges PF100

Part no. 85905401

Standard diaphragm pressure gauges Type D4

benefits

- for low pressure ranges
- high overpressure safety
- robust design
- optional flange connections

Application

For non-corrosive gaseous and liquid media. With open connection flange also suitable for viscous and polluted media. For measuring gas or vapour, observe the table "Selection Criteria as per EN 837-2" (see appendix)!

Technical Specifications

Type
D4

Nominal size
100

accuracy class (EN 837-3/6)
1.6

ranges (EN 837-3/5)
see ordering table

application area
static load: Full scale value
dynamic load: 0.9 x full scale value

Overpressure safety
≤ 0.4 bar
at least 1.3 x FS

Operating temperature range

Medium: max. 100 °C
Ambient: -20/+60 °C

Temperature performance

Indication error when the temperature of the measuring system deviates from the normal temperature of 20 °C:
at rising temperature approx. ± 0.8 %/10 K
falling temperature approx. ± 0.8 %/10 K
of full scale value

Degree of protection

IP 54 (EN 60529)

Connection

Steel, bottom
G½B, SW22 (EN 837-3/7.3)

lower measuring flange

steel, galvanised

upper measuring flange
Stainless steel 304

Measuring element
diaphragm
Measuring flange
Stainless steel 316 L

Seal
NBR (Perbunan)

movement
Brass

Dial
Aluminium, white
Scaling: black

Pointer
Aluminium, black

Housing
Stainless steel 304, with blow-out

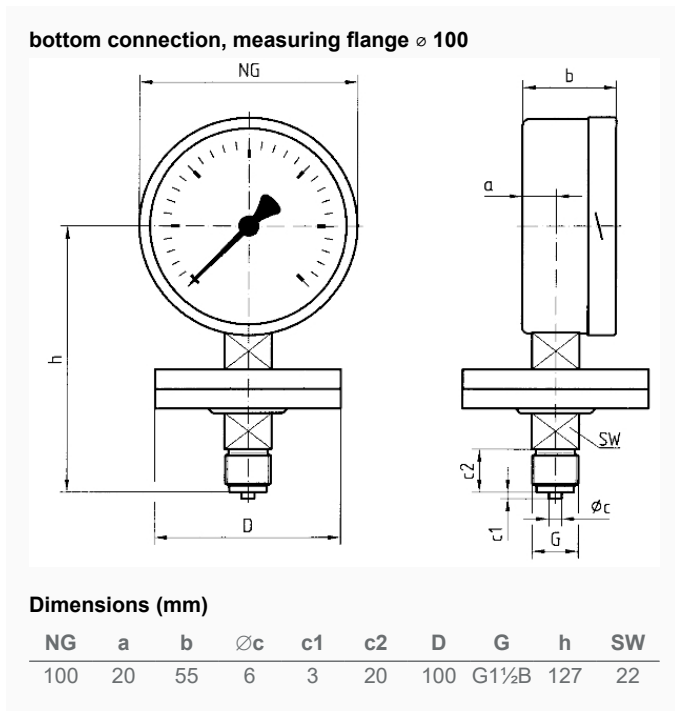
bayonet bezel
Stainless steel 304

window
Instrument glass

Options

- Safety housing
- Overpressure safety 10 x FSD (measuring flange \varnothing 100 to max. 40 bar, measuring flange \varnothing 160 to max. 2.5 bar)
- Glycerine filling (\geq 40 mbar, \leq 250 mbar accuracy class 2.5)
- Electrical contacts
- wetted parts with special coating
- open connection flanges as per EN/ASME

Technical Drawings



Versions

Range	Mounting type	Type	Part number
0/60 mbar	direct	PF100 D401	85905401

- in-stock items
- Non-stock items