



## Stainless steel diaphragm pressure gauges PF100E

Part no. 85887402

Stainless steel diaphragm pressure gauge type D4

### benefits

- robust and compact design
- various process connections possible
- flush mounted versions without transmission liquid
- wetted area without seals due to welding
- GOSSTANDART-certified

### Application

For corrosive gaseous and liquid media, also for use in corrosive environments. With open connection flange also suitable for viscous and polluted media; with hygienic connections specially suitable for pharmaceutical processes. For measuring gas or vapour, observe the table "Selection Criteria as per EN 837-2" (see appendix)!

### Technical Specifications

**Type**  
D4

**Nominal size**  
100

**accuracy class (EN 837-3/6)**  
1.6

**ranges (EN 837-3/5)**  
see ordering table

**application area**  
static load: Full scale value  
dynamic load: 0.9 x full scale value

**Overpressure safety**  
≤ 6 bar  
at least 5 x FS

### Operating temperature range

Medium: max. 100 °C  
Ambient: -20/+60 °C

### Temperature performance

Indication error when the temperature of the measuring system deviates from the normal temperature of 20 °C:  
at rising temperature approx. ± 0.8 %/10 K  
falling temperature approx. ± 0.8 %/10 K  
of full scale value

### Degree of protection

IP 54 (EN 60529)

### Connection

stainless steel 316 Ti/316 L, bottom  
G½B, SW22 ( )

### lower measuring flange

stainless steel 316 Ti/316 L

**upper measuring flange**  
Stainless steel 316 L

**Measuring element**  
diaphragm  
≤ 2.5 bar  
stainless steel 316 Ti/316 L

**movement**  
Stainless steel

**Dial**  
Aluminium, white  
Scaling: black

**Options**

- Glycerine filling (≥ 1 bar)
- wetted parts with special coating
- clamp connection
- Varivent or BioControl connection
- flush mounted connection flanges as per EN
- open connection flanges as per EN/ANSI
- Electrical contacts (≥ 0/0.6 bar)
- other connection threads

**Pointer**  
Aluminium, black

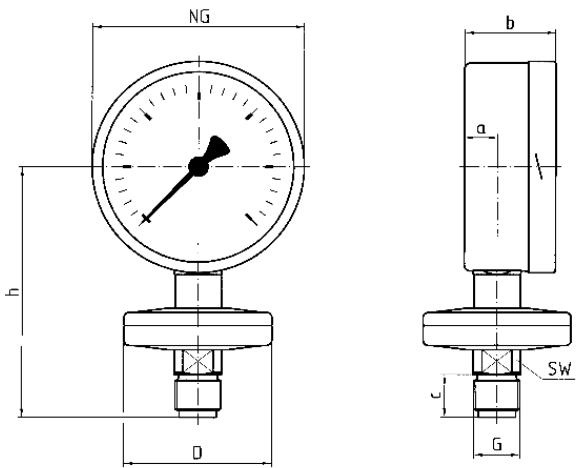
**Housing**  
Stainless steel 304, with blow-out

**bayonet bezel**  
Stainless steel 304

**window**  
Laminated safety glass

**Technical Drawings**

**Bottom connection, 0/100 mbar to 0/2.5 bar**



**Dimensions (mm)**

**Dimensions (mm)**

NG	a	b	c	D	G	h	SW
100	15,6	49	20	69	G½B	117	22
160	17,5	50	20	69	G½B	148	22

## Versions

Range	Mounting type	Type		Part number
0/160 mbar	direct	PF100E D402	●	85887402

- in-stock items
- Non-stock items