



## Standard diaphragm pressure gauges PF100Gly

Part no. 85918801

Standard diaphragm pressure gauges Type D8 with glycerine filling

### benefits

- Overpressure safety 10 bar
- smallest ranges
- robust and compact design
- wetted area without seals due to welding
- Ex version (optional)

### Technical Specifications

**Type**  
D8

**Nominal size**  
100

**accuracy class (EN 837-3/6)**  
1.6

**ranges (EN 837-3/5)**  
see ordering table

**application area**  
static load: Full scale value  
dynamic load: 0.9 x full scale value

**Overpressure safety**  
≥ 10 bar  
max. 40 bar

**Operating temperature range**  
Medium: max. 100 °C  
Ambient: -20/+60 °C

### Temperature performance

Indication error when the temperature of the measuring system deviates from the normal temperature of 20 °C:  
at rising temperature approx. ± 0.8 %/10 K  
falling temperature approx. ± 0.8 %/10 K  
of full scale value

**Degree of protection**  
IP 54 (EN 60529)

**Connection**  
Steel, bottom  
G½B, SW22 (EN 837-3/7.3)

**lower measuring flange**  
Steel

**upper measuring flange**  
Stainless steel 304

**Measuring element**  
diaphragm  
measuring flange ø 100, ≥ 0/2.5 bar  
steel, galvanised

**Seal**  
NBR (Perbunan)

**movement**  
Brass

**Dial**  
Aluminium, white  
Scaling: black

**Pointer**  
Aluminium, black

**Housing**  
Stainless steel 304, with blow-out

**bayonet bezel**  
Stainless steel 304

**window**  
Instrument glass

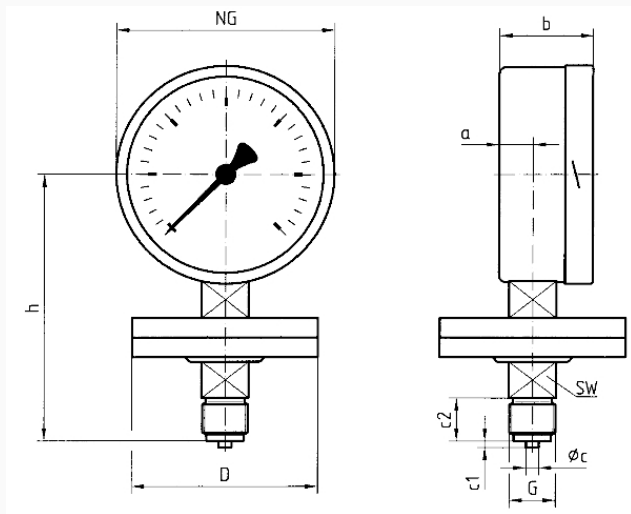
**filling liquid**  
Glycerine

**Options**

- Safety housing
- Overpressure safety 10 x FSD (measuring flange  $\varnothing$  100 to max. 40 bar, measuring flange  $\varnothing$  160 to max. 2.5 bar)
- Glycerine filling ( $\geq$  40 mbar,  $\leq$  250 mbar accuracy class 2.5)
- Electrical contacts
- wetted parts with special coating
- open connection flanges as per EN/ASME

**Technical Drawings**

**bottom connection, measuring flange  $\varnothing$  100**



**Dimensions (mm)**

| NG  | a  | b  | $\varnothing c$ | c1 | c2 | D   | G    | h   | SW |
|-----|----|----|-----------------|----|----|-----|------|-----|----|
| 100 | 20 | 55 | 6               | 3  | 20 | 100 | G1½B | 127 | 22 |

## Versions

| Range    | Mounting type | Type             |                       | Part number |
|----------|---------------|------------------|-----------------------|-------------|
| 0/25 bar | direct        | PF100Gly<br>D801 | <input type="radio"/> | 85918801    |

- in-stock items
- Non-stock items