



## Standard capsule pressure gauges KP100Dif

Part no. 35564401

Standard capsule pressure gauges for differential pressure type D4

### benefits

- Measurement of extremely small differential pressures
- robust design
- static pressures up to 400 mbar
- direct indication of the differential pressure
- many customised versions available

### Application

For differential pressure measurement of non-corrosive, gaseous, dry media. Especially suitable for filter loss measurement in air conditioning and ventilation applications.

! For measuring gas or vapour, observe the table "Selection Criteria as per EN 837-2" (see appendix)!

### Technical Specifications

**Type**  
D4

**Nominal size**  
100

**Function**  
The "plus" pressure (= high pressure) is applied to the inside of the diaphragm. The "minus" pressure (= low pressure) is applied to the inside of the pressure-tight housing. The pressure difference causes the diaphragm to change its shape, thus generating the movement required to measure the pressure. This displacement is picked up by the movement. The differential pressure is directly indicated by a pointer.

**accuracy class**  
EN 837-3/6  
≤ 0/16 mbar  
4.0

**ranges (EN 837-3/5)**  
see ordering table

**application area**  
static load: Full scale value  
dynamic load: 0.9 x full scale value

**Overpressure safety**  
Full scale value

**maximum static pressure**  
400 mbar

**Operating temperature range**  
Medium: max. 60 °C  
Ambient: -20/+60 °C

**Temperature performance**

Indication error when the temperature of the measuring system deviates from the normal temperature of 20 °C:  
at rising temperature approx.  $\pm 0.6 \%$ /10 K  
falling temperature approx.  $\pm 0.6 \%$ /10 K  
of full scale value

**Degree of protection**

IP 66 (EN 60529)

**Connection**

stainless steel 316 Ti/316 L  
bottom, parallel, one behind the other  
2 x G $\frac{1}{2}$ B, SW22 (EN 837-3/7.3)

**Measuring element (wetted part)**

Capsule element, CuBe alloy

**Movement (wetted part)**

Brass

**Options**

- back flange
- 3-hole fixing, panel mounting bezel
- hose connections
- special scales
- other process connections

**Zero correction**

from the front

**Seal (wetted part)**

NBR (Perbunan)

**Dial (wetted part)**

Aluminium, white  
Scaling: black

**Pointer (wetted part)**

Aluminium, black

**Housing (wetted part)**

Stainless steel 304

**bayonet bezel**

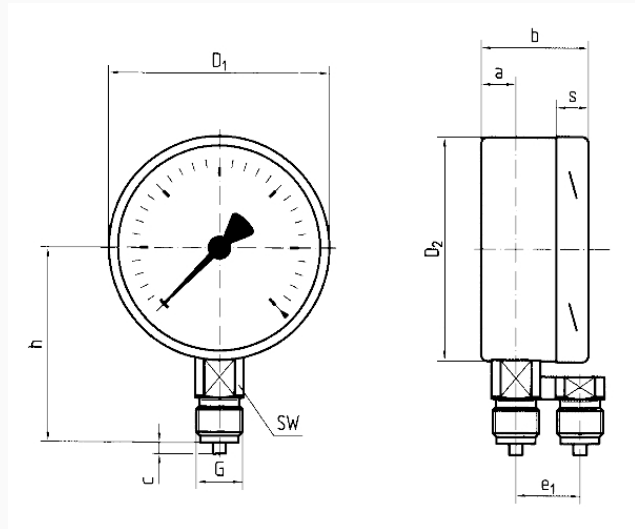
Stainless steel 304

**Window (wetted part)**

Plastic (PMMA)

**Technical Drawings**

**NG 100/160 – bottom connection**



**Dimensions (mm)**

NG	a	b	c	D1	D2	e1	G	h	s	SW
100	16	49	3	101	99	32	G½B	86	20	22
160	16	49	3	161	159	32	G½B	118	20	22

**Versions**

	housing ø	Housing	accuracy class	Connec- tion	Ausrich- tung	Range	Type	Part no.
KP100Dif	D401	100 mm	Stain- less steel 304	4.0	2 x G½B	0/10 mbar	KP100Dif D401	● 35564401

- in-stock items
- Non-stock items