



## Standard spring-diaphragm pressure gauges MF100Dif

**Part no. 88088401**

**Standard spring-diaphragm pressure gauges for differential pressure - overload protected**

### benefits

- direct indication of the differential pressure
- high overload protection
- Zero correction
- with integrated pressure damping

### Application

For differential pressure measurement at low differential pressure and high static pressure. For non-corrosive gaseous and liquid media which are not highly viscous. Particularly suitable for monitoring filters, pumps and pipe systems.

### Technical Specifications

**Type**  
MF100Dif D401

**Nominal size**  
100

**Function**  
The pressures act on two pressure chambers separated by an elastic diaphragm. If there are different pressures in the chambers, the diaphragm is axially displaced against a compression spring. This is transmitted to the movement by means of a rod. The differential pressure is directly indicated by a pointer. The diaphragm is held by a metallic support which results in an overpressure safety of up to 25 bar at both sides.

**accuracy class (EN 837-3/6)**  
2.5

**ranges**  
see ordering table

**maximum static pressure**  
25 bar

**Overpressure safety**  
up to the maximum static pressure at both ends

**Operating temperature range**  
Medium: max. 60 °C  
Ambient: -20/+60 °C

**Temperature performance**  
Indication error when the temperature of the measuring system deviates from the normal temperature of 20 °C:  
at rising temperature approx. ± 0.5 %/10 K  
falling temperature approx. ± 0.5 %/10 K  
of full scale value

**Degree of protection**  
IP 54 (EN 60529)

**Connection**  
Brass nickel-plated  
bottom, parallel, one behind the other

**Measuring element**  
Compression spring, Stainless steel 301

**diaphragm**  
FKM (Viton)

**Measuring flange**

Aluminium, anodized

**movement**

Brass

**Dial**

Aluminium, white

Scaling: black

**Pointer**

Aluminium, black

**Housing**

Stainless steel 304

**bayonet bezel**

Stainless steel 304

**window**

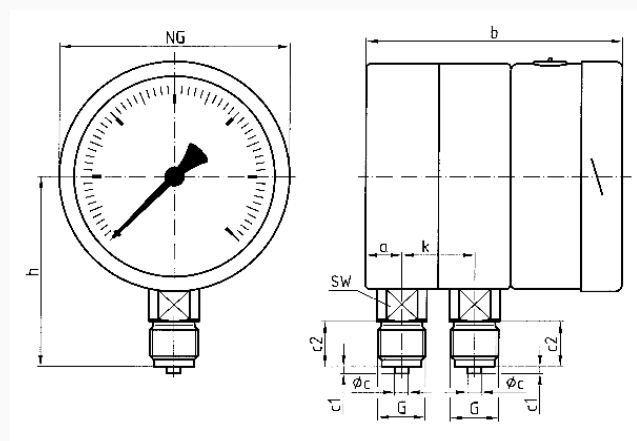
Laminated safety glass

**Options**

- Glycerine filling (type D 8)
- back flange
- special scales
- other process connections

**Technical Drawings**

**Bottom connection**



**Dimensions (mm)**

NG	a	b	∅c	c1	c2	G	h	k	SW
100	16	112,5	6	3	20	G $\frac{1}{2}$ B	84	32	22

## Versions

Type	housing ø	Housing	accuracy class	Con- nec- tion	Ausrich- tung	Range	Type	Type	Part no.
MF100Dif D401	100 mm	Stain- less steel 304	2.5	2 x G½B		0/600 mbar	MF100Dif	D401	● 88088401

- in-stock items
- Non-stock items