



## Standard spring-diaphragm pressure gauges MF100Dif

Part no. 88092401

Standard spring-diaphragm pressure gauges for differential pressure - overload protected

### benefits

- direct indication of the differential pressure
- high overload protection
- Zero correction
- with integrated pressure damping

### Application

For differential pressure measurement at low differential pressure and high static pressure. For non-corrosive gaseous and liquid media which are not highly viscous. Particularly suitable for monitoring filters, pumps and pipe systems.

### Technical Specifications

#### Type

MF100Dif D401

#### Nominal size

100

#### Function

The pressures act on two pressure chambers separated by an elastic diaphragm. If there are different pressures in the chambers, the diaphragm is axially displaced against a compression spring. This is transmitted to the movement by means of a rod. The differential pressure is directly indicated by a pointer. The diaphragm is held by a metallic support which results in an overpressure safety of up to 25 bar at both sides.

#### accuracy class (EN 837-3/6)

2.5

#### ranges

see ordering table

#### maximum static pressure

25 bar

#### Overpressure safety

up to the maximum static pressure at both ends

#### Operating temperature range

Medium: max. 60 °C

Ambient: -20/+60 °C

#### Temperature performance

Indication error when the temperature of the measuring system deviates from the normal temperature of 20 °C:  
 at rising temperature approx.  $\pm 0.5 \%/10 \text{ K}$   
 falling temperature approx.  $\pm 0.5 \%/10 \text{ K}$   
 of full scale value

#### Degree of protection

IP 54 (EN 60529)

#### Connection

Brass nickel-plated

bottom, parallel, one behind the other

#### Measuring element

Compression spring, Stainless steel 301

**diaphragm**  
FKM (Viton)

**Measuring flange**  
Aluminium, anodized

**movement**  
Brass

**Dial**  
Aluminium, white  
Scaling: black

**Pointer**  
Aluminium, black

**Housing**  
Stainless steel 304

**bayonet bezel**  
Stainless steel 304

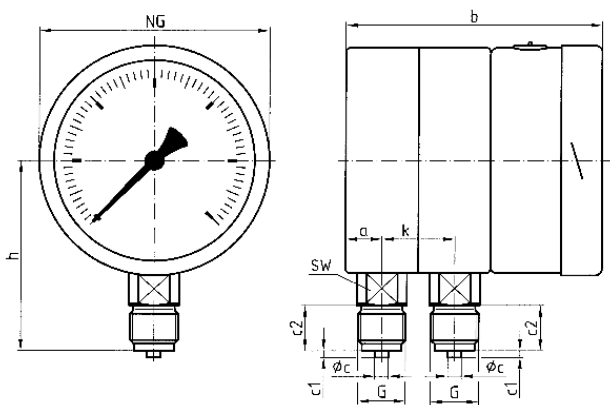
**window**  
Laminated safety glass

**Options**

- Glycerine filling (type D 8)
- back flange
- special scales
- other process connections

**Technical Drawings**

**Bottom connection**



**Dimensions (mm)**

| NG  | a  | b     | ∅c | c1 | c2 | G   | h  | k  | SW |
|-----|----|-------|----|----|----|-----|----|----|----|
| 100 | 16 | 112,5 | 6  | 3  | 20 | G½B | 84 | 32 | 22 |

**Versions**

| Type             | housing<br>ø | Housing                     | accuracy class | Con-<br>nec-<br>tion | Ausrich-<br>tung | Range   | Type     | Type | Part no.   |
|------------------|--------------|-----------------------------|----------------|----------------------|------------------|---------|----------|------|------------|
| MF100Dif<br>D401 | 100 mm       | Stain-<br>less<br>steel 304 | 2.5            | 2 x G½B              |                  | 0/4 bar | MF100Dif | D401 | ● 88092401 |

● in-stock items

● Non-stock items