

Spring-diaphragm pressure gauges for chemical applications MFW100ChDif IK1

Part no. 88147402

Standard spring-diaphragm pressure gauges for differential pressure - overload protected

benefits

- direct indication of the differential pressure
- high overload protection
- compact design
- high resistance to chemicals
- Electrical contacts optional

Technical Specifications

Type

MFW ChDif D402

Nominal size

100

accuracy class (EN 837-3/6)

2.5

ranges (EN 837-3/5)

see ordering table

maximum static pressure

25 bar

Overpressure safety

up to the maximum static pressure at both ends

Operating temperature range

Ambient: -20/+60 °C

Degree of protection

IP 54 (EN 60529)

Connection

stainless steel 316 Ti/316 L

MFW ChDif

bottom, parallel next to each other

Measuring element

Compression spring, Stainless steel 301

diaphragm

FKM (Viton)

Measuring flange

stainless steel 316 Ti/316 L

movement

Stainless steel

Dial

Aluminium, white

Scaling: black

Pointer

Aluminium, black

Housing

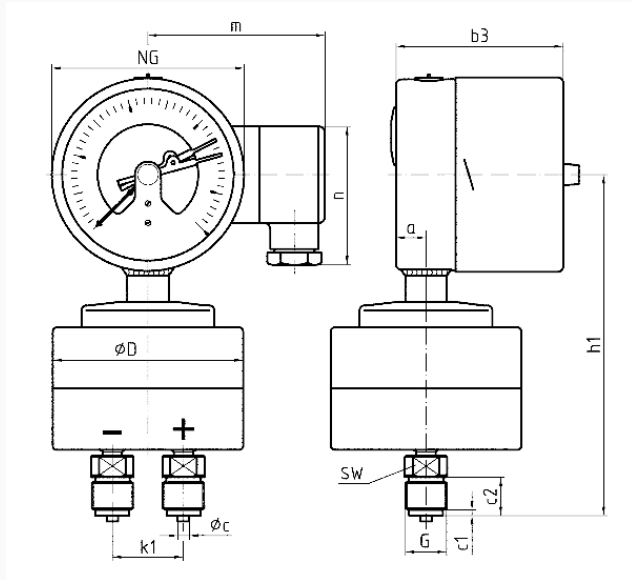
Stainless steel 304

bayonet bezel
Stainless steel 304

window
Laminated safety glass

Technical Drawings

Bottom connection, with electrical contact



Dimensions (mm)

| NG | a | b3 | Øc | c1 | c2 | ØD | G | h1 | k1 | m | n | SW |
|-----|----|----|----|----|----|----|-----|-----|----|----|----|----|
| 100 | 16 | 87 | 6 | 3 | 20 | 99 | G½B | 177 | 37 | 92 | 72 | 22 |

Versions

| Type | housing ø | Housing | accuracy class | Conne- ction | Ausrich- tung | Range | Type | Type | Part no. |
|----------------------------|--------------|-----------------------------|-------------------|-----------------|------------------|---------------|--------------------|------|------------|
| MFW100C Dif IK1 D402 | 100 mm | Stain- less steel 304 | 2.5 | 2 x G½B | | 0/400 mbar | MFW100C Dif IK1 | D402 | ● 88147402 |

- in-stock items
- Non-stock items