

Spring-diaphragm pressure gauges for chemical applications MFW100ChDif IK1

Part no. 88149402

Standard spring-diaphragm pressure gauges for differential pressure - overload protected

benefits

- direct indication of the differential pressure
- high overload protection
- compact design
- high resistance to chemicals
- Electrical contacts optional

Technical Specifications

Type
MFW ChDif D402

Nominal size
100

accuracy class (EN 837-3/6)
2.5

ranges (EN 837-3/5)
see ordering table

maximum static pressure
25 bar

Overpressure safety
up to the maximum static pressure at both ends

Operating temperature range
Ambient: -20/+60 °C

Degree of protection
IP 54 (EN 60529)

Connection
stainless steel 316 Ti/316 L
MFW ChDif
bottom, parallel next to each other

Measuring element
Compression spring, Stainless steel 301

diaphragm
FKM (Viton)

Measuring flange
stainless steel 316 Ti/316 L

movement
Stainless steel

Dial
Aluminium, white
Scaling: black

Pointer
Aluminium, black

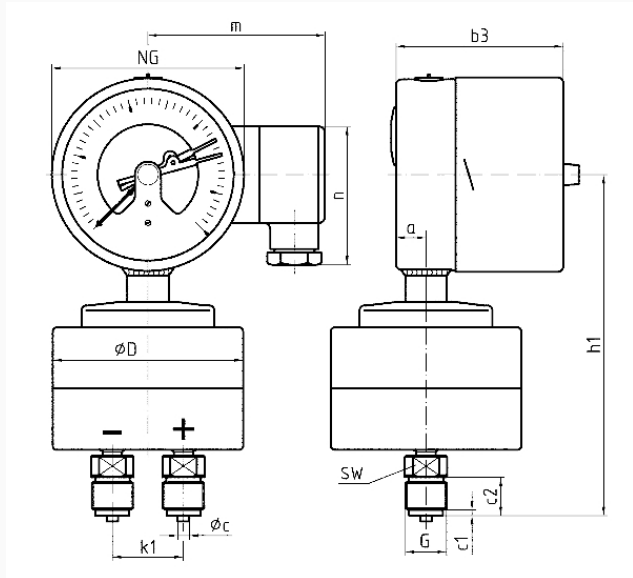
Housing
Stainless steel 304

bayonet bezel
Stainless steel 304

window
Laminated safety glass

Technical Drawings

Bottom connection, with electrical contact



Dimensions (mm)

NG	a	b3	ØD	c1	c2	ØD	G	h1	k1	m	n	SW
100	16	87	6	3	20	99	G½B	177	37	92	72	22

Versions

Type	housing ø	Housing	accuracy class	Connec- tion	Ausrich- tung	Range	Type	Type	Part no.
MFW100C Dif IK1 D402	100 mm	Stain- less steel 304	2.5	2 x G½B		0/1 bar	MFW100C Dif IK1	D402	● 88149402

- in-stock items
- Non-stock items