



## Magnetic piston pressure gauges MAG100Dif

**Part no. 88016312**

**Magnetic piston pressure gauges for differential pressure - high overload protection**

### benefits

- compact and robust stainless steel measuring system
- max. static pressure PN 100, 250, 400
- Leak-proof due to mechanical separation of pressure chamber and display
- various connection types
- easy retrofitting of electrical contacts without intervention in the measuring system

### Application

For differential pressure measurements at very high static pressures. For gaseous and liquid, non-adhesive media that are not highly viscous. Particularly suitable for monitoring filters, pumps, pipe systems and cooling circuits.

### Technical Specifications

**Type**  
MAG100Dif D312

**Nominal size**  
100

**accuracy**  
± 3 % of full scale value  
(at increasing differential pressure)

**ranges (EN 837-3/5)**  
see ordering table

**maximum static pressure**  
100 bar

**Overpressure safety**  
up to the maximum static pressure at both ends

**Operating temperature range**  
Medium: max. 80 °C  
Ambient: 0/80 °C

**Degree of protection**  
IP 65 (EN 60529)

**Connection (wetted part)**  
Stainless steel 316, on left and right sides, opposite each other

**Connection cover**  
plastic, glass-fibre reinforced, black

**Measuring element (wetted part)**  
Compression spring, Stainless steel 301

**Magnetic piston (wetted part)**  
Stainless steel 316/strontium ferrite

**Seal (wetted part)**  
NBR (Perbunan)

**Dial**  
Aluminium, white  
dual scale (bar/psi)  
Scaling: black/red  
scale angle: 90 °

**Pointer**  
Aluminium, black

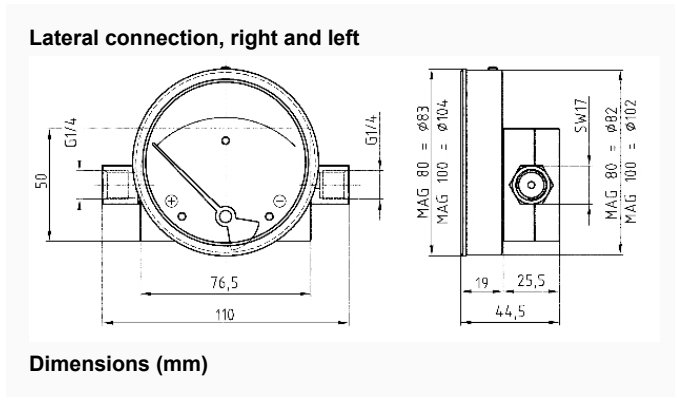
**Housing**  
Stainless steel 304, with rubber sealing ring at the front

**window**  
Instrument glass

**Options**

- Mounting plate with fixing clamp
- 3-hole fixing, panel mounting bezel
- max. static pressure PN 250/400
- other connection threads
- other connection designs
- Window acrylic glass
- Bourdon tube pressure gauge with inductive contact
- Filter in "plus" connection
- Glycerine filling
- Maximum pointer
- special scales

**Technical Drawings**



**Versions**

Type	housing ø	Housing	accuracy class	Conne- ction	Ausrich- tung	Range	Type	Type	Part no.
MA- G100Dif D312	100 mm	Stain- less steel 304		2 x G1/4 female thread		0/1 bar	MA- G100Dif	D312	● 88016312

- in-stock items
- Non-stock items