



## Magnetic piston pressure gauges MAG100Dif

**Part no. 88021312**

**Magnetic piston pressure gauges for differential pressure - high overload protection**

### benefits

- compact and robust stainless steel measuring system
- max. static pressure PN 100, 250, 400
- Leak-proof due to mechanical separation of pressure chamber and display
- various connection types
- easy retrofitting of electrical contacts without intervention in the measuring system

### Application

For differential pressure measurements at very high static pressures. For gaseous and liquid, non-adhesive media that are not highly viscous. Particularly suitable for monitoring filters, pumps, pipe systems and cooling circuits.

### Technical Specifications

#### Type

MAG100Dif D312

#### Nominal size

100

#### accuracy

± 3 % of full scale value  
(at increasing differential pressure)

#### ranges (EN 837-3/5)

see ordering table

#### maximum static pressure

100 bar

#### Overpressure safety

up to the maximum static pressure at both ends

#### Operating temperature range

Medium: max. 80 °C  
Ambient: 0/80 °C

#### Degree of protection

IP 65 (EN 60529)

#### Connection (wetted part)

Stainless steel 316, on left and right sides, opposite each other

#### Connection cover

plastic, glass-fibre reinforced, black

#### Measuring element (wetted part)

Compression spring, Stainless steel 301

#### Magnetic piston (wetted part)

Stainless steel 316/strontium ferrite

#### Seal (wetted part)

NBR (Perbunan)

#### Dial

Aluminium, white  
dual scale (bar/psi)  
Scaling: black/red  
scale angle: 90 °

#### Pointer

Aluminium, black

#### Housing

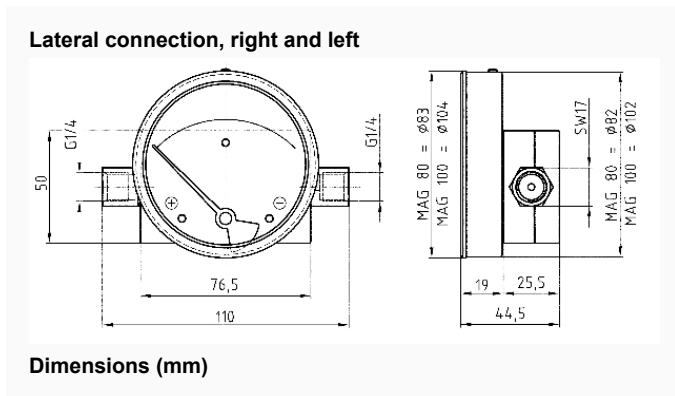
Stainless steel 304, with rubber sealing ring at the front

**window**  
Instrument glass

**Options**

- Mounting plate with fixing clamp
- 3-hole fixing, panel mounting bezel
- max. static pressure PN 250/400
- other connection threads
- other connection designs
- Window acrylic glass
- Bourdon tube pressure gauge with inductive contact
- Filter in "plus" connection
- Glycerine filling
- Maximum pointer
- special scales

**Technical Drawings**



**Versions**

| Type                   | housing<br>ø | Housing                     | accuracy class | Conne-<br>ction              | Ausrich-<br>tung | Range    | Type           | Type | Part no.   |
|------------------------|--------------|-----------------------------|----------------|------------------------------|------------------|----------|----------------|------|------------|
| MA-<br>G100Dif<br>D312 | 100 mm       | Stain-<br>less<br>steel 304 |                | 2 x G1/4<br>female<br>thread |                  | 0/10 bar | MA-<br>G100Dif | D312 | ● 88021312 |

- in-stock items
- Non-stock items