



Bourdon tube pressure gauge HZ 63 rad

Part no. 63908

Bourdon tube pressure gauge HZ for heating/plumbing

benefits

- with self-sealing connection thread (NG 50 and 63) for fast mounting
- red maximum mark on dial
- adjustable red reference pointer and green operation segment on window
- corrosion-resistant housing

Application

For gaseous and liquid media which are not highly viscous, do not crystallise and do not attack copper alloys and EPDM.
! For measuring gas or vapour, observe the table "Selection Criteria as per EN 837-2" (see appendix)!

Technical Specifications

Nominal size

63

accuracy class (EN 837-1/6)

2.5

ranges

0/4 bar

application area

static load: $\frac{3}{4}$ x full scale value
dynamic load: $\frac{2}{3}$ x full scale value
short-term: Full scale value

Operating temperature range

Medium: max. 60 °C
Ambient: -20/+60 °C

Temperature performance

Indication error when the temperature of the measuring system deviates from the normal temperature of 20 °C:
at rising temperature approx. ± 0.4 %/10 K
falling temperature approx. ± 0.4 %/10 K
of full scale value

Degree of protection

IP 32 (EN 60529)

Connection

Brass, bottom
NG 63
G $\frac{3}{8}$ B, Self-sealing with PTFE sealing ring

Measuring element

Bourdon tube, "C" type tube
Copper alloy

movement

Brass

Dial

Plastic, white
 With red mark at 2.5 bar and green sector from 1.5 to 2.5 bar
 Scaling: black

Pointer

Plastic, black

Housing

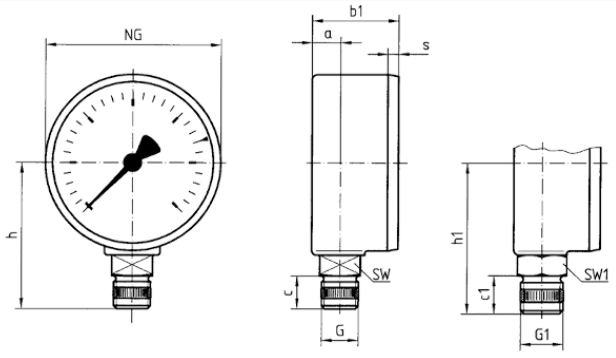
Plastic (ABS), black, highly impact-resistant and corrosion-resistant

window

Plastic, clipped in
 with adjustable red reference pointer and green flag

Technical Drawings

RF/HZ 63 – bottom connection



Dimensions (mm)

NG	a	b1	c	c1	G	G1	h	h1	s	SW	SW1
63	9,8	29,7	11,2	13	G½B	G¾B	49,5	51,5	3,7	14	17

Versions

	housing ø	Connec- tion	Connec- tion	Thread	alignment	Range	Type		Part no.
HZ 63	63 mm	G¾B		Self-sea- ling with PTFE sealing ring	bottom	0/4 bar	HZ 63 rad	●	63908

● in-stock items

● Non-stock items