



## Twin thermostat with housing GDT/8HR

Part no. 67447X

Twin thermostat with housing

### benefits

- mechanical temperature controller
- ideal for all heat and process engineering applications
- with integrated safety temperature cut out
- Control directly at the process

### Application

Twin thermostat with housing with pocket. Available with two temperature control thermostats (TRT) for controlling heating and cooling processes in industrial and domestic applications. Also available as version with temperature control thermostat (TRT) and safety temperature cut out (STB) with manual reset knob. The device is suitable for application areas in the field of heat and process engineering.

### Description

The temperature measured at the probe causes a change in the volume of the measuring liquid. Electrical switching is triggered by the force acting. The pocket allows for direct installation in pressure-tight tanks.

### Technical Specifications

#### Type

GDT/TLSC

#### Operating range/switching point

see ordering table

#### Tolerance

TRT:  $\pm 3$  K

#### Switching differential

$\Delta T 4 \pm 1$  K

#### Setting

GDT/8HR

Internal/external

#### Probe element

liquid-filled

#### Pocket

Cu alloy

Connection:  $\frac{1}{2}$ -14 NPT

Diameter:  $\varnothing$  16 mm, profile version

Length: 100 mm

#### Operating temperature range

Probe: max. 125 °C

Housing: max. 80 °C

#### Process pressure

max. 4 bar

#### Probe

Copper

#### Housing

plastic (PVC), grey (RAL 7035)

#### Cable entry

plastic (PVC), black

M20 x 1.5

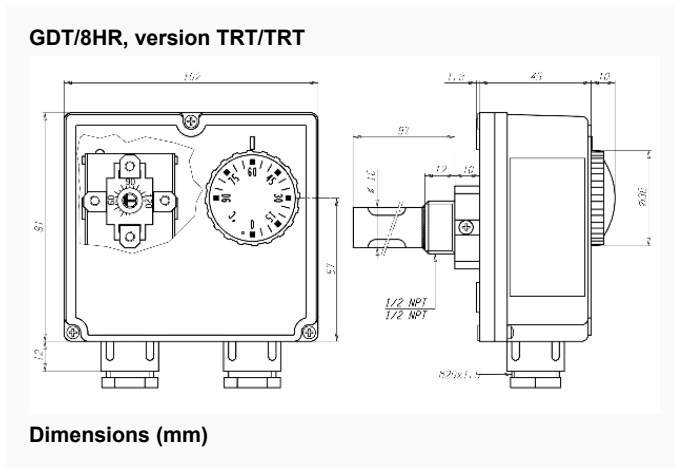
**Degree of protection**  
IP 40 (EN 60529)

**electrical switching contact**  
2 x changeover contact

**Time constant**  
DIN-tested  
DIN EN 14597:2012-09  
registration number: TR/STB 1231

**Contact rating**  
TRT  
NC: AC 250 V, 10 (2.5) A  
NO: AC 250 V, 6 (2.5) A

**Technical Drawings**



**Versions**

	adjust- ment	Operating range	Operating range	Operating range	Switching point	Switching point	capillary length	Stem length	Part no.
Twin ther- mostat with hou- sing GDT/8HR	Inter- nal/exter- nal		0/90 °C	0/90 °C				100 mm	● 67447X

- in-stock items
- Non-stock items