



Twin thermostat with housing GDT/8RS

Part no. 67453X

Twin thermostat with housing

benefits

- mechanical temperature controller
- ideal for all heat and process engineering applications
- with integrated safety temperature cut out
- Control directly at the process

Application

Twin thermostat with housing with pocket. Available with two temperature control thermostats (TRT) for controlling heating and cooling processes in industrial and domestic applications. Also available as version with temperature control thermostat (TRT) and safety temperature cut out (STB) with manual reset knob. The device is suitable for application areas in the field of heat and process engineering.

Description

The temperature measured at the probe causes a change in the volume of the measuring liquid. Electrical switching is triggered by the force acting. The pocket allows for direct installation in pressure-tight tanks.

Technical Specifications

Operating range/switching point

see ordering table

Tolerance

TRT: ± 3 K

STB: +0 K/-6 K at ambient temperature 20 °C

Switching differential

$\Delta T 4 \pm 1$ K

Setting

GDT/8RS

fixed/external

Probe element

liquid-filled

Pocket

Cu alloy

Connection: 1/2-14 NPT

Diameter: \varnothing 16 mm, profile version

Length: 100 mm

Operating temperature range

Probe: max. 125 °C

Housing: max. 80 °C

Process pressure

max. 4 bar

Probe

Copper

Housing

plastic (PVC), grey (RAL 7035)

Cable entry

plastic (PVC), black
M20 x 1.5

Degree of protection

IP 40 (EN 60529)

Time constant

DIN-tested
DIN EN 14597:2012-09
registration number: TR/STB 1231

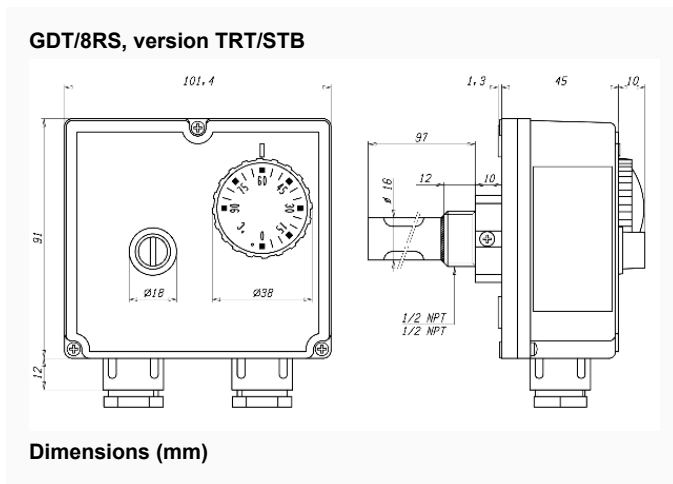
electrical switching contact

2 x changeover contact

Contact rating

TRT
NC: AC 250 V, 10 (2.5) A
NO: AC 250 V, 6 (2.5) A
STB
NC: AC 250 V, 10 (2.5) A
NO: AC 250 V, 10 (2.5) A

Technical Drawings



Versions

	adjust- ment	Operating range	Operating range	Operating range	Switching point	Switching point	capillary length	Stem length	Part no.
Twin ther- mostat with hou- sing GDT/8RS	fixed/ex- ternal	0/90 °C			100 °C			100 mm	● 67453X

- in-stock items
- Non-stock items