

room thermostat with housing GRT/ ERT/ETR

Part no. 67467X

room thermostat with housing

benefits

- mechanical temperature controller
- for monitoring of greenhouses
- for use in animal breeding applications
- easy wall mounting

Application

Mechanical room thermostat for industrial use. Due to the high degree of protection, the device can be used in humid rooms and in animal breeding applications. The room thermostats are also suitable for temperature monitoring in greenhouses.

Description

The temperature measured at the probe causes a change in the volume of the measuring liquid. Electrical switching is triggered by the force acting.

Technical Specifications

Type
GRT

Operating range
see ordering table

Tolerance
 $\pm 0.4\%$ / 10 K

Switching differential
0/55 °C
 $\Delta T 3 \pm 1$ K

Setting
GRT/ERT/ETR
Internal

Probe
Copper, nickel-plated

Probe element
liquid-filled

Operating temperature range
Housing: max. 65 °C

Housing
plastic (PVC), grey (RAL 7035)

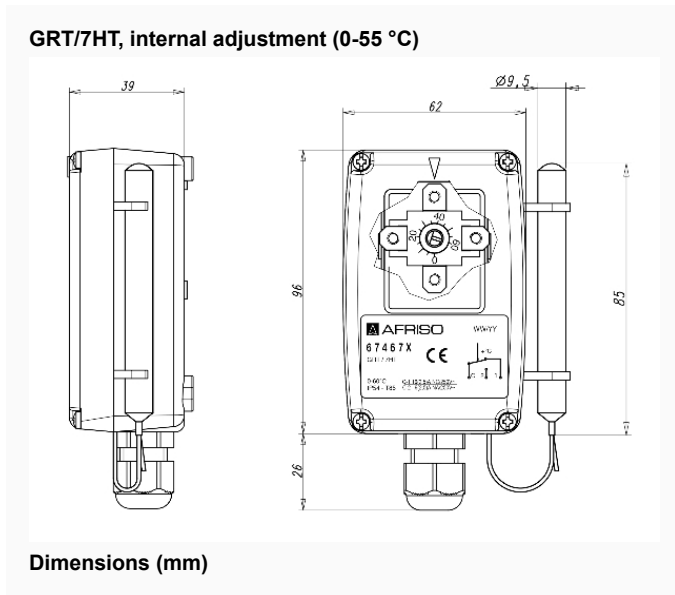
Cable entry
 plastic (PVC), black
 M16 x 1.5

electrical switching contact
 Changeover contact

Degree of protection
 IP 54 (EN 60529)

Contact rating
 NC: AC 250 V, 16 (2.5) A
 NO: AC 250 V, 6 (2.5) A

Technical Drawings



Versions

	adjustment	Operating range	Switching point	Switching point	capillary length	Stem length	Part no.
room thermostat with housing GRT/ERT/ETR	Internal	0/55 °C				●	67467X

- in-stock items
- Non-stock items