



## plug-in display DA 06

Part no. 31278

digital plug-in display

### benefits

- easy and fast mounting via plug-in system
- Indication scalable as required
- Housing and display can be rotated at any angle
- Open collector switching output / PNP

### Application

Cost-effective digital display unit with local indication for all transducers with 4–20 mA output and ISO 4400 (DIN 43650-A) connector. Easy and fast mounting via plug-in system. Optional EX protection (zones 0/1) and connector M 12 x 1, 5-pin.

### Description

DA 06 is mounted between the plug and the junction box and is immediately ready for operation. As the unit is supplied via the 4–20 mA loop, it does not require a separate power supply. The unit is programmed by means of two keys at the front. The following parameters can be set: scaling, decimal point, dampening, switching point and delay. In addition, the unit features a memory for min. and max. values. The settings are not lost in case of a power outage. Out of range values can be displayed as messages (both ends of the range). The integrated diagnostics system continuously monitors all functions of the display. The housing can be turned by 300°, the display by 330°.

### Technical Specifications

#### Display

4-digit, 7 mm high, red LED display,  
Display housing can be rotated by 330°

#### Range

0 to 9,999 digits,  
start and end values configurable as required

#### Accuracy

0.1 % ±1 digit

#### adjustable parameters

Scaling decimal point Damping Switching point Delay

#### Min./max. value memory

the highest and lowest values reached during operation can be displayed

#### Housing

plastic (PA 6.6/polycarbonate)  
W x H x D: 47 x 47 x 68 mm  
Housing can be rotated by 300°

#### Degree of protection

IP 65 (EN 60529)

**Operating temperature range**

DA 06  
 -25/+85 °C  
 Storage: -40/+85 °C

**Electrical connection**

Adapter for connector as per ISO 4400 (DIN 43650-A)

**Input signal/output signal**

4–20 mA, 2-wire

**Options**

- EX protection II 2G Ex ia IIC T4 Gb
- electrical connection M12 x 1, 5-pin
- 3-wire 0–10 V

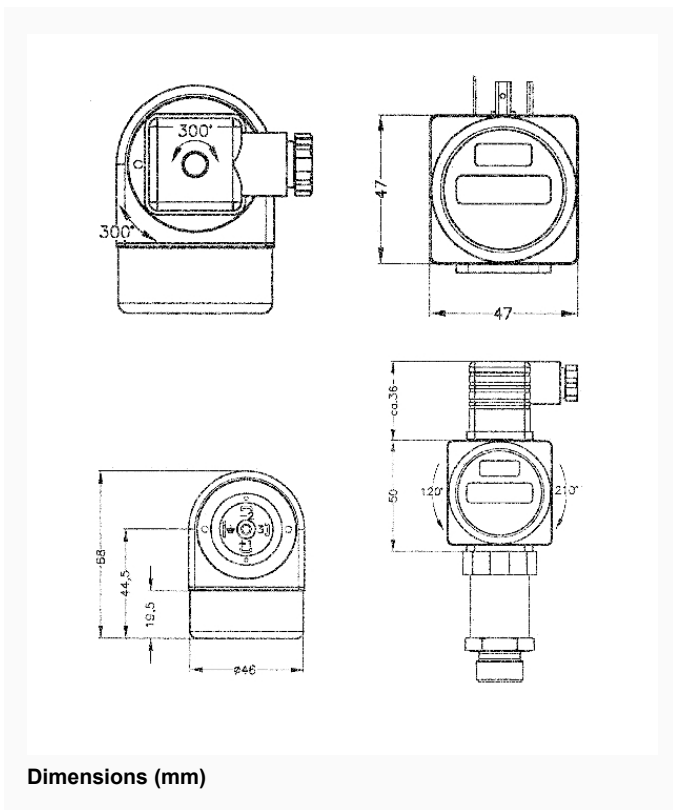
**Switching output**

1 open collector (PNP), max. 125 mA  
 On/off delay 0 to 100 s

**CE conformity (EMC)**

EMC Directive 2014/30/EU

**Technical Drawings**



## Versions

	Part no.
plug-in display DA 06	31278

- in-stock items
- Non-stock items