

thermostatic mixing valve ATM 333

Part no. 78248

thermostatic mixing valves ATM



benefits

- high accuracy, fast response
- with integrated scald protection
- maintenance-free
- ideal for showers and smaller underfloor heating circuits
- Cap with window and scale, can be lead-sealed (ideal for public facilities)

Application

Universal units for controlling hot water in sanitary applications, solar-heated, tankless water heaters or for smaller underfloor heating circuits which are directly connected to the flow (max. 60 °C). Also for panel heating systems such as wall or underfloor heating systems which require a constant mixed water temperature to avoid damage to floors and pipes. Suitable for drinking water or water with up to 50 % glycol.

Description

Thermostatic mixing valve as per EN 1111 with base made of brass and cap and control knob made of high-strength plastic. With temperature scale (20/43 °C or 35/60 °C) for easy adjustment of the temperature of the water to be mixed. A cap protects the control knob against improper operation; it can be lead-sealed to help prevent unwanted adjustments. The selected adjustment is visible through the window in the cap. If the cold water line is interrupted, the mixing valve automatically closes the hot water supply to help protect against scalding. The new chamber geometry also helps to avoid damage caused by overpressure during closing (backflow preventer at cold water end). The internal geometry as well as the materials used at the control surfaces help to ensure that control errors (for example, caused by lime deposits on the sealing surfaces) are practically excluded. ATM is maintenance-free.

Technical Specifications

Operating temperature range

Medium: max. 90 °C

Medium: short-term 110 °C

Nominal pressure

max. 10 bar

dynamic operating pressure

max. 5 bar

Flow rate

Kvs: 1.6 m³/h

temperature stability

± 2 °C (EN 1111)

Material

Housing: brass (CW626N), dezincification-resistant

cap: Plastic (ABS)

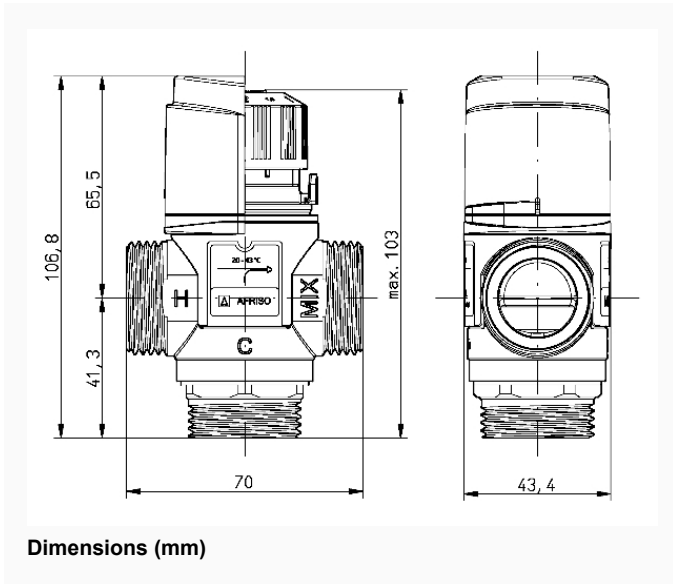
control knob: plastic (PBT)

seals: EPDM

Connection

see ordering table

Technical Drawings



Versions

	Nominal diameter	Flow coefficient Kvs	Connection	temperature	Part no.
thermostatic mixing valve ATM 333	DN 20	1.6 m ³ /h	Rp ³ / ₄ female	35/60 °C	78248

- in-stock items
- Non-stock items