



## Resistance thermometers WTh 28

**Part no. 32233**

**Resistance thermometers**

### benefits

- suitable for use in pharmaceutical and biotechnology applications and in the food industry
- resistance thermometer with Pt100 sensor
- clamp connection
- Wetted parts 316 Ti

### Application

Resistance thermometer for hygienic processes, e.g. food, beverages, pharmaceutical, biotechnology applications

### Technical Specifications

#### Sensor

1 x  
3-wire  
Class B, IEC 751

#### Measuring insert

replaceable  
Diameter: 6 mm

#### Thermowell

∅ 9 x 1 mm  
Stainless steel 316 Ti

#### Neck

∅ 9 x 1 mm  
Length: 140 mm  
Stainless steel 316 Ti

#### Process connection

Clamp 1"

#### Installation length

250 mm

#### Connection head

Type B, type BUZ  
aluminium die cast

#### Electrical connection

Cable gland

#### Degree of protection

IP 54 (EN 60529)

#### Measuring range

-35/+300 °C

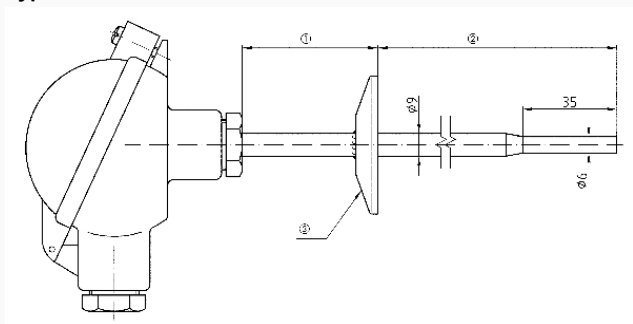
### Options

- Sensor class A
- reduced measuring tip (6 mm)

- Transmitter installation
- other thermowell materials
- other process connections
- other installation lengths
- Field housing

## Technical Drawings

**Type WTh 28**



**Dimensions (mm)**

- Neck length
- Installation length
- clamp connection

## Versions

	Installation length	Part no.
Resistance thermometers WTh 28	250 mm	32233

- in-stock items
- Non-stock items