

## Diaphragm seal MD 80

Part no. 31339W

Diaphragm seal MD 80 Flange version

### benefits

- flush, welded diaphragm
- for DIN and ASME flange connections
- numerous special materials and coatings (option)
- with bottom instrument connection as cell design (option)

### Application

For mounting to Bourdon tube pressure gauges, pressure transducers or pressure switches. For corrosive, highly viscous, polluted, crystallising or hot media. Typical application areas:

Chemical Industry

Petrochemistry

Refineries

Power plant engineering

### Technical Specifications

#### Process connection/tubus

Stainless steel 316 L

flange connection as per EN 1092-1 type B 1

#### diaphragm

Stainless steel 316 L

#### Instrument connection

Welded connection

#### pressure transmission liquid

Paraffin oil (FM 09), FDA-listed

#### pressure range

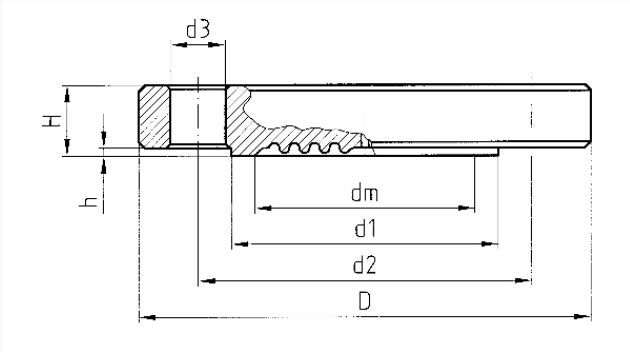
see overview of versions

#### Nominal pressure

PN 40

**Technical Drawings**

**Type MD 80 - flange connection as per EN 1092-1 type B 1**



DN	PN	D	d1	d2	d3	H	h	dm
25	40	115	68	85	4x14	18	2	28
40	40	150	88	110	4x18	18	2	48
50	40	165	102	125	4x18	18	2	48
80	40	200	138	160	8x18	24	2	48
100	40	235	162	190	8x22	24	2	48

**Versions**

Process connection	standard	Instrument connection	Nominal pressure	minimum range* (in bar) at nominal size					Part no.	
				63	100	160	DMU	DMU 13 Vario		
DN 50	flange connection as per EN 1092-1 type B 1	Welded connection	PN 40	0.6 bar	0.6 bar	0.6 bar	0.6 bar	0.6 bar	●	31339W

● in-stock items

● Non-stock items