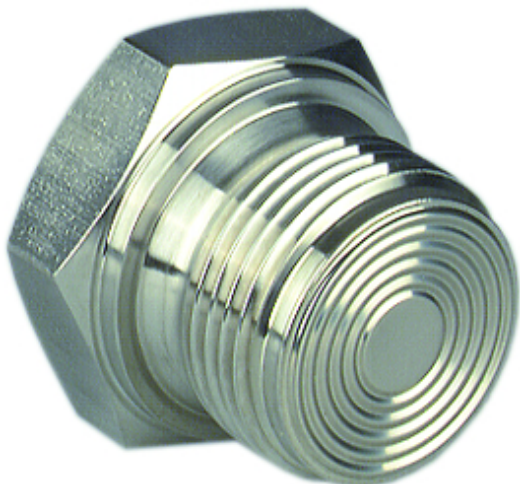


## Diaphragm seal MD 21

**Part no. 31415W**

**Diaphragm seal MD 21 Compact version**



### benefits

- robust, compact stainless steel design
- ideal for waste water, suspensions and corrosive media
- suitable for high pressure ranges

### Application

For mounting to Bourdon tube pressure gauges, pressure transducers or pressure switches. For corrosive, hot and polluted media at high pressures. Specially suitable for mechanical engineering and chemical industry applications.

### Technical Specifications

#### Process connection

stainless steel 316 Ti/316 L  
fixed male thread G $\frac{1}{2}$ B  
DIN 3852 type A

#### diaphragm

stainless steel 316 Ti/316 L  
flush, welded to upper body, no dead space

#### Instrument connection

Welded connection

#### pressure transmission liquid

Paraffin oil (FM 09), FDA-listed

#### pressure range

see ordering table

#### Nominal pressure

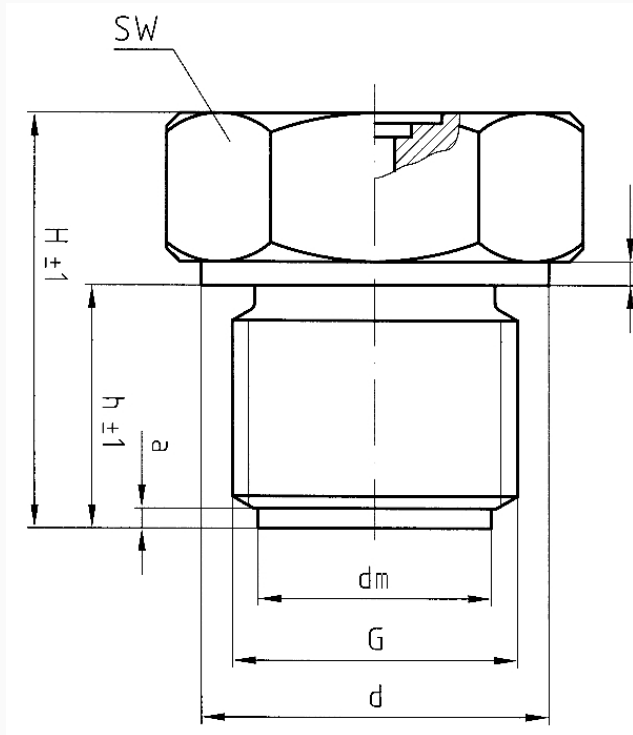
PN 600

### Options

- Adapter for instrument connection G $\frac{1}{4}$ B/G $\frac{1}{2}$ B
- Cooling element (> 100 °C)
- Capillary tube
- other threads
- other materials
- other filling liquids

**Technical Drawings**

**Type MD 21**



G	d	dm	h	H	a	b	SW
G½B	26	17,2	17	33,5	3	3	27
G¾B	32	23,5	19	34	3	3	32
G1B	39	28	21	36	3	3	41
G1½B	55	40	25	48	3	3	55
G2B	68	50	27	56	3	3,5	70

**Versions**

Process connection	standard	Instrument connection	Nominal pressure	minimum range* (in bar) at nominal size					Part no.
				63	100	160	DMU	DMU 13 Vario	
G½B	DIN 3852 type A	Welded connection	PN 600	6 bar	6 bar		1 bar		31415W

- in-stock items
- Non-stock items