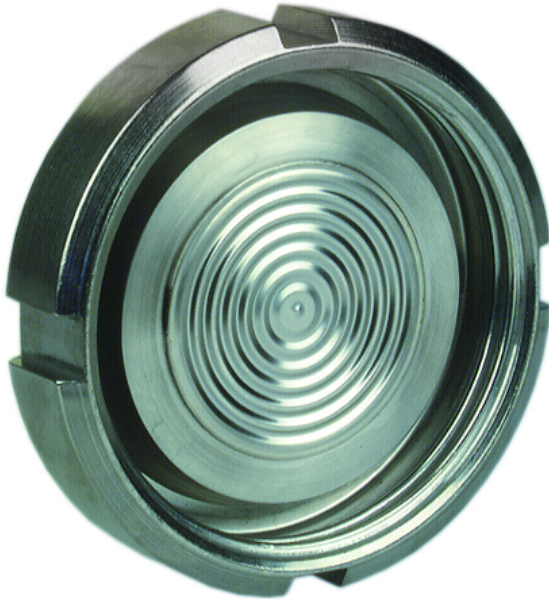


## Diaphragm seal MD 50

Part no. 31302W

Diaphragm seals for hygienic applications



### benefits

- all materials FDA-listed
- SIP/CIP enabled
- no dead space
- various standards available

### Application

Diaphragm seals MD 50/51 with food law compliant screwed pipe connection for hygienic process separation of pressure measuring and control units in pipes or tanks. For mounting to Bourdon tube pressure gauges, pressure transducers and pressure switches. For installation in hygienic processes without dead spaces.

Food and beverages industry  
Dairies  
Beverage machines  
Breweries

### Description

All materials used are FDA-listed. The chemical seal and the measuring instrument are welded together, resulting in an inseparable single, shock- and vibration-resistant unit that does not require additional external protection. The chemical seals are available with various nominal diameters; due to their compact design, they are suitable for a wide range of applications.

### Technical Specifications

#### Process connection

Stainless steel 316 L  
DIN 11851  
DN 40

#### surface roughness $R_a$

≤ 0.8  $\mu\text{m}$

#### diaphragm

Stainless steel 316 L

#### Instrument connection

Welded connection

#### pressure transmission liquid

Paraffin oil (FM 09), FDA-listed

#### pressure range

see overview of versions

#### Nominal pressure

PN 40

**Can be mounted to**

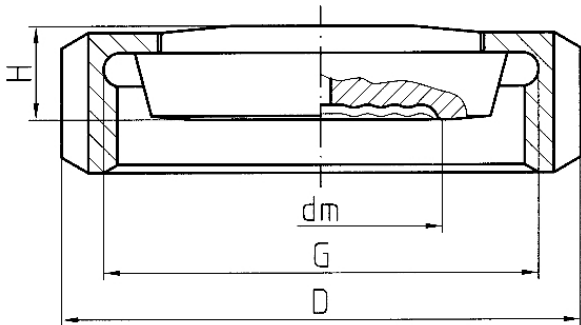
- Bourdon tube pressure gauges NG 50, 63, 80, 100, 160
- Pressure transducers (DMU)
- Pressure switches (DS)

**Options**

- other designs (Südmo, Guth)
- other materials
- electropolished
- Cooling element
- capillary
- other pressure transmission liquids
- Accessories such as union nuts and seals
- other process connections:
  - MD 52-1: DIN 11864-1 GS or ÜM, design A/B, DN 25/80, H3
  - DIN 11853-1 GS or ÜM, DN 25/80, H3
  - MD 52-2: DIN 11864-2 NF or BF, design A/B, DN 25/80, H3
  - DIN 11853-2 NF or BF, DN 25/80, H3
  - MD 52-3: DIN 11864-3 NKS or BKS, design A/B, DN 25/80, H3
  - DIN 11853-3 NKS or BKS, DN 25/80, H3
  - MD 53: APV-RJT 1" to 3"
  - MD 54: IDF 1" to 3"
  - MD 55: APV-ISS 1" to 3"

**Technical Drawings**

**Tapered socket DIN 11851 type D/DIN 11887 type B with grooved union nut DIN 11851 type F**



DN	PN	dm	G	D	H
25	40	23,5	Rd52x1/6	63	14
32	40	28	Rd58x1/6	70	14
40	40	36	Rd65x1/6	78	14
50	25	48	Rd78x1/6	92	15
65	25	48	Rd95x1/6	112	16

**Versions**

Process connection	standard	Instrument connection	Nominal pressure	minimum range* (in bar) at nominal size					Part no.	
				63	100	160	DMU	DMU 13 Vario		
DN 40	Grooved union nut DIN 11851	Welded connection	PN 40	0.6 bar	0.6 bar	0.6 bar	1 bar	1 bar	●	31302W

● in-stock items

● Non-stock items