

Diaphragm seal MD 22

Part no. 32000W

Diaphragm seal MD 22 Compact version



benefits

- robust, compact stainless steel design
- ideal for heavy fuel oil, suspensions and corrosive media
- suitable for medium pressure ranges

Application

For mounting to Bourdon tube pressure gauges, pressure transducers or pressure switches. For corrosive, hot and polluted media at medium pressures. Specially suitable for mechanical engineering and chemical industry applications.

Technical Specifications

Process connection

Stainless steel 316 L
fixed male thread G $\frac{1}{4}$ B

diaphragm

stainless steel 316 Ti/316 L
Internal, welded

Instrument connection

Welded connection

Options

- Adapter for instrument connection G $\frac{1}{4}$ B/G $\frac{1}{2}$ B
- Cooling element (> 100 °C)
- Capillary tube
- other threads
- other materials
- other filling liquids

pressure transmission liquid

Paraffin oil (FM 09), FDA-listed

pressure range

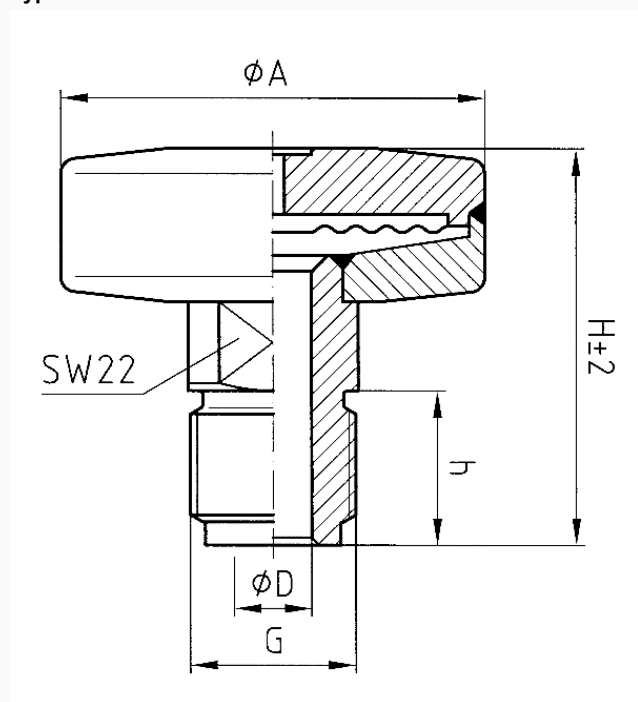
see overview of versions

Nominal pressure

PN 250

Technical Drawings

Type MD 22



PN	G	ϕA	ϕD	h	H
40	G $\frac{1}{4}$ B	55	6	13	44,5
40	G $\frac{3}{8}$ B	55	6	16	47,5
40	G $\frac{1}{2}$ B	55	10	20	51,5
40	$\frac{1}{4}$ "NPT	55	6	15	46,5
40	$\frac{1}{2}$ "NPT	55	10	20	51,5
250	G $\frac{1}{4}$ B	40	6	13	44,5
250	G $\frac{3}{8}$ B	40	6	16	47,5
250	G $\frac{1}{2}$ B	40	10	20	51,5
250	$\frac{1}{4}$ "NPT	40	6	15	46,5
250	$\frac{1}{2}$ "NPT	40	10	20	51,5

Versions

Process connection	standard	Instrument connection	Nominal pressure	minimum range* (in bar) at nominal size					Part no.
				63	100	160	DMU	DMU 13 Vario	
G1/4B		Welded connection	PN 250	4 bar	4 bar	4 bar	4 bar	4 bar	● 32000W

● in-stock items

● Non-stock items