

## Safety temperature cut outs STB LS1/971 FU

Part no. 67585X

Safety temperature cut outs STB With capillary tube



### benefits

- ideal for heating and process industries
- for protection against exceeding the maximum temperature
- no external power supply
- manual reset

### Application

There are many application areas for safety temperature cut outs in the heating and process industries. In conventional oil-fired or gas-fired boilers, these devices are used to monitor the boiler water. The safety temperature cut outs feature a manual reset button which must be actuated for unlocking.

### Description

If the temperature at the probe increases, the measuring liquid in the measuring system expands. If the temperature exceeds a critical value, the device triggers, the voltage-free contact switches and the system is set to a defined safe state. When the temperature has decreased by approx. 15 K, the device can be unlocked and the system resumes operation.

### Technical Specifications

#### Type

LS1

#### Switching point

see ordering table

#### Tolerance

+0 K/-6 K at 20 °C

#### Influence of ambient temperature

0.25 °C/°C

#### Switching differential

$\Delta T 15 \pm 8 K$

#### Fail safe

1

#### Probe

Copper  
 $\varnothing 6.5 \times 95 \text{ mm}$

#### Probe element

liquid-filled

#### Operating temperature range

Probe: max. 125 °C  
 Housing: max. 85 °C

**Capillary tube**

Cu capillary tube with PVC coating, black  
Length: 1500 mm

**Degree of protection**

IP 00 (EN 60529)

**Time constant**

DIN-tested  
DIN EN 14597:2012-09  
registration number: TR/STB 1211

**electrical switching contact**

Changeover contact

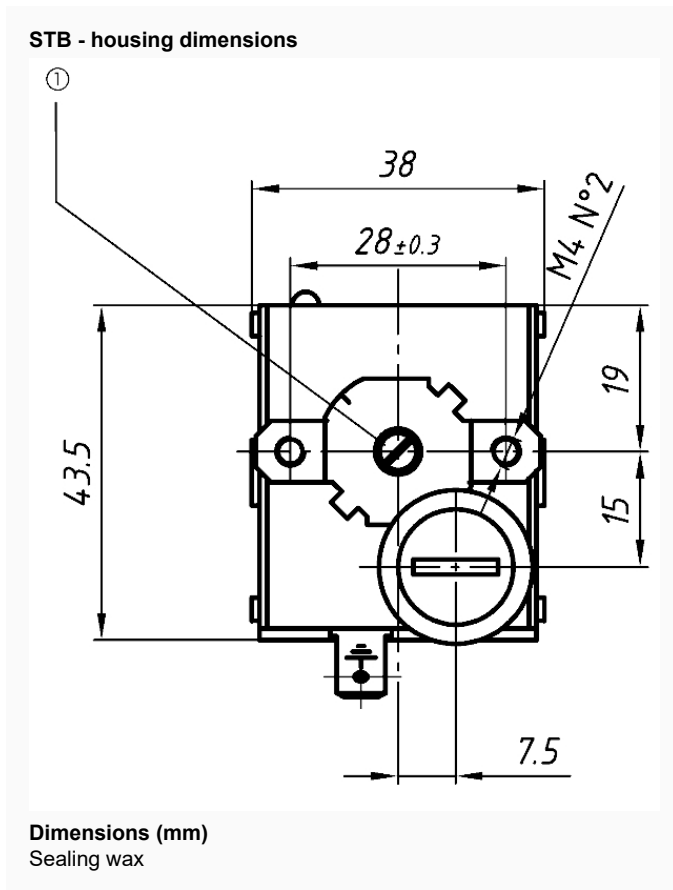
**Contact rating**

NC: AC 250 V, 16 (2.5) A  
NO: AC 250 V, 0.5 A

**Options**

- other operating ranges
- other capillary tube lengths
- customised versions

**Technical Drawings**



**Versions**

	Contact	Switching point	Switching point	capillary length		Part no.
Safety temperature cut outs STB LS1/971 FU	Changeover contact	75 °C		1500 mm	●	67585X

- in-stock items
- Non-stock items