



Bourdon tube pressure gauges for high pressure RF100HDGly

Part no. 85247802

Bourdon tube pressure gauges for high pressure

benefits

- for pressure ranges up to 4,000 bar
- Housing with solid baffle wall and blow-out

Application

For measurement of extremely high pressures in gaseous and liquid corrosive media which are not highly viscous and do not crystallise; also suitable for corrosive atmospheres.

Technical Specifications

Type

D8

Nominal size

100

accuracy class (EN 837-1/6)

1.0

ranges

0/2500 bar

application area

static load: Full scale value

dynamic load: $\frac{2}{3}$ x full scale value

Operating temperature range

Medium: max. 100 °C

Ambient: -20/+60 °C

Temperature performance

Indication error when the temperature of the measuring system deviates from the normal temperature of 20 °C:

at rising temperature approx. ± 0.4 %/10 K

falling temperature approx. ± 0.4 %/10 K

of full scale value

Degree of protection

IP 54 (EN 60529)

Connection

Stainless steel 316 L, bottom

HP connection $\frac{1}{4}$ " with female thread M16 x 1.5 with sealing cone 60°

Measuring element

Bourdon tube, NiFe alloy

helical tube

movement

Stainless steel

Dial
Aluminium, white
Scaling: black

Pointer
Aluminium, black

Housing
Stainless steel 304, with solid baffle wall and blow-out

Options

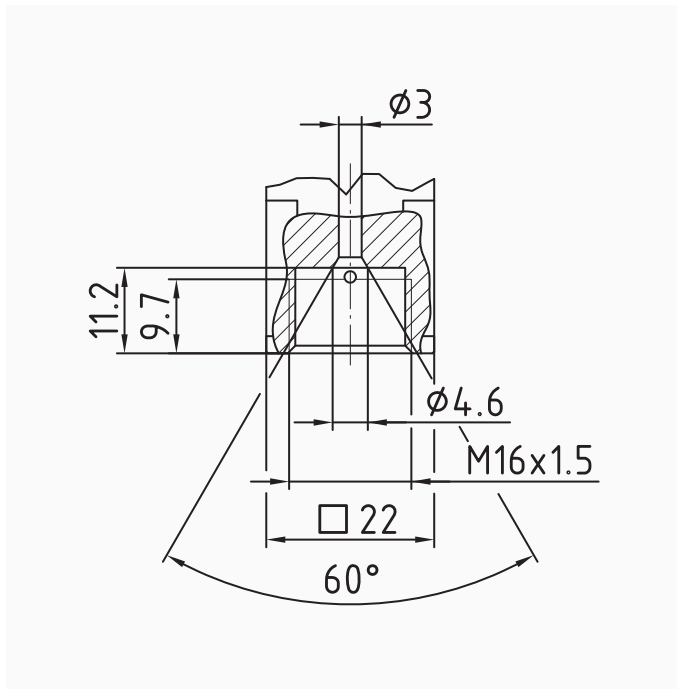
- Glycerine filling (type D802)
- 3-hole fixing, panel mounting bezel
- other process connections

bayonet bezel
Stainless steel 304

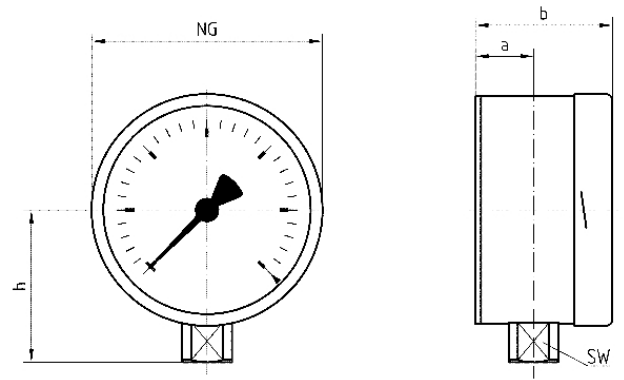
window
Laminated safety glass

filling liquid
glycerine (99.5 %)

Technical Drawings



Bottom connection



Dimensions (mm)

NG	a	a1	b	b1	d1*	d2	d3*	d4	d5	d6	d7	G	h	o	s2	s3	t	t1	u
16034	64	78	108	178	196	5,8	M	2,5	4,3	26	M16	39	63	1,5	8	9,5	11	65	
									5			x							
10027	52	60	90	116	132	4,8	M	2,5	4,3	26	1,5	71	-	-	1	7	9,5	11	-
											4								
NG u1 SW																			
16056 22																			
100 - 22																			

* Maße nach DIN 16064

Versions

Range	Mounting type	Type		Part number
0/2500 bar	direct	RF100HDGly D802	<input type="radio"/>	85247802

- in-stock items
- Non-stock items