



## Bourdon tube pressure gauge RF100ISR

Part no. 85313171

Bourdon tube pressure gauge with screw bezel housing type D1

### benefits

- for machine and plant engineering
- extremely robust plastic housing (PA 6.6 GB30)
- laminated safety glass window
- higher accuracy class optional

### Application

For gaseous and liquid media which are not highly viscous, do not crystallise and do not attack copper alloys. For high measuring accuracy. ! For measuring gas or vapour, observe the table "Selection Criteria as per EN 837-2"

### Technical Specifications

#### Type

D1

#### Nominal size

100

#### accuracy class (EN 837-1/6)

1.0

#### ranges (EN 837-1/5)

see ordering table

#### application area

≤ 600 bar: Full scale value  
 > 600 bar: ¾ x full scale value  
 ≤ 600 bar: 0.9 x full scale value  
 > 600 bar: ⅔ x full scale value  
 ≤ 600 bar: 1.3 x full scale value  
 > 600 bar: Full scale value

#### Operating temperature range

Medium: max. 60 °C

Ambient: -20/+60 °C

#### Temperature performance

Indication error when the temperature of the measuring system deviates from the normal temperature of 20 °C:  
 at rising temperature approx. ± 0.4 %/10 K  
 falling temperature approx. ± 0.4 %/10 K  
 of full scale value

#### Degree of protection

IP 54 (EN 60529) with housing vent (≤ 25 bar)

#### Connection

Brass, bottom

#### Measuring element

Bourdon tube

≤ 60 bar: "C" type tube, Copper alloy

> 60 bar: helical tube, stainless steel 316 Ti/316 L

**movement**

Brass

**Dial**

Aluminium, white  
Scaling: black

**Pointer**

Aluminium, black

**Options**

- Glycerine filling (type D 6)
- higher accuracy class
- throttle screw
- special scales
- other process connections
- micro-adjustable pointer

**Housing**

plastic (PA 6.6 GB30), with blow-out

**Screw type bezel**

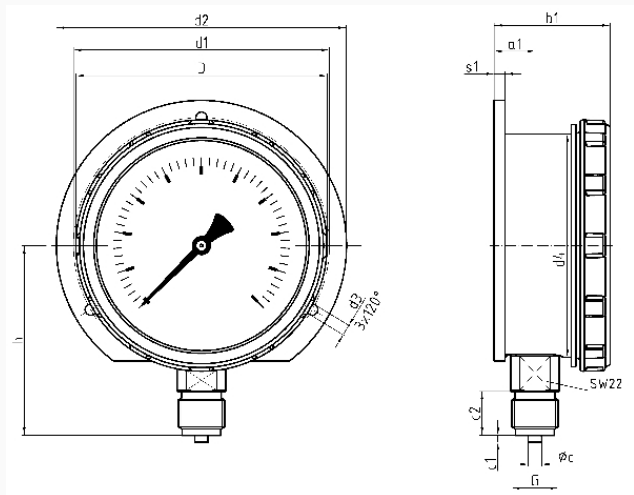
plastic (PA 6.6 GB30)

**window**

Laminated safety glass

**Technical Drawings**

**Bottom connection, back flange**



**Dimensions (mm)**

| NG  | a1   | b1   | $\phi c$ | c1 | c2 | d1  | d2    | d3 | d4  | D   | G   | h  | s1 |
|-----|------|------|----------|----|----|-----|-------|----|-----|-----|-----|----|----|
| 100 | 18,5 | 52,5 | 6        | 3  | 20 | 116 | 131,5 | 5  | 101 | 114 | G½B | 86 | 5  |

## Versions

| Range   | Mounting type | Type             |   | Part number |
|---------|---------------|------------------|---|-------------|
| 0/4 bar | back flange   | RF100ISR<br>D171 | ● | 85313171    |

- in-stock items
- Non-stock items