



Bourdon tube pressure gauge RF100ISR

Part no. 85321171

Bourdon tube pressure gauge with screw bezel housing type D1

benefits

- for machine and plant engineering
- extremely robust plastic housing (PA 6.6 GB30)
- laminated safety glass window
- higher accuracy class optional

Application

For gaseous and liquid media which are not highly viscous, do not crystallise and do not attack copper alloys. For high measuring accuracy. ! For measuring gas or vapour, observe the table "Selection Criteria as per EN 837-2"

Technical Specifications

Type

D1

Nominal size

100

accuracy class (EN 837-1/6)

1.0

ranges (EN 837-1/5)

see ordering table

application area

≤ 600 bar: Full scale value
 > 600 bar: ¾ x full scale value
 ≤ 600 bar: 0.9 x full scale value
 > 600 bar: ⅔ x full scale value
 ≤ 600 bar: 1.3 x full scale value
 > 600 bar: Full scale value

Operating temperature range

Medium: max. 60 °C

Ambient: -20/+60 °C

Temperature performance

Indication error when the temperature of the measuring system deviates from the normal temperature of 20 °C:
 at rising temperature approx. ± 0.4 %/10 K
 falling temperature approx. ± 0.4 %/10 K
 of full scale value

Degree of protection

IP 65 (EN 60529)

Connection

Brass, bottom

Measuring element

Bourdon tube

≤ 60 bar: "C" type tube, Copper alloy

> 60 bar: helical tube, stainless steel 316 Ti/316 L

movement

Brass

Dial

Aluminium, white
Scaling: black

Pointer

Aluminium, black

Options

- Glycerine filling (type D 6)
- higher accuracy class
- throttle screw
- special scales
- other process connections
- micro-adjustable pointer

Housing

plastic (PA 6.6 GB30), with blow-out

Screw type bezel

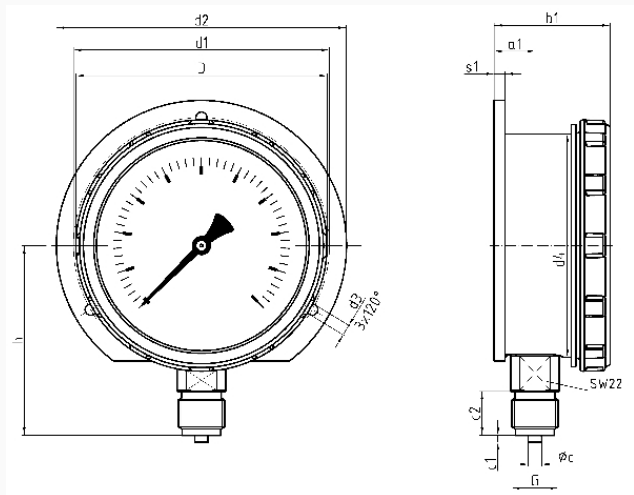
plastic (PA 6.6 GB30)

window

Laminated safety glass

Technical Drawings

Bottom connection, back flange



Dimensions (mm)

| NG | a1 | b1 | $\varnothing c$ | c1 | c2 | d1 | d2 | d3 | d4 | D | G | h | s1 |
|-----|------|------|-----------------|----|----|-----|-------|----|-----|-----|-----|----|----|
| 100 | 18,5 | 52,5 | 6 | 3 | 20 | 116 | 131,5 | 5 | 101 | 114 | G½B | 86 | 5 |

Versions

| Range | Mounting type | Type | | Part number |
|-----------|---------------|------------------|-----------------------|-------------|
| 0/160 bar | back flange | RF100ISR D171 | <input type="radio"/> | 85321171 |

- in-stock items
- Non-stock items