

## Resistance thermometers WTh 25

**Part no. 32240**

**Resistance thermometers**

### benefits

- suitable for use in mechanical engineering, plant engineering, appliance engineering, process engineering and chemical industry
- screw-in resistance thermometer with Pt100 sensor
- Wetted parts 316 Ti

### Application

Screw-in resistance thermometer for medium pressure and flow loads at higher temperatures

### Technical Specifications

#### Sensor

1 x  
3-wire  
Class B, IEC 751

#### Measuring insert

replaceable  
Diameter: 6 mm

#### Thermowell

As per DIN 43772  
Ø 9 x 1 mm  
Stainless steel 316 Ti

#### Neck

Ø 9 x 1 mm  
Length: 120 mm  
Stainless steel 316 Ti

#### Process connection

G $\frac{1}{2}$ B  
Stainless steel 316 Ti

#### Installation length

100 mm

#### Connection head

Type B As per DIN 43729  
aluminium die cast

#### Electrical connection

Cable gland

#### Degree of protection

IP 54 (EN 60529)

#### Measuring range

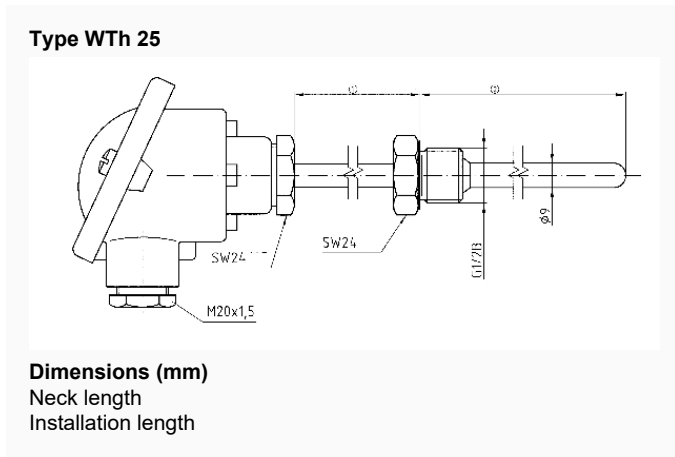
-35/+400 °C

### Options

- Sensor class A

- sensor Pt1000
- reduced measuring tip (6 mm)
- Transmitter installation
- other thermowell materials
- other process connections
- other installation lengths

**Technical Drawings**



**Versions**

	Installation length	Part no.
Resistance thermometers WTh 25	100 mm	32240

- in-stock items
- Non-stock items