

Solar pump assembly PrimoSol® 130-4

Part no. 77859

Solar pump assembly

benefits

- pre-assembled, tightness-tested and heat-insulated assembly
- with flow meter with ball valve, integrated filling and flushing unit and vent pot for degassing the heat transfer fluid in the flow line
- ErP-ready: Electronics with increased energy efficiency reduces negative impact on the environment

Application

Solar pump assembly/line for connection of collector and storage tank in intrinsically safe, sealed solar thermal systems. PrimoSol® 130 circulates heat transfer fluids such as water/glycol mixtures in the system.

Description

Complete, pre-assembled and tightness-tested solar pump assembly/line with all required safety and functional components, including form-fit heat insulation.

Depending on the version, the return line (return/cold) consists of:

Circulation pump

Flow meter with ball valve for shut-off, pump end with flange and union nut G1½. Measuring range: 2–12 l/min. With integrated filling and flushing unit, system connection: G¾ male thread.

Combination valve with system connection G3/4 male thread, pump end with flange and union nut G1½. With adjustable gravity brake and thermometer in the hand wheel (blue mark, range 0/120 °C).

Safety group assembly with connection G¾ for expansion vessel. With solar safety valve 6 bar, outlet Rp¾ female thread, pressure gauge Ø 63 mm, 0/10 bar, mounting valve.

The flow line consists of (130-4 only):

Combination valve with adjustable gravity brake and thermometer in the handle (red mark, range 0/120 °C) with system connection G3/4 male thread

Vent pot to remove the gas from the heat transfer fluid with system connection G¾ male. Transparent hose 200 mm as venting aid.

The heat insulation is also used to package the product for protected transport. The safety valve of the safety group assembly complies with Pressure Equipment Directive 2014/68/EC.

Technical Specifications

Axis distance

100 mm

system connections

G $\frac{3}{4}$ male

Operating temperature range

Ambient: max. 40 °C

Medium: max. 120 °C

Medium: short-term 160 °C

System pressure

max. 6 bar

Flow meter

2 – 12 l/min

Insulation

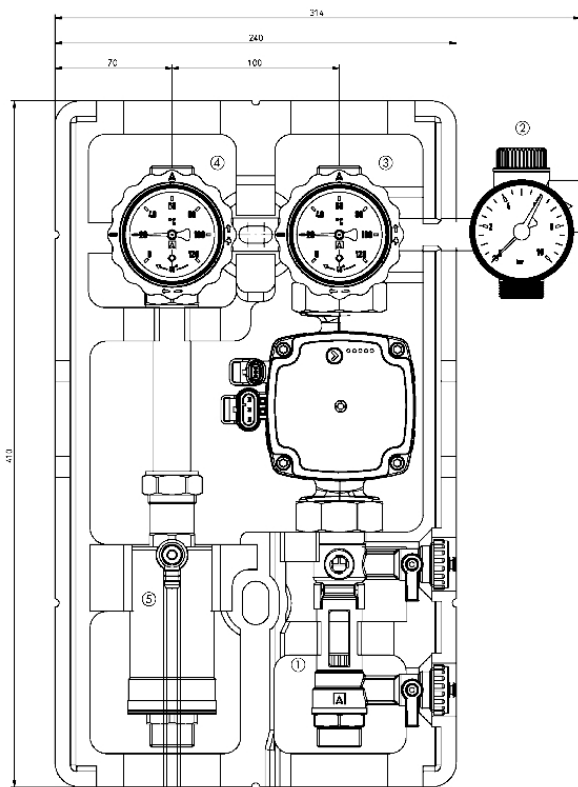
Polypropylene EPP

Circulation pump

Without circulation pump

Technical Drawings

Solar pump assembly PrimoSol® 130-4



Dimensions (mm)

- Flow meter with ball valve as well as filling and flushing unit
- Safety group assembly
- combination valve with thermometer (return/cold)
- Combination valve with thermometer (flow)
- Vent pot for fast and easy venting, especially during filling of the system

Versions

			Part no.
Solar pump assembly PrimoSol® 130-4	2–12 l/min, without circulation pump	●	77859

- in-stock items
- Non-stock items