

thermostatic actuator TSA 14 FO

Part no. 79400

thermostatic actuator

benefits

- First Open function
- manual Re-Open function without power applied
- Stroke indicator
- supply voltage 24 V
- control voltage 2-10 V
- continuous control and monitoring of stroke position



Application

For continuous control of hot water valves in heating and cooling circuits for highly demanding control tasks in building control systems. The actuator converts the electrical signal (2-10V) received from a room thermostat or a building control system into a valve stroke. Depending on the version, the supply voltage is DC (direct voltage) or AC (alternating voltage). The actuator is factory-opened (First Open function) so that the valves at the heating circuit manifold remain open during initial commissioning. This facilitates mounting as well as filling and flushing of the system since, at this point in time, the control system is usually not yet operative. The First Open function (FO) is automatically disabled as soon as the actuator is electrically connected and fully closed. The FO function can also be manually deactivated by lifting the stroke indicator with a screwdriver. When the stroke indicator is lifted, the "clip Re-Open" is relieved and disables the FO function. For servicing, the factory setting "open" of the actuator can be restored manually via the clip without power having to be applied. To do so, lift the stroke indicator with a screwdriver until the clip can be pushed below the stroke indicator. The pre-load of the stroke indicator keeps the clip in position and the FO function is active again.

Description

Electro-thermostatic actuator with continuous control, with First Open and Re-Open functions, position indicator and control line 2–10 V. 2–10 V control line and union nut for direct connection to the valve or upper part of the valve. With spacer for closing dimension compensation and optimum adaptation to the valve to be controlled. Detection of closing dimension during initial commissioning.

Technical Specifications

functions

First Open and Re-Open functions (adjustable via "clip re-open"), Automatic deactivation of the first-open function and closing point detection by homing movement during commissioning

Operating mode

closed when de-energised (NC)
Condition as delivered: Open

control stroke

4 mm

Closing dimension

10.8 mm

Actuating force

110 N

Connection

union nut M30 x 1.5 mm

Housing

Plastic PA 6, flame retardant

Degree of protection: IP 54 (EN 60730-1)

cap: white

Stroke indicator: yellow

cable

3 x 0.25 mm², white

Length: 1 m

Operating temperature range

Operation: max. 100 °C (at valve)

Ambient: 0/50 °C

Storage: -25/+70 °C

ambient humidity: < 85 % rH, Non-condensing

Supply voltage

AC 24 V

Options

- other control strokes
- other voltage ranges
- union nut M30 x 1.5 mm (brass, nickel-plated)

Control voltage

DC 2–10 V

Power input

1.1 W (Continuous operation)

Switch on power

4.8 W

Inrush current

200 mA

Protection class

III (EN 60730-1)

Dimensions (H x W x D)

68 x 40 x 56 mm

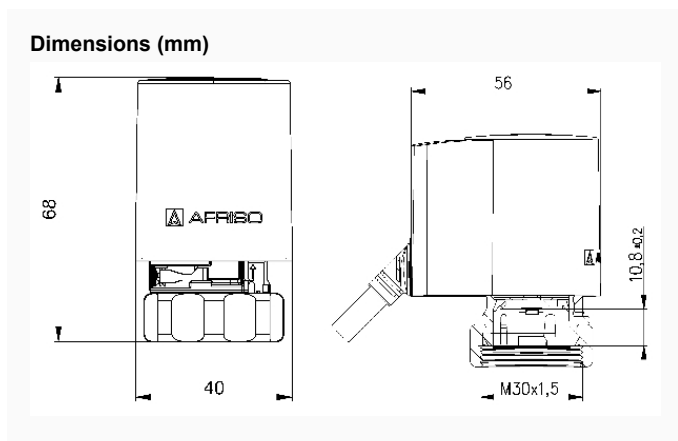
Weight

120 g

Options

- other control strokes
- other voltage ranges
- union nut M30 x 1.5 mm (brass, nickel-plated)

Technical Drawings



Versions

			Part no.
thermostatic actuator TSA 14 FO	AC 24 V	<input checked="" type="radio"/>	79400

- in-stock items
- Non-stock items