



ISOKERN® All Fuel Magnum

Assembled Firebox and
Smoke Dome Dimensions
for 60 & 72



APPLICATIONS:

- Indoor
- Outdoor
- Wood
- Natural Gas
- LP (Liquid Propane)
- Custom Finish
- Multi-Sided Availability
- DM 54 Chimney
- Eco-Steel Chimney
- Fire-Lite Application

Fan the flames of innovation and take your fireplace to new heights with Isokern's **Magnum Series**.

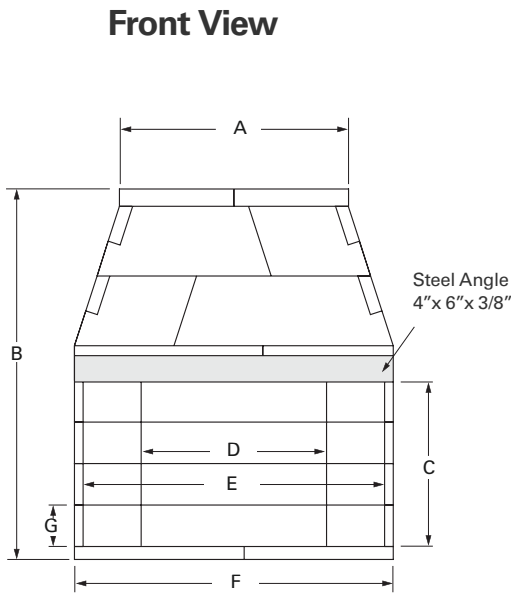
The Magnum Series Fireplace offers wood or gas burning solutions with the largest openings available in the market, models include 36, 42, 48, 60 & 72. Utilizing Isokern's proprietary straight-back interior design coupled with an innovative contoured shelf, the modular Magnum Series provides unequalled efficiency, performance and custom fireplace design flexibility.

Specifications 60 & 72

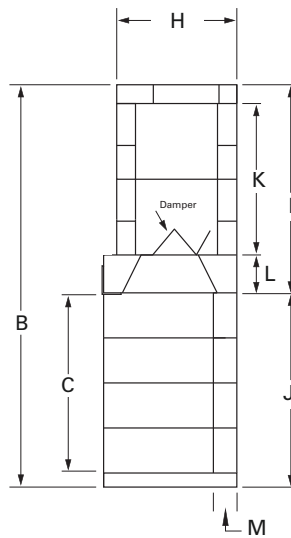
Please Note: It is required that the firebox/smoke dome assembly include the placement of a 4" x 6" x 3/8" minimum steel angle across the firebox opening. This item can be sourced locally. The manufacturer requires for the 60 & 72 model fireboxes be lined with a minimum 1-1/4" (2-1/2" Fire-lite application) thick firebrick for the floor and backwall and four inch (4") firebrick on the sidewalls.

Framing & Weight

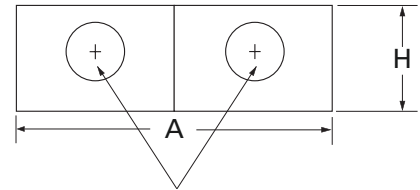
Model	Minimum Framing	Weight
60	(76 1/2" w) x (87 1/4" h) x (29 1/2" d)	2652 lbs
72	(88 7/8" w) x (87 1/4" h) x (29 1/2" d)	2952 lbs



Side View

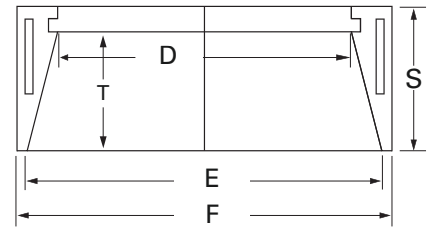


Top View



*Double Flue

Plan View



Front View	Model	A	B	C	D	E	F	G
	60	53 1/2"	85 3/4"	38"	57 1/4"	69"	73 1/2"	9 1/2"
	72	66"	85 3/4"	38"	69 3/4"	81 1/4"	85 1/2"	9 1/2"

Side View	Model	B	C	H	I	J	K	L	M
	60	85 3/4"	38"	25 1/4"	44 3/4"	41"	32"	8"	5"
	72	85 3/4"	38"	25 1/4"	44 3/4"	41"	32"	8"	5"

Plan View	Model	D	E	F	S	T
	60	57 1/4"	69"	73 1/2"	28"	23"
	72	69 3/4"	81 1/4"	85 1/2"	28"	23"



ISOKERN® All Fuel
Magnum

Assembled Firebox and
Smoke Dome Dimensions
for 28, 36, 42, 48



APPLICATIONS:

- Indoor
- Outdoor
- Wood
- Natural Gas
- LP (Liquid Propane)
- Custom Finish
- Multi-Sided Availability
- DM 54 Chimney
- Eco-Steel Chimney
- Fire-Lite Application

Fan the flames of innovation and take your fireplace to new heights with Isokern's **Magnum Series**.

The Magnum Series Fireplace offers wood or gas burning solutions with the largest openings available in the market, models include 36, 42, 48, 60 & 72. Utilizing Isokern's proprietary straight-back interior design coupled with an innovative contoured shelf, the modular Magnum Series provides unequalled efficiency, performance and custom fireplace design flexibility.

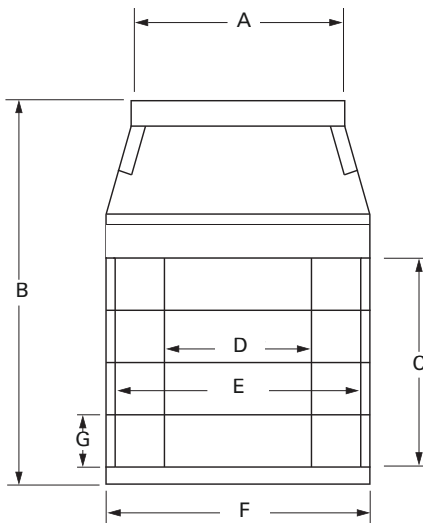
Specifications - 28, 36, 42, 48

Please Note: When using the Isokern brick ledge, it is required that the firebox/smoke dome assembly include the placement of a 4" x 4" x 3/8" minimum steel angle across the firebox opening. This item can be sourced locally.

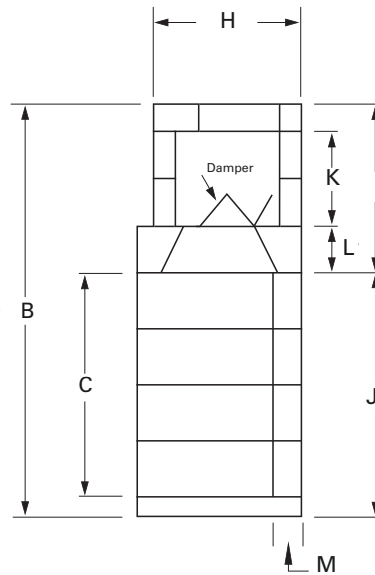
Framing & Weight

Model	Minimum Framing	Weight
28	(38 1/2" w) x (61 1/2" h) x (29 1/2" d)	1040 lbs
36	(46" w) x (71" h) x (29 1/2" d)	1305 lbs
42	(52" w) x (71" h) x (29 1/2" d)	1425 lbs
48	(56" w) x (71" h) x (29 1/2" d)	1600 lbs

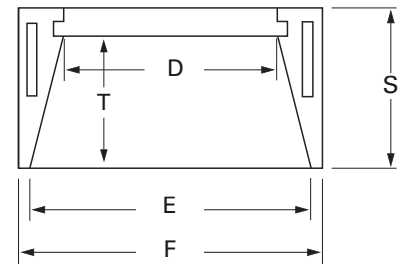
Front View



Side View



Plan View



Front View

Model	A	B	C	D	E	F	G
28	22 1/4"	60 1/4"	28 1/2"	19 3/4"	31"	35 1/2"	9 1/2"
36	33"	69 3/4"	38"	27 1/4"	38 3/4"	43"	9 1/2"
42	33"	69 3/4"	38"	33 1/4"	44 1/2"	49"	9 1/2"
48	43"	69 3/4"	38"	37 1/4"	48 1/2"	53"	9 1/2"

Side View

Model	B	C	H	I	J	K	L	M
28	60 1/4"	28 1/2"	25 1/4"	28 3/4"	31 1/2"	16"	8"	5"
36	69 3/4"	38"	25 1/4"	28 3/4"	41"	16"	8"	5"
42	69 3/4"	38"	25 1/4"	28 3/4"	41"	16"	8"	5"
48	69 3/4"	38"	25 1/4"	28 3/4"	41"	16"	8"	5"

Plan View

Model	D	E	F	S	T
28	19 3/4"	31"	35 1/2"	28"	23"
36	27 1/4"	38 3/4"	43"	28"	23"
42	33 1/4"	44 1/2"	49"	28"	23"
48	37 1/4"	48 1/2"	53"	28"	23"