

# ST-05 | SUBMERSIBLE BOREHOLE PUMPS



302ST-0510 • 302ST-0513 • 302ST-0519 • 302ST-0526 • 302ST-0538

The Speroni submersible borehole pump range covers a wide range of pumping duties for agricultural and domestic applications. Floating type impellers require less starting torque and are less affected by sand or other abrasive materials. Pumps with less than 19 impellers are fitted with one shaft bearing and pumps with more than 19 impellers are fitted with two bearings.

## APPLICATION

- Water supply
- Irrigation
- Pressure boosting

## OPERATING CONDITIONS

- Sand content: Max. 50 g/m<sup>3</sup>

## MOTOR

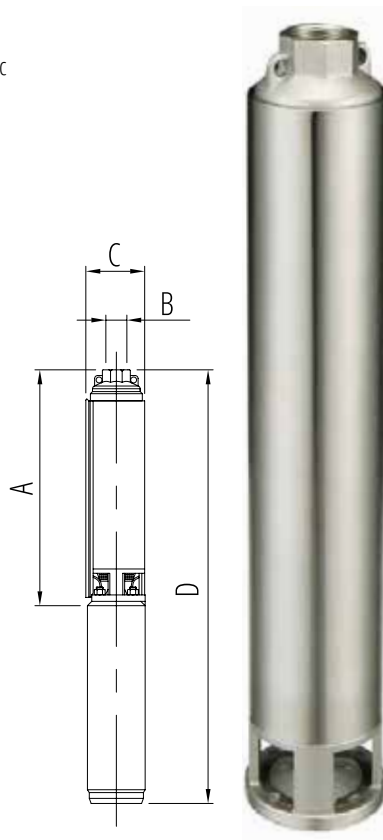
- Insulation Class F
- Protection IP68

## MATERIALS

- Shaft - Hex 304 Stainless Steel
- Shaft Coupling - 304 Stainless Steel
- Impeller - Noryl
- Strainer - 304 Stainless Steel
- Discharge Head - 304 Stainless Steel

SINGLE-PHASE MOTORS				
TYPE	DIMENSIONS mm			
	A	B	C	D
302ST-0510	324	RP/ NPT 1 1/4"	98	670
302ST-0513	377		98	723
302ST-0519	481		98	846
302ST-0526	642		98	1022
302ST-0538	864		98	1307

THREE-PHASE MOTORS				
TYPE	DIMENSIONS mm			
	A	B	C	D
302ST-0510	324	RP/ NPT 1 1/4"	98	654
302ST-0513	377		98	707
302ST-0519	481		98	827
302ST-0526	642		98	1007
302ST-0538	864		98	1282

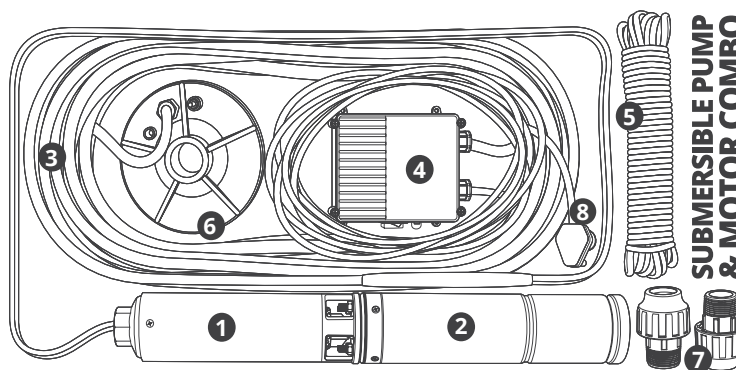


TYPE	MOTOR		Q = CAPACITY									
	P2		m <sup>3</sup> /h	0.3	0.6	0.9	1.2	1.5	1.8	PUMP	ELECTRO PUMP	
	kW	HP	ℓ/min	5	10	15	20	25	30	NET WEIGHT (kg)		
			Total head in meters w.c.								Single-phase	Three-phase
302ST-0510	0.37	0.5	H(m)	67	63	55	46	33	18	3.3	10.6	10
302ST-0513	0.37	0.5		86	78	70	56	42	23	3.7	11	10.4
302ST-0519	0.55	0.75		126	118	105	86	60	30	4.7	12.9	12.1
302ST-0526	0.75	1		173	160	141	117	81	39	5.8	14	14
302ST-0538	1.1	1.5		253	234	208	169	117	52	9.2	18.1	18.1

## SUBMERSIBLE PUMP COMBO 0.37 kW

302ST-0513C

- 1- 302ST-0513 / Speroni Submersible Pump
- 2- Stairs 230 V Submersible Motor
- 3- 50 m Submersible Cable
- 4- Control Box
- 5- Rope
- 6- HDPE Base Plate 32 mm
- 7- 2 x Compression Male Adaptors 32 mm x 1-1/4"
- 8- 5 m Cabtyre & 3 Point Plug



Everything is pre-assembled, cabled jointed to the motor, only the 32 mm HDPE pipe must be supplied for installation. To be installed at a maximum depth of 50 m.

\*\*Not included in kit: 32 mm pipe, inducer sleeve, above ground fittings

