



**Profil Alsace**

## **Products for viticulture and trellising**

Getting innovation into shape – discover our unique hook technology



## The Company

The Profil Alsace/Dr. Reisacher group of companies, based in Alsace, has been manufacturing high-quality steel profiles for viticulture and horticulture for over 30 years.

As the leading manufacturer in Europe, not only do we offer our customers competent and comprehensive support in over 26 countries, but we also work with them to find the best solutions for viticulture and specialised trellis systems. We have developed custom made profiles to meet all possible demands and we work consistently with winemakers from various regions to achieve this.

The posts are batch galvanised for long lasting protection at our in house, ultra-modern galvanising plants. Targeted investments, innovative products and long-term technical development will ensure the high quality standards and durability of our products in the long term.



## Profil Alsace



# Contents

## Hook designs

R-hook	Page 4
Long tapered S-hook	Page 5
Combi-hook	Page 5
Short tapered S-hook	Page 5
S-hook	Page 5
Double hook	Page 5

## Intermediate posts

P3 Profile	Page 6
P4 Profile	Page 8
P5 Profile	Page 10
P5M Profile	Page 12
P5L Profile	Page 14
P5X Profile	Page 16
P6 Profile	Page 18

## End posts

P5E Profile	Page 22
P7E Profile	Page 24

<b>Accessories</b>	Page 26
--------------------	---------

<b>Contact</b>	Page 31
----------------	---------

## R-hook

The R-hooks, available for different post types for the moving wires, demonstrate our latest hook technology.

The unique design of the R-hook has already proven its reliability a million times over. Not only speeding up manual labour, after using the wood stripper and the harvest machine, the fruiting wires can be removed easily from the hooks, both manually and mechanically.

The R-hook has proven its worth when manually moving the fruiting wires to support the leaf wall, reducing labour time by over a third, due to its specific design – enabling the user to rapidly insert and remove the wire from the hook. It is physically impossible for the harvesting machinery to strike the hook into the post because the R-hook is bent upwards, away from the punched hole.

A small nub on the inside of the R Hook means that the fruiting wires are held in place by a clip system, therefore preventing the wires from escaping the hook on undulating terrain.



## 10 mm long tapered S-hook

- Patented technology makes the hook resistant to harvesting baton strikes
- The shape of the hook means it will not go into the punched hole
- Ideal for moveable wires and machinery use
- Flexible – enables small “clip in, clip out” for wire movement



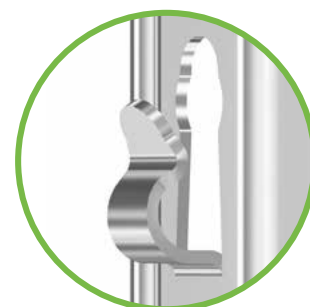
## Combi-hook

- Based on interior notch design on post
- Large opening for wire insertion
- Ridge prevents wire from undesired removal
- Interior notch design enables the post to maintain its lateral section



## 10 mm short tapered S-hook

- Ideal for fixed wires
- Open hook: wide wire insertion aperture
- Closed hook: large eye for wire support
- Extremely rigid and stable
- No damage to harvest machine batons: the hook head lies flat when pushed closed



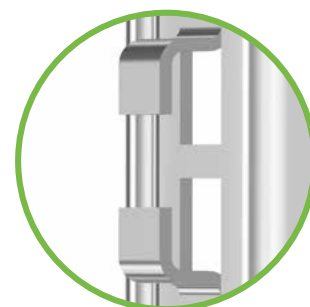
## 8 mm S-hook

Ideal for attaching irrigation wire



## 8 mm Double hook

- For storage of fruiting/moving wires during winter
- Avoids leaving wire on the floor
- Allows ease of machinery use – cultivator/row cleaner



Each vine variety, trellising method and vineyard location has its own requirements. Our intermediate posts offer you the best solution for all types of viticulture and soft fruit trellises.

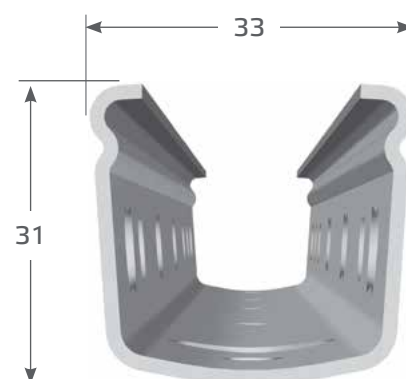
## P3 Profile

The ideal solution for trellis systems with a height of up to 1.20 m above the ground. The P3 profile was specifically developed for lower trellises and is a great post for this application.

Custom designs are available on request.

Our posts are available in 3 different types:

- Hot Dipped Galvanised
- Strip Galvanised (Z350)
- Weathering steel



### P3 Configuration table

Hooks	Post length [cm]	
	140-160	180
	Number of pairs of hooks	
10 mm Short tapered S-hook	1	1
10 mm Long tapered S-hook	4	5
10 mm Short tapered S-hook	1	2
8 mm S-hook	1	1
8 mm Double hook	1	1
<b>Total number of pairs of hooks</b>	<b>8</b>	<b>10</b>

### P3 Installation depth table

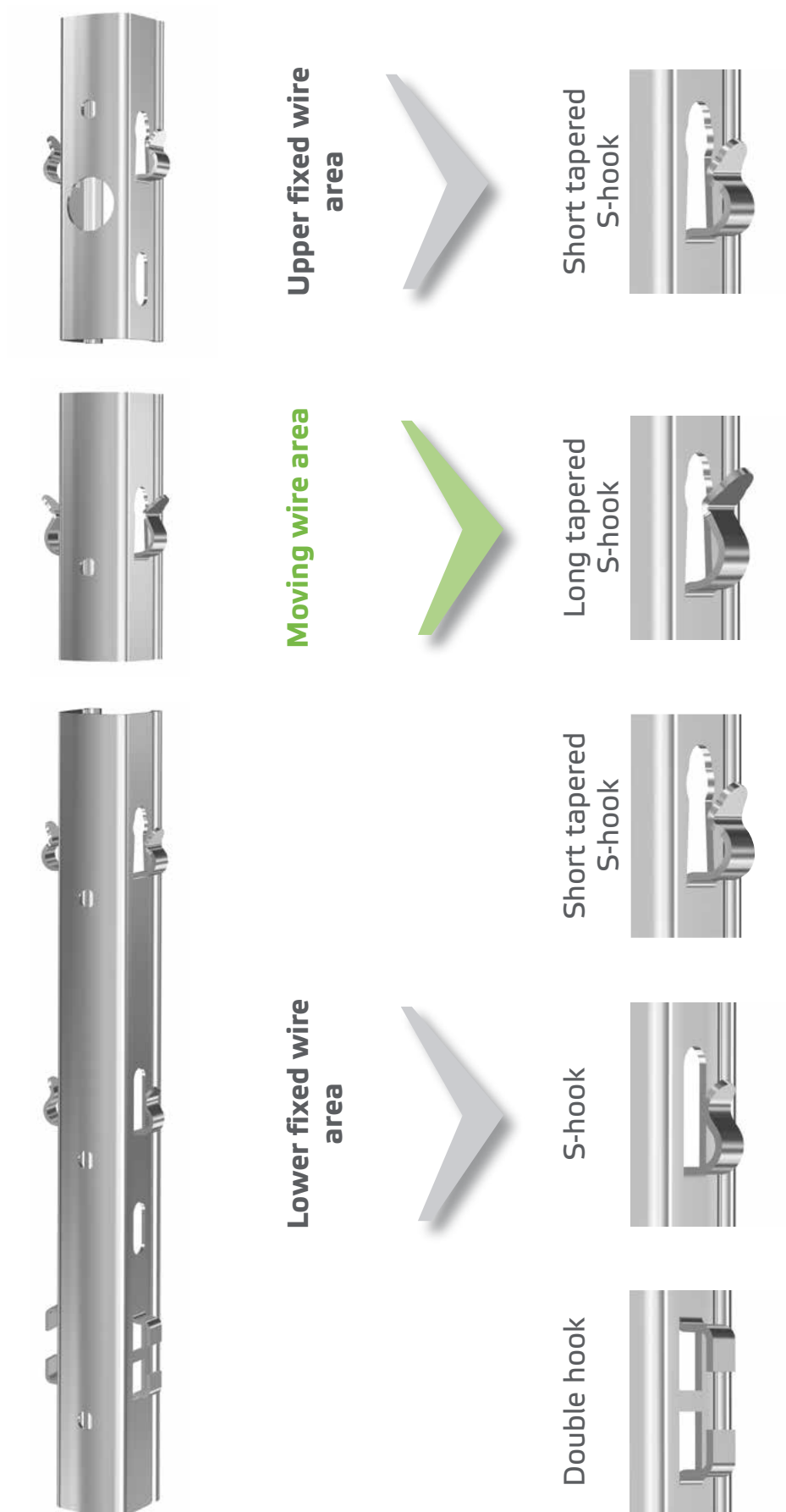
Post length [cm]	Recommended installation depth [cm]
140	40-45
160	50
180	55

For intermediate posts the profile opening should always be facing the slope.



# P3 Profile

## 3-hook system: the right hook for each application



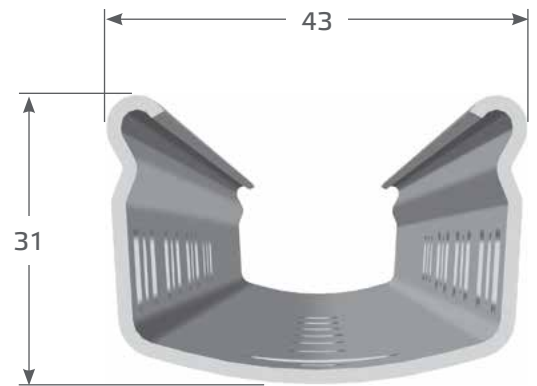
## P4 Profile

The P4 can be used for low and medium trellis system heights of up to 1.60 m above the ground. It is fitted with tapered S-hooks in the standard version and is also available with Combi-hooks.

Custom designs are available on request.

**Our posts are available in 3 different types:**

- Hot Dipped Galvanised
- Strip Galvanised (Z350)
- Weathering steel



**P4 Configuration table**

Hooks	Post length [cm]		
	140-160	180-190	200-220
	Number of pairs of hooks		
10 mm Short tapered S-hook	1	1	1
10 mm Long tapered S-hook	4	5	6
14 mm Combi-hook	4	5	6
R - hook	4	5	6
10 mm Short tapered S-hook	1	2	3
8 mm S-hook	1	1	1
8 mm Double hook	1	1	1
<b>Total number of pairs of hooks</b>	<b>8</b>	<b>10</b>	<b>12</b>

**P4 Installation depth table**

Post length [cm]	Recommended installation depth [cm]
140	40-45
160	50
180	55
200	60-65
220	65

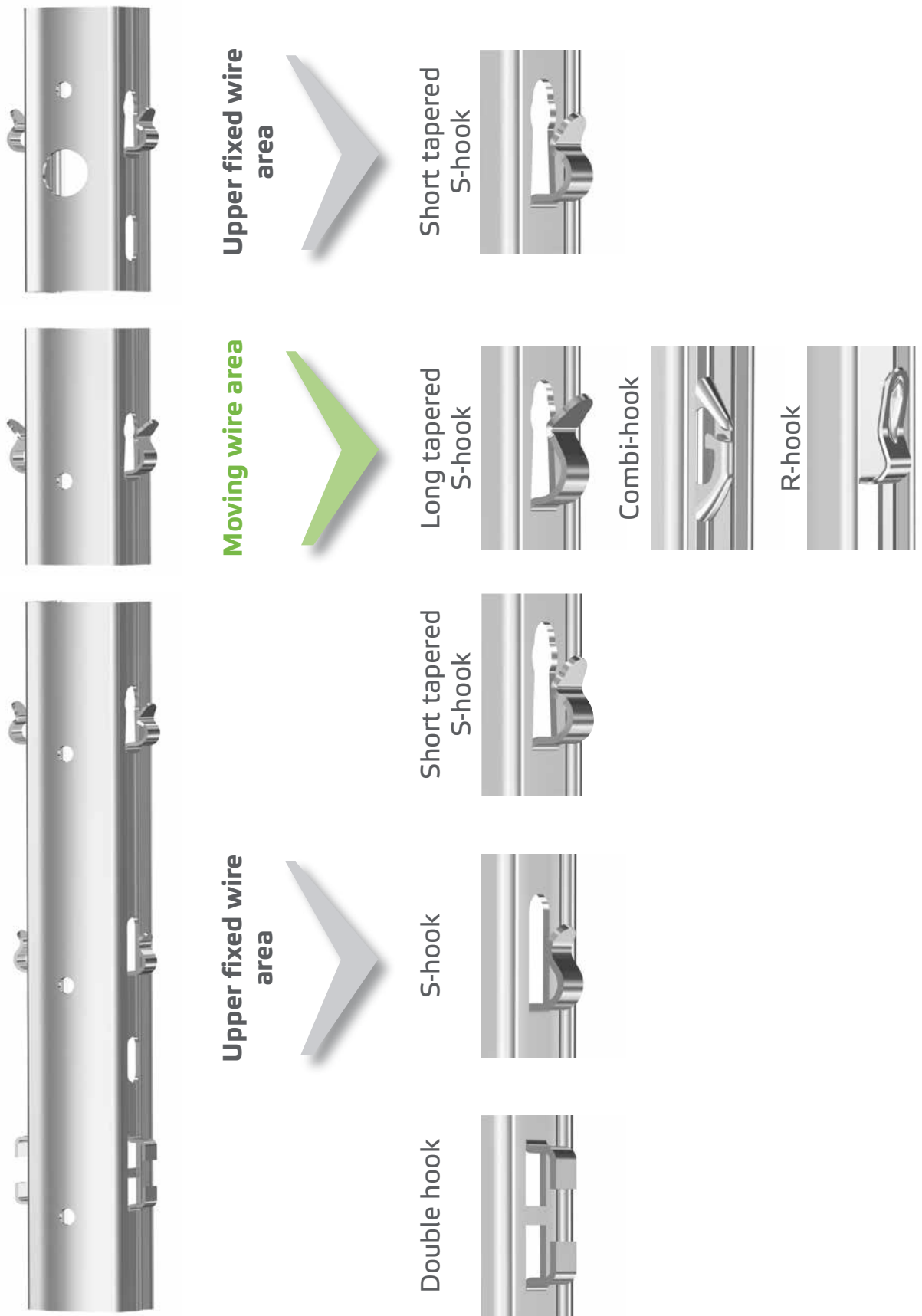
**For intermediate posts the profile opening should always be facing the slope.**





# P4 Profile

## 3-hook system: the right hook for each application



## P5 Profile

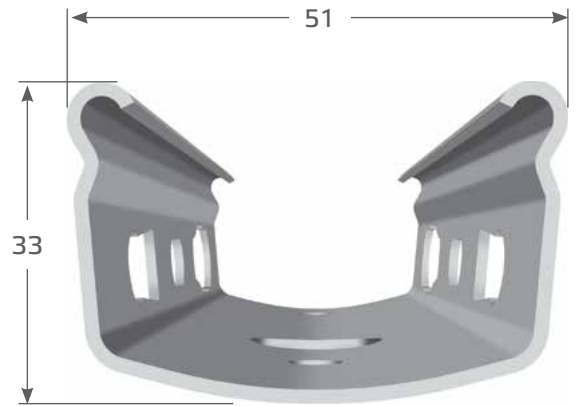
The dimensions of the P5 mean that it can be used for intermediate and high trellis heights of up to 1.85 m above the ground.

The standard design is made with a distance of 10 cm between hooks and the patented tapered S-hook. It is also available with the new R-hook as well as with the Combi-hook.

Custom designs are available on request.

**Our posts are available in 3 different types:**

- Hot Dipped Galvanised
- Strip Galvanised (Z350)
- Weathering steel



### P5 Configuration table

Hooks	Post length [cm]		
	180-190	200-220	240-270
	Number of pairs of hooks		
10 mm Short tapered S-hook	1	1	1
10 mm Long tapered S-hook	5	6	7
10 mm R-hook	5	6	7
14 mm Combi-hook	5	6	7
10 mm Short tapered S-hook	2	3	4
8 mm S-hook	1	1	1
8 mm Double hook	1	1	1
<b>Total number of pairs of hooks</b>	<b>10</b>	<b>12</b>	<b>14</b>

### P5 installation depth table

Post length [cm]	Recommended installation depth [cm]
180	55
200	60-65
220	65
240	70
250	75
260	80
270	85

**For intermediate posts the profile opening should always be facing the slope.**



# P5 Profile

## 3-hook system: the right hook for each application



Upper fixed wire area



Short tapered S-hook



Moving wire area



Long tapered S-hook



R-hook



Combi-hook



Lower fixed wire area



S-hook



Short tapered S-hook



Double hook



## P5M Profile

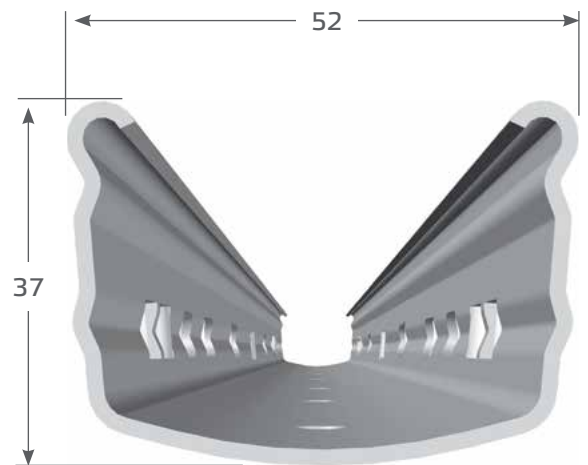
This variant of the P5 post, which has a reinforced lateral length (37 mm), can be used for trellises of up to a height of 1.95 m above the ground.

The P5M is manufactured with the tapered S-hook on the standard model. These form large, stable wire eyes and are suitable for use with any machinery in the vineyard. The new R-hook can be used here, as well as the Combi-hooks.

Custom designs are available on request.

**Our posts are available in 3 different types:**

- Hot Dipped Galvanised
- Strip Galvanised (Z350)
- Weathering steel



### P5M Configuration table

Hooks	Post length [cm]	
	230-270	280
	Number of pairs of hooks	
10 mm Short tapered S-hook	1	1
10 mm Long tapered S-hook	7	7
10 mm R-hook	7	7
14 mm Combi-hook	7	7
10 mm Short tapered S-hook	4	4
8 mm S-hook	1	3
8 mm Double hook	1	1
<b>Total number of pairs of hooks</b>	<b>14</b>	<b>16</b>

### P5M installation depth table

Post length [cm]	Recommended installation depth [cm]
230	65-70
240	70
250	75
260	80
270	85
280	90

**For intermediate posts the profile opening should always be facing the slope.**



### 3-hook system: the right hook for each application

# P5M Profile



Lower fixed wire area



Double hook



S-hook



Short tapered S-hook



Moving wire area



Long tapered S-hook



R-hook



Combi-hook



Upper fixed wire area



Short tapered S-hook



# P5L Profile

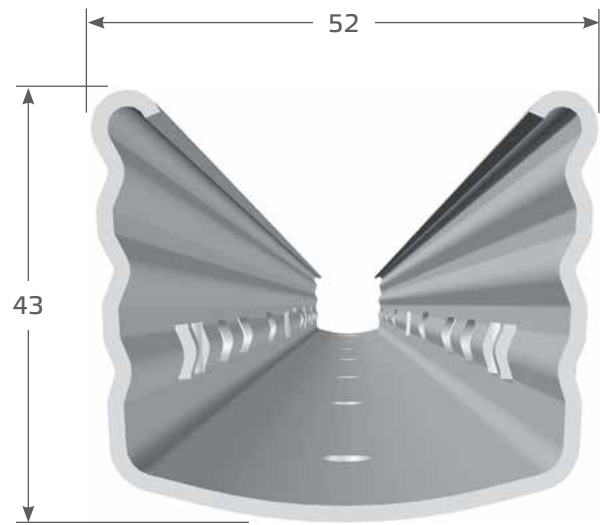
The large lateral profile is even greater with the P5L. A side length of 43 mm guarantees stability for tall and high load trellises of up to 2.10 m above the ground.

The post is manufactured with 10 cm between hooks and the patented tapered S-hook is fitted as standard. The new R-hook and Combi-hook can also be used here.

Custom designs are available on request.

**Our posts are available in 3 different types:**

- Hot Dipped Galvanised
- Strip Galvanised (Z350)
- Weathering steel



## P5L Configuration table

Hooks	Post length [cm]	
	250-270	280-300
	Number of pairs of hooks	
10 mm Short tapered S-hook	1	1
10 mm Long tapered S-hook	7	7
10 mm R-hook	7	7
14 mm Combi-hook	7	7
10 mm Short tapered S-hook	4	4
8 mm S-hook	1	3
8 mm Double hook	1	1
<b>Total number of pairs of hooks</b>	<b>14</b>	<b>16</b>

## P5L installation depth table

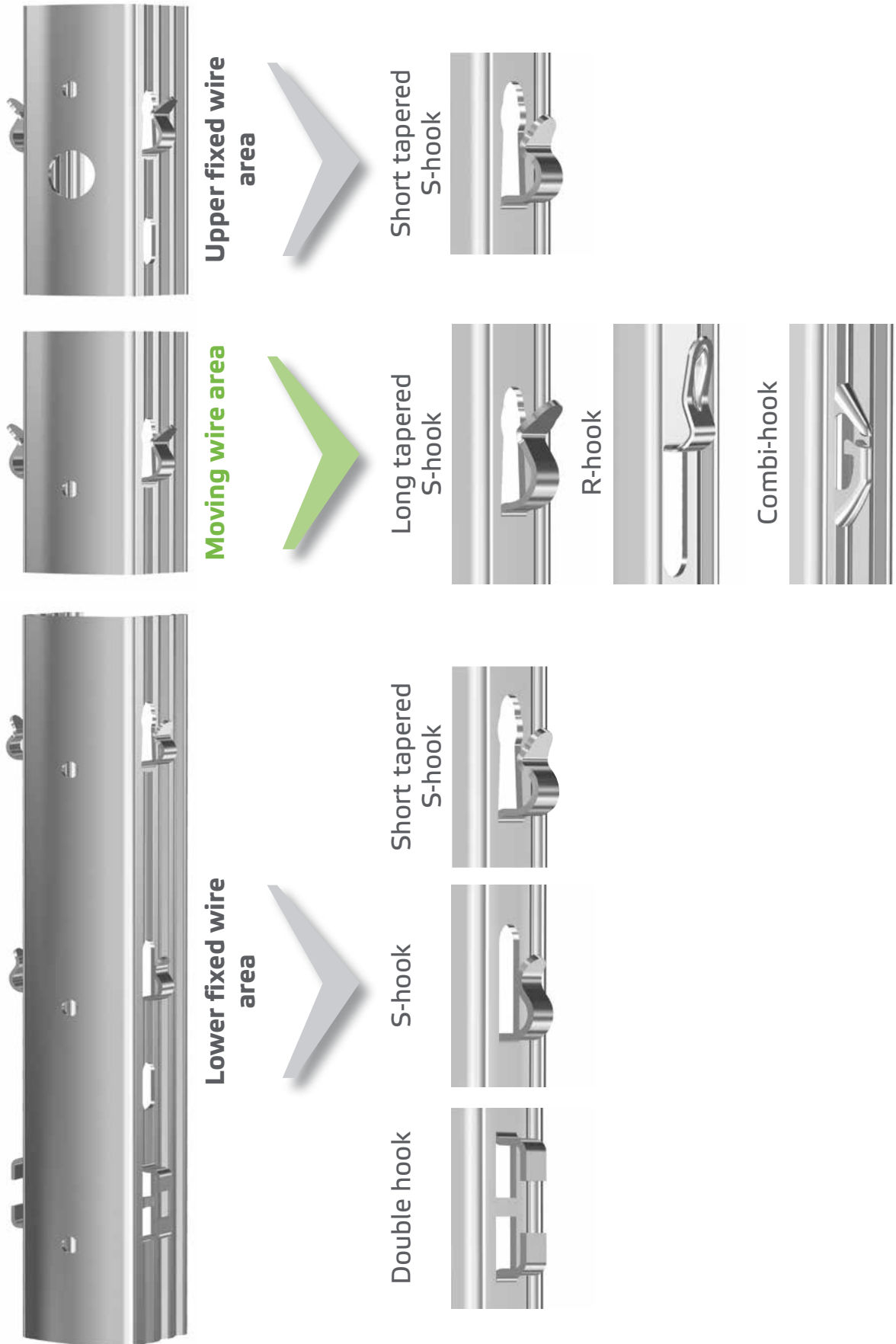
Post length [cm]	Recommended installation depth [cm]
250	70-75
260	80
270	85
280	90
300	95

**For intermediate posts the profile opening should always be facing the slope.**



# P5L Profile

## 3-hook system: the right hook for each application

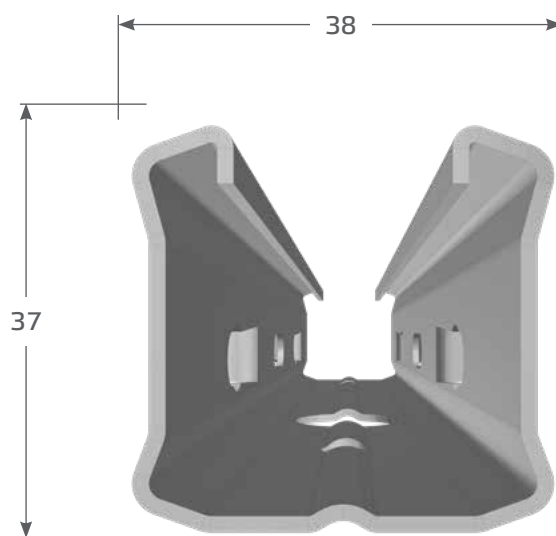


## P5X Profile

The P5X was developed for use in difficult ground. Due to the almost square shape and compact profile, it is very stable and robust, whilst maintaining flexibility for use with all types of vineyard machinery.

The standard version of the P5X is manufactured with the R-hook. S-hooks, Combi-hooks and double hooks options are also available, as with all our models.

**Our posts can be produced in Hot Dipped Galvanised steel, strip galvanised steel (Z350) and in weathering steel.**



### P5X Configuration table

Hooks	Post length [cm]		
	180-190	200-220	240-270
	Number of pairs of hooks		
10 mm short tapered S-hook	1	1	1
10 mm long tapered S-hook	5	6	7
10 mm R-hook	5	6	7
14 mm Combi-hook	5	6	7
10 mm short tapered S-hook	2	3	4
8 mm S-hook	1	1	1
8 mm Double hook	1	1	1
<b>Total number of pairs of hooks</b>	<b>10</b>	<b>12</b>	<b>14</b>

### P5X Installation depth table

Post length [cm]	Recommended installation depth [cm]
180	55
200	60-65
220	65
240	70
250	75
260	80
270	85

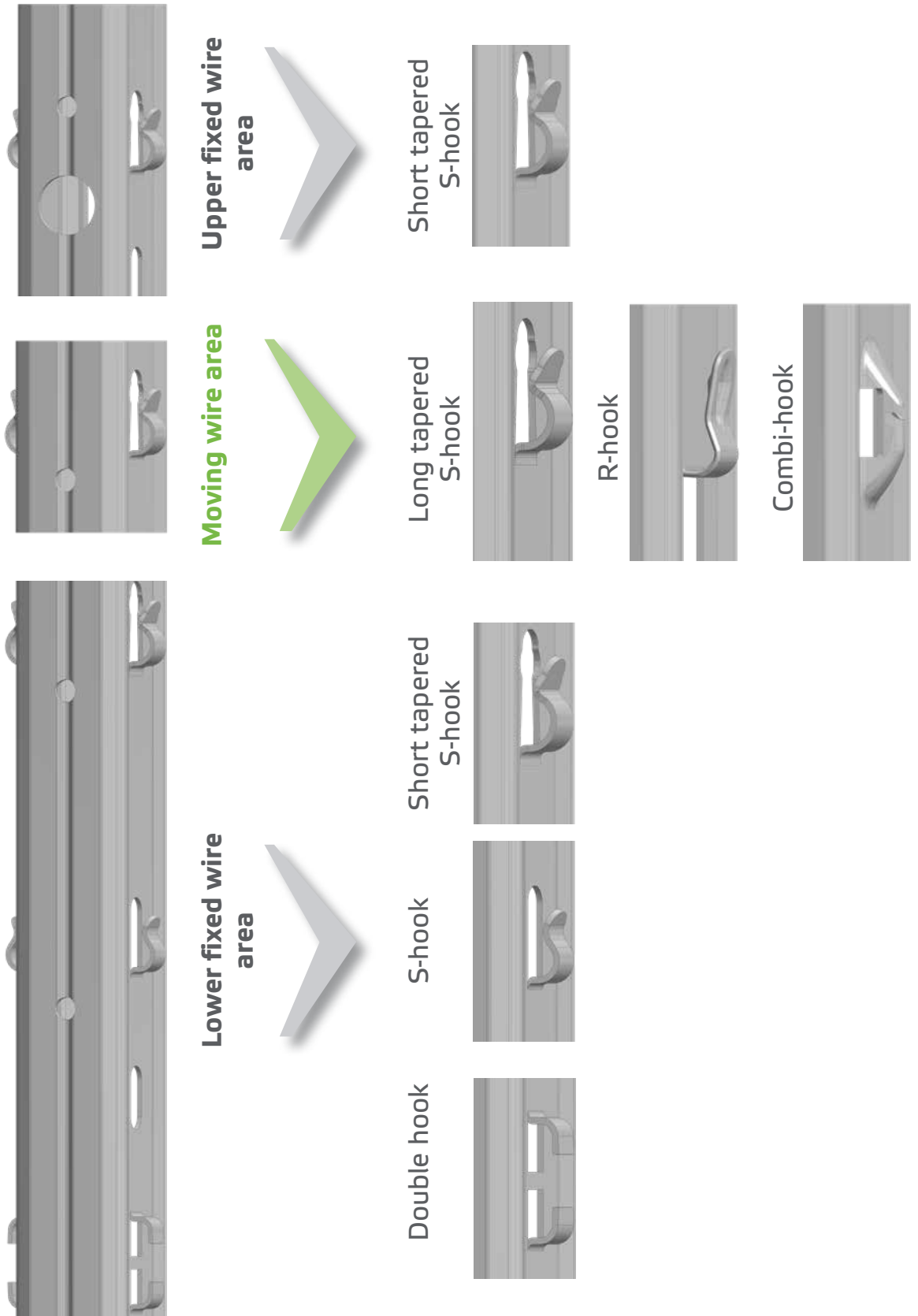
**For intermediate posts the profile opening should always be facing the slope.**





# P5X Profile

## 3-hook system: the right hook for each application

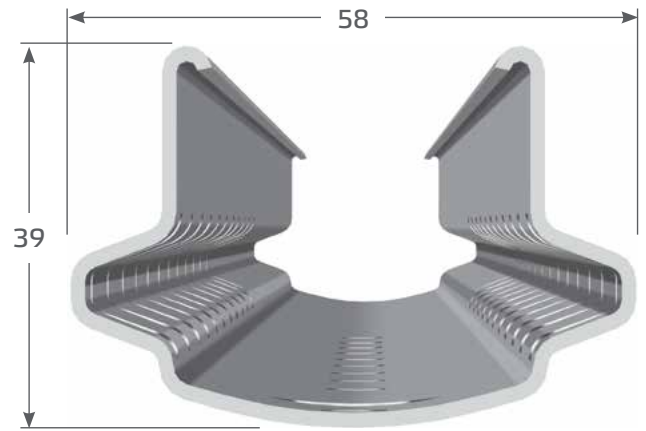


## P6 Profile

With its interior notches, the P6 is the perfect solution for users of more traditional types of posts. The post profile is suitable for low, intermediate and high trellis systems with a height of up to 1.90 m above the ground.

Due to varied requirements, we offer the P6 with 3 different notch designs. The interior notch is located in the upper area, where it safely holds fixed and moving wires and prevents them from jumping out. The interior angled notch is located in the fixed wire area and this holds the wires securely in position. The lower end comprises of the interior double notch, which enables the user to attach the moving wires during the winter months.

All the notches are characterised by large insertion apertures and high levels of stability and functionality.



**Our posts are available in 3 different types:**

- Hot Dipped Galvanised
- Strip Galvanised (Z350)
- Weathering steel

### P6 Configuration table

Notches	Post length [cm]	
	200-220	230-270
	Number of pairs of notches	
Interior notch	8	8
Interior angled notch	3	4
Interior double notch	1	2
<b>Total number of pairs of notches</b>	<b>12</b>	<b>14</b>

### P6 installation depth table

Post length [cm]	Recommended installation depth [cm]
220	65
230	70
240	70-75
250	75
260	80
270	85

**For intermediate posts the profile opening should always be facing the slope.**



# P6 Profile

## The right notch for each application



Upper fixed wire area



Interior notch



Moving wire area



Interior notch



Lower fixed wire area



Interior double notch



Interior angled notch





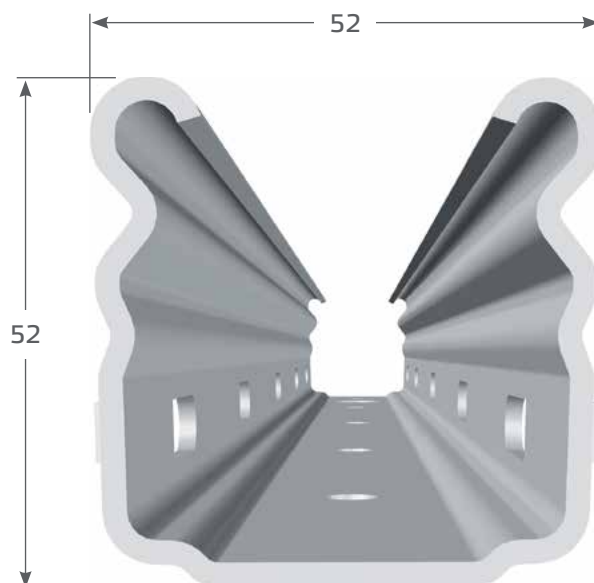


Every trellis structure needs strong base. The end post plays an important role in this. We offer solutions for all the requirements, combining different profiles and heights of posts.

## P5E Profile

The P5E end post provides the best solution for all systems:

- Large pull out hole
- Attachment holes in the back wall for a centre tensioning of fixed wires
- Holes at ground level for the base plate
- Attach end posts to the base plate using a simple plug system
- Options for attaching any type of brackets for chains
- Lateral hooks can be used to attach and tension wires
- Available in four thicknesses:
  - up to 80 m row length with 1.65 mm thickness
  - over 80 m row length with 2.15 mm thickness in HDG
  - over 150 m row length with 2.65 mm thickness.
  - 2 mm thick for strip galvanised Z350



**Our posts are available in 3 different types:**

- Hot Dipped Galvanised
- Strip Galvanised (Z350)
- Weathering steel

The open side of the profile must face the anchor point.

### P5E Configuration table

Hooks	Post length [cm]							
	140	160	180	200	230	250	275	300
	Number of pairs of hooks							
S-hook	8	8	10	12	14	14	14	16
Total number of pairs of hooks	8	8	10	12	14	14	14	16

### P5E installation depth table

Post length [cm]	Recommended installation depth [cm]
140	40-45
160	50
180	55
200	60-65
230	70
250	70-75
275	85
300	95

The end post should always be installed approximately 10-20 cm deeper than the first or last intermediate post.



# P5E Profile

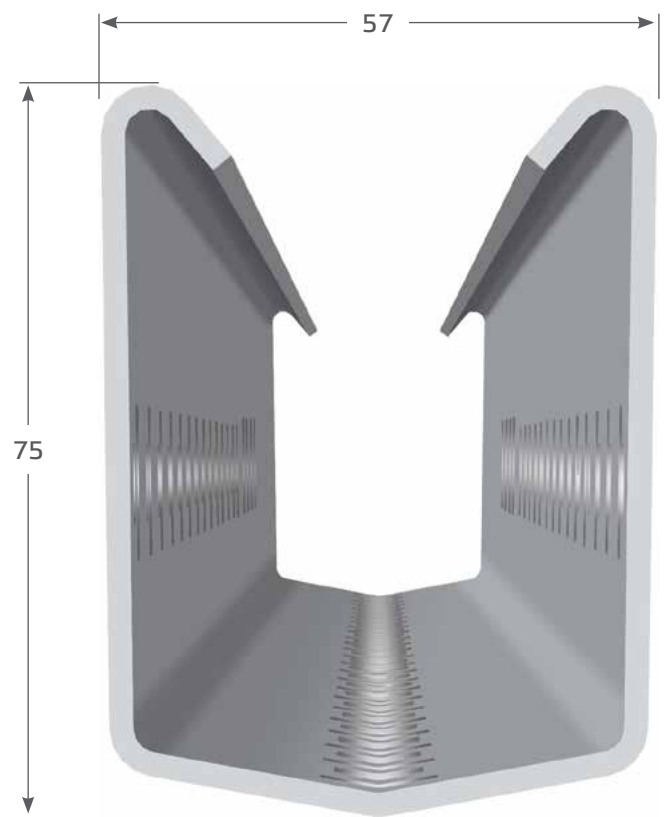


## P7E Profile

The P7E end post was specifically developed for dynamic use for viticulture and trellis systems. Modern vineyard labour is becoming increasingly more automated, so the modern trellis needs to be flexible and resistant. The wires can be installed to be fixed or movable with the accessories that are specially developed for the P7E.

The dimensions of 75 mm in the direction of tension and material thicknesses of up to 2.65 mm give the P7E stability that can satisfy the highest demands.

- Attachment holes in the back wall for a centre tensioning of fixed wires
- Holes at ground level for the base plate
- Attach end posts to the base plate using a simple plug system
- Options for attaching any type of brackets for chains
- End posts available in three thicknesses:
  - up to 80 m row length with 1.65 mm thickness
  - over 80 m row length with 2.15 mm thickness
  - over 150 m row length with 2.65 mm thickness.



**Our posts are available in 3 different types:**

- Hot Dipped Galvanised
- Strip Galvanised (Z350)
- Weathering steel

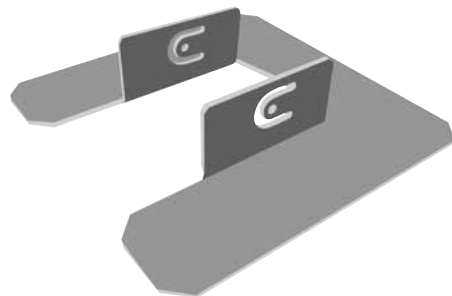
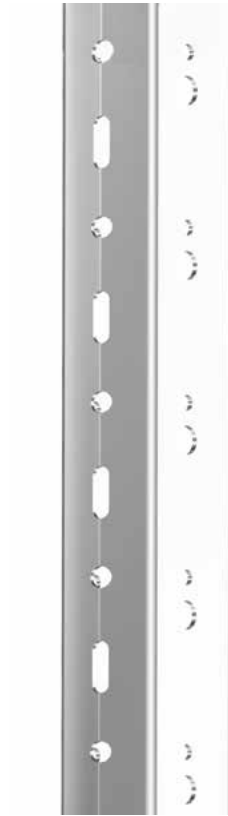
**P7E installation depth table**

Post length [cm]	Recommended installation depth [cm]
250	90
270	95
280	95
300	95





# P7E Profile



## Accessories



### **P3 Impact protector**

Fits the P3 intermediate post.

### **P5 Impact protector**

Fits all posts in the P5 series.

### **P4 + P6 Impact protector**

Fits the P4 and P6 intermediate post.

Prevents the posts from being damaged upon machinery installation.



### **Plastic hooks for S and R-hooks**

Protects plastic and plastic-coated wires from damage. The plastic hook can also be used as a replacement hook and can prevent wires from pulling out on undulating terrain. In more extreme slopes, the plastic hook can be turned by 180° to create an inverted hook, eliminating unwanted wire movement.



### **1: Install key**

The install key is used to attach the plastic hooks to the post.

### **2: Push fit tensioner (P7E)**

Simple tensioning of fixed wires.





### Hook bracket

The hook bracket is inserted into a hook pair on the P5E end posts or clicked into the eyes in the holes on the post on the end post P7E. Chains or wire tensioners can be attached to the ends of the bracket.



### Plastic wire protector

Protects plastic and plastic-coated wires from damage. An additional plastic tab prevents the wires from jumping out.

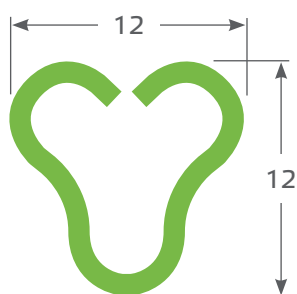


### Base plate

The base plate prevents the end posts from sinking. The locking pin on the base plate for the P5E is not included.

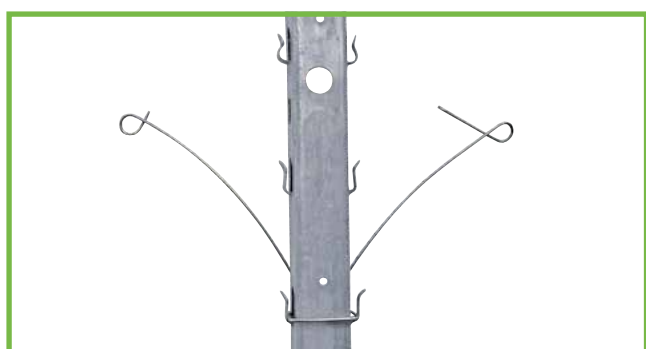


## Accessories



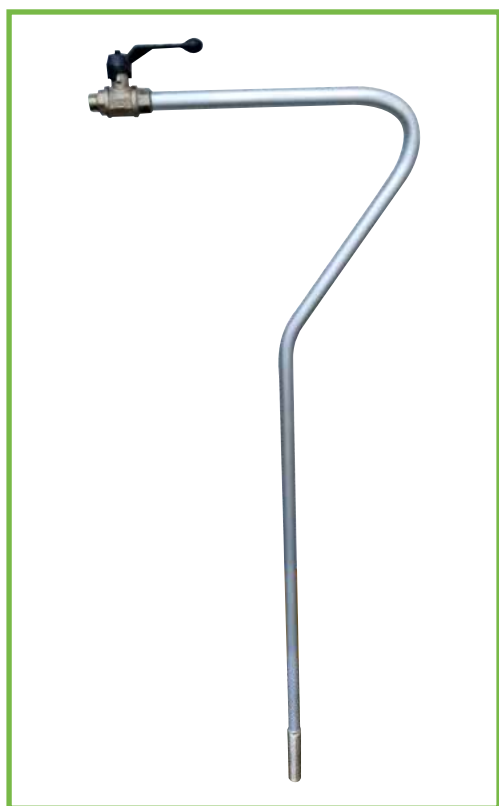
### Plant stake

The main purpose of our plant stake is to ensure the plant grows vertically to the cordon wire, in new installations and replacement vines. Our stakes are light and not ribbed, which means they are easily removed from the ground after use. Adapted to machinery use and inter-vine cleaners, they protect your plant from machinery. The triple sided profile prevents the stakes from being bent by the harvesting slats on the harvester and cultivators.



### Wire spreader

The wire spreader is fixed directly onto the moving/fruiting wires, and sits on a pair of hooks to secure it into position. The height location of the wire spreader depends on how the vines are trained. The double wires that are attached to the wire spreader are then opened between 20 or 30 cm wide in the spring after the vines are pruned. This ensures that the shoots grow between the moving/fruiting wires. After the shoots have reached the desired height, the wire spreader can be closed and the shoots are fixed upwards for further vertical growth in a single step. Depending on the vine variety and the growth of the vines, this can then be repeated in the upper wire areas of the trellis and therefore the row of vines closed completely in a second step. This wire laying system substantially reduces manual labour, depending on the vine variety.

**Water lance**

To rinse the placement holes in dry and stony ground.

**Manual Post Driver**

The specific design of the manual post driver offers protection for the posts during installation and avoids damaging the hooks on installation.

- For low and high trellis systems
- Available with or without sound insulation

**ONLY FOR USE WITH HEARING PROTECTION**





For custom post designs, the delivery quantity can differ from the order quantity by up to +/- 10% as production-related lot sizes must be taken into account and no stock goods can be produced.

The usage and safety notes as well as information on galvanising can all be found at [www.profilalsace.com](http://www.profilalsace.com)



## Profil Alsace

A company of



Website



Youtube

Profil Alsace S.A.S.  
Zone Industrielle Kiesweg  
F-67630 Niederlauterbach  
Tel.: +33 (0) 3 88 94 68 88  
Fax: +33 (0) 3 88 94 68 85  
E-Mail: [info@profilalsace.com](mailto:info@profilalsace.com)  
[www.profilalsace.com](http://www.profilalsace.com)

