

1/48 SCALE MODEL CONSTRUCTION KIT

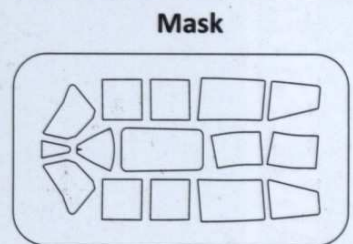
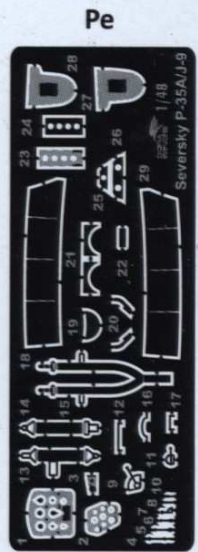
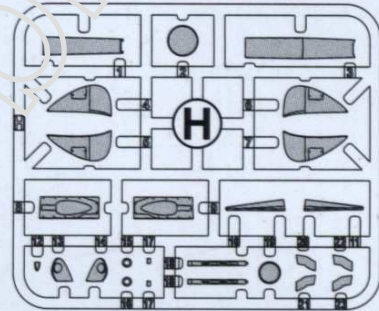
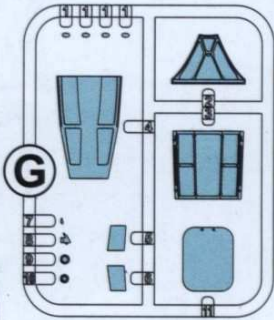
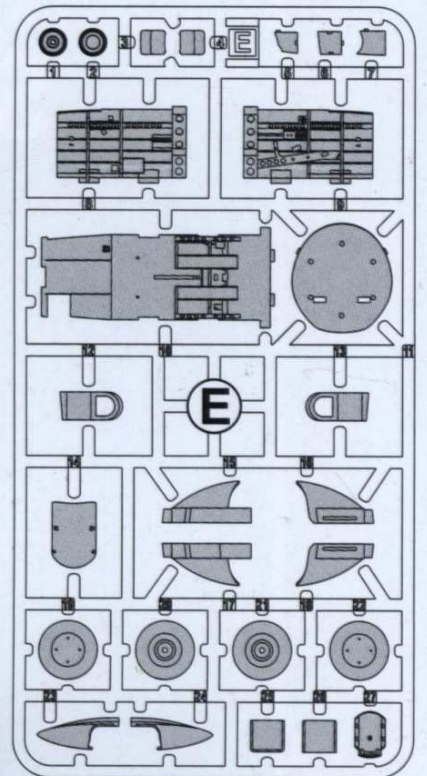
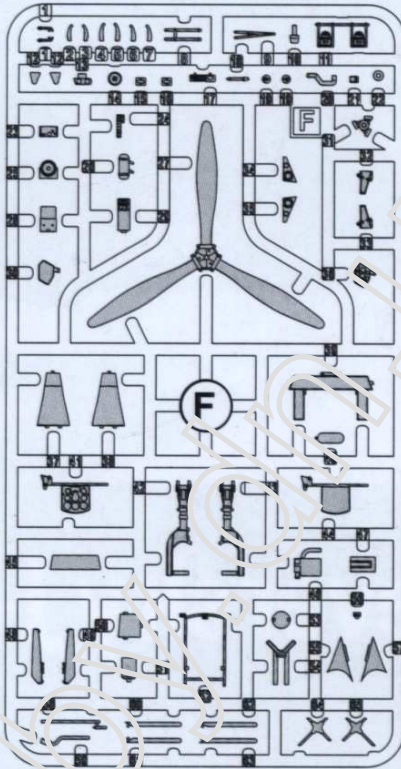
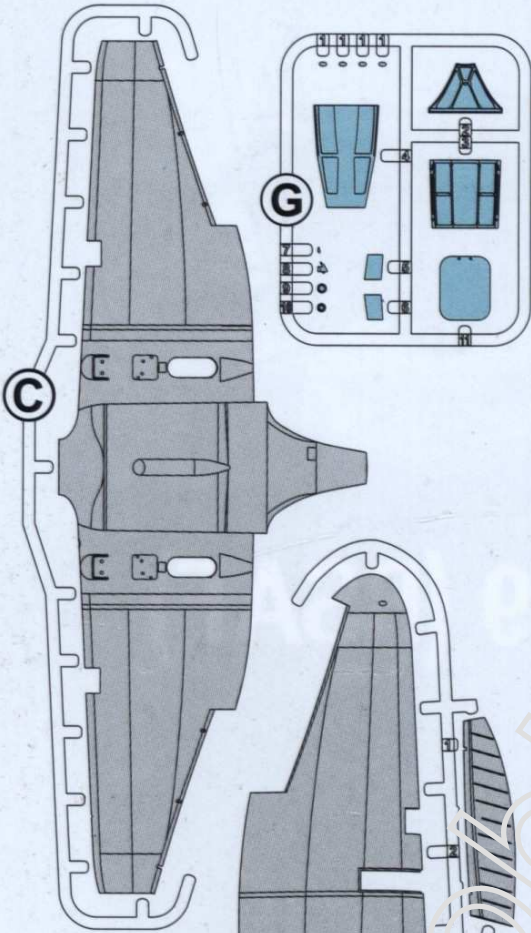
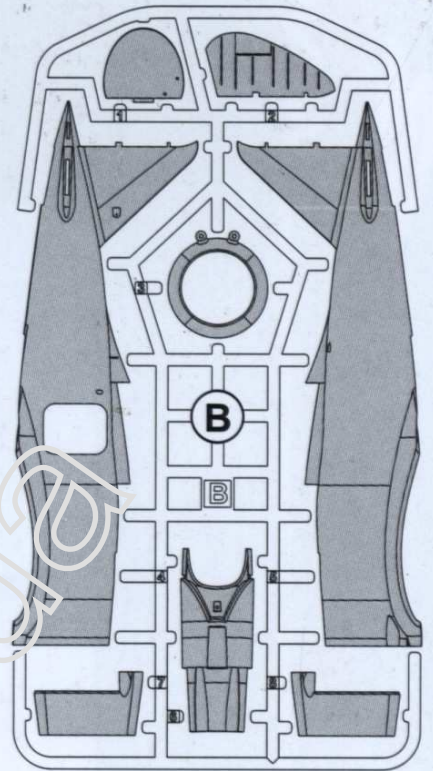
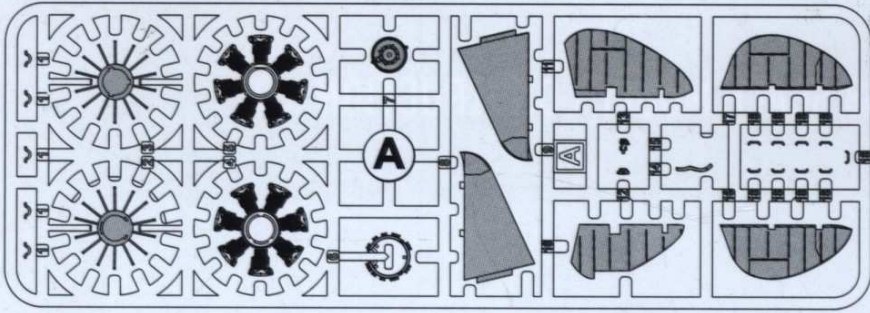


# Seversky J-9 (RSAF)

DW 48042



# PARTS OF THE MODEL



Pe

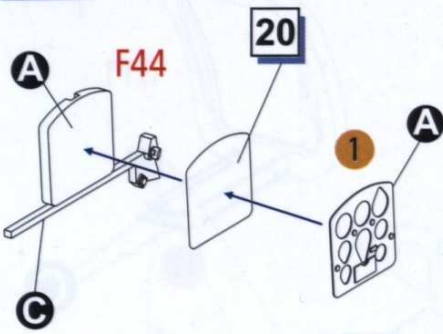
Decal

Mask

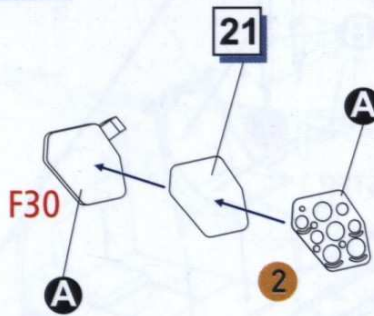


# ASSEMBLY INSTRUCTION

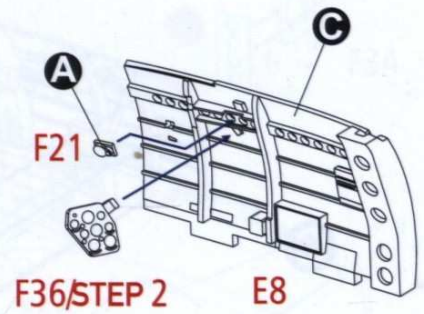
1



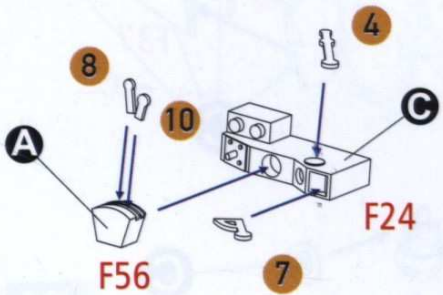
2



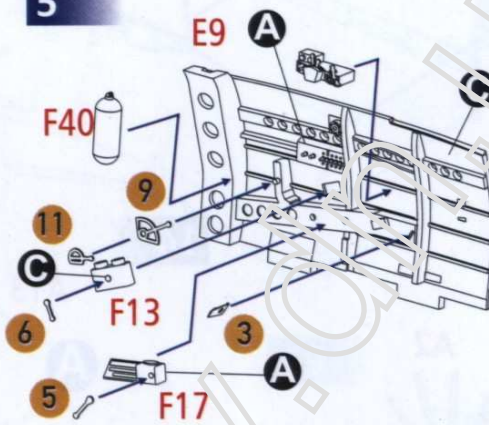
3



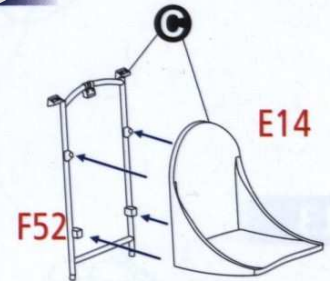
4



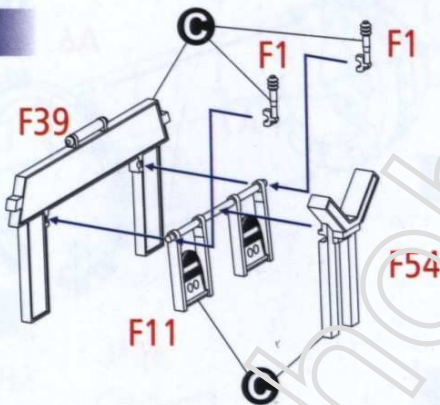
5



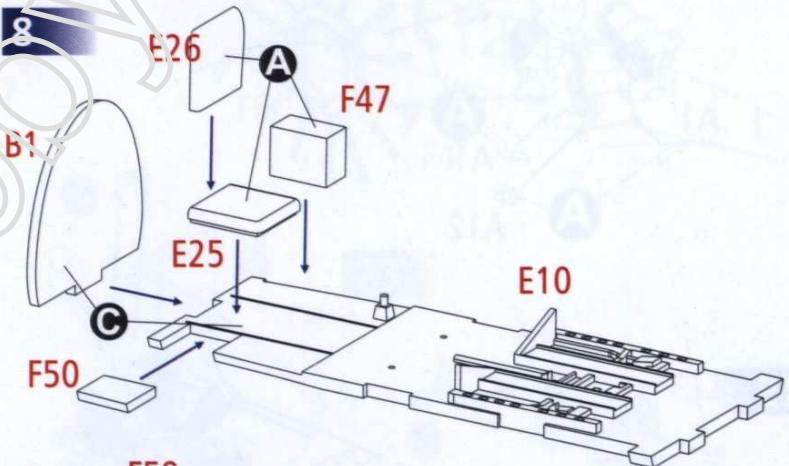
6



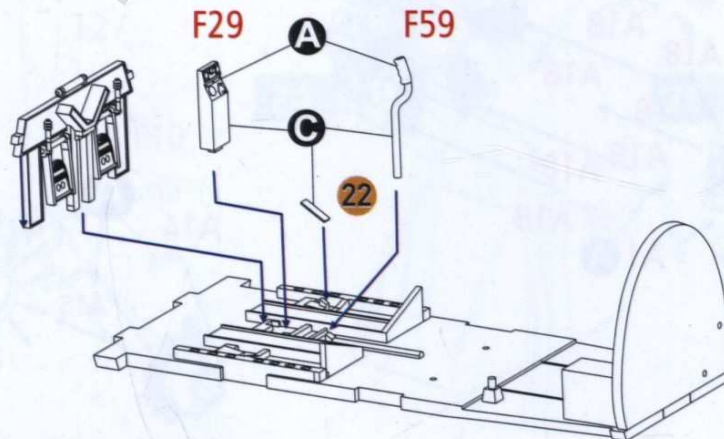
7



8

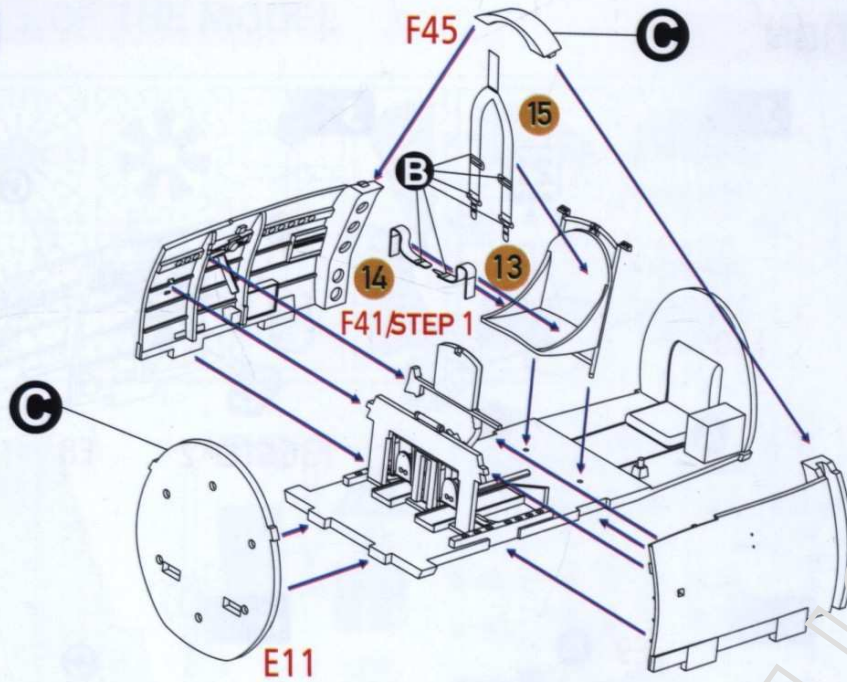


9

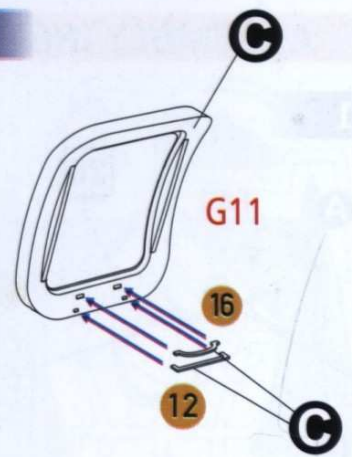




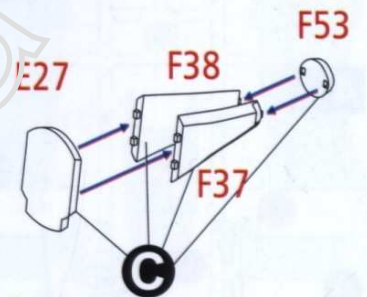
10



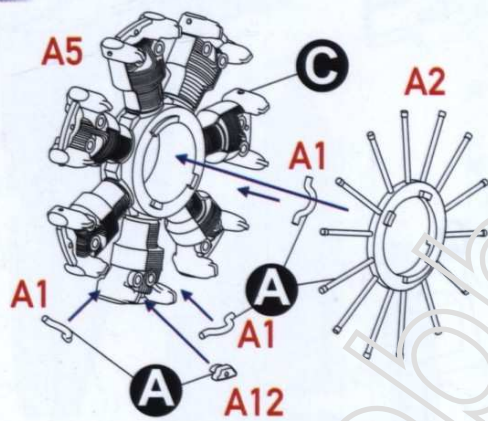
11



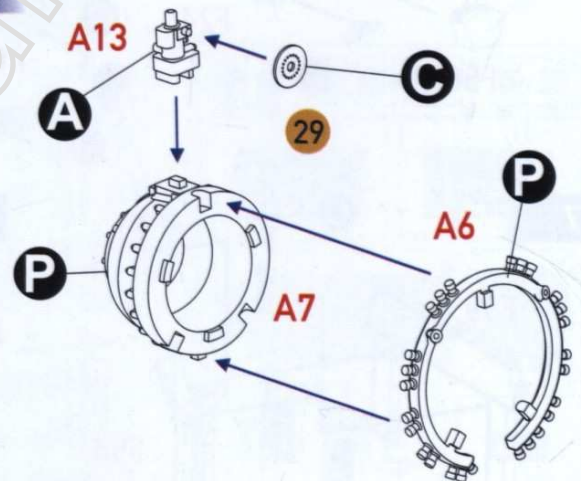
12



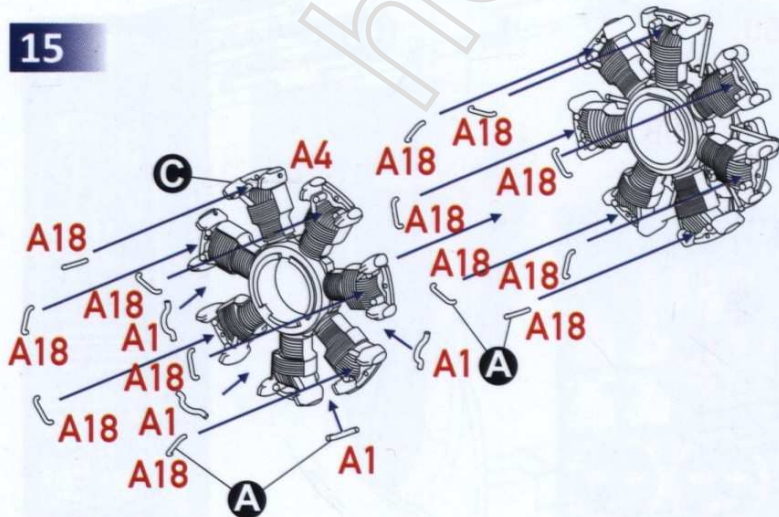
13



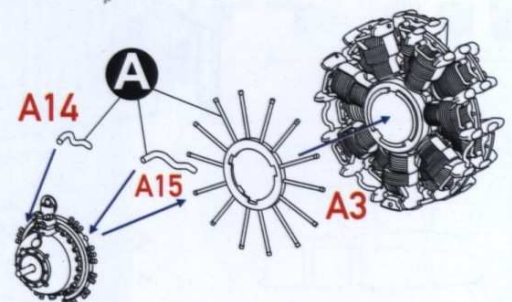
14



15



16

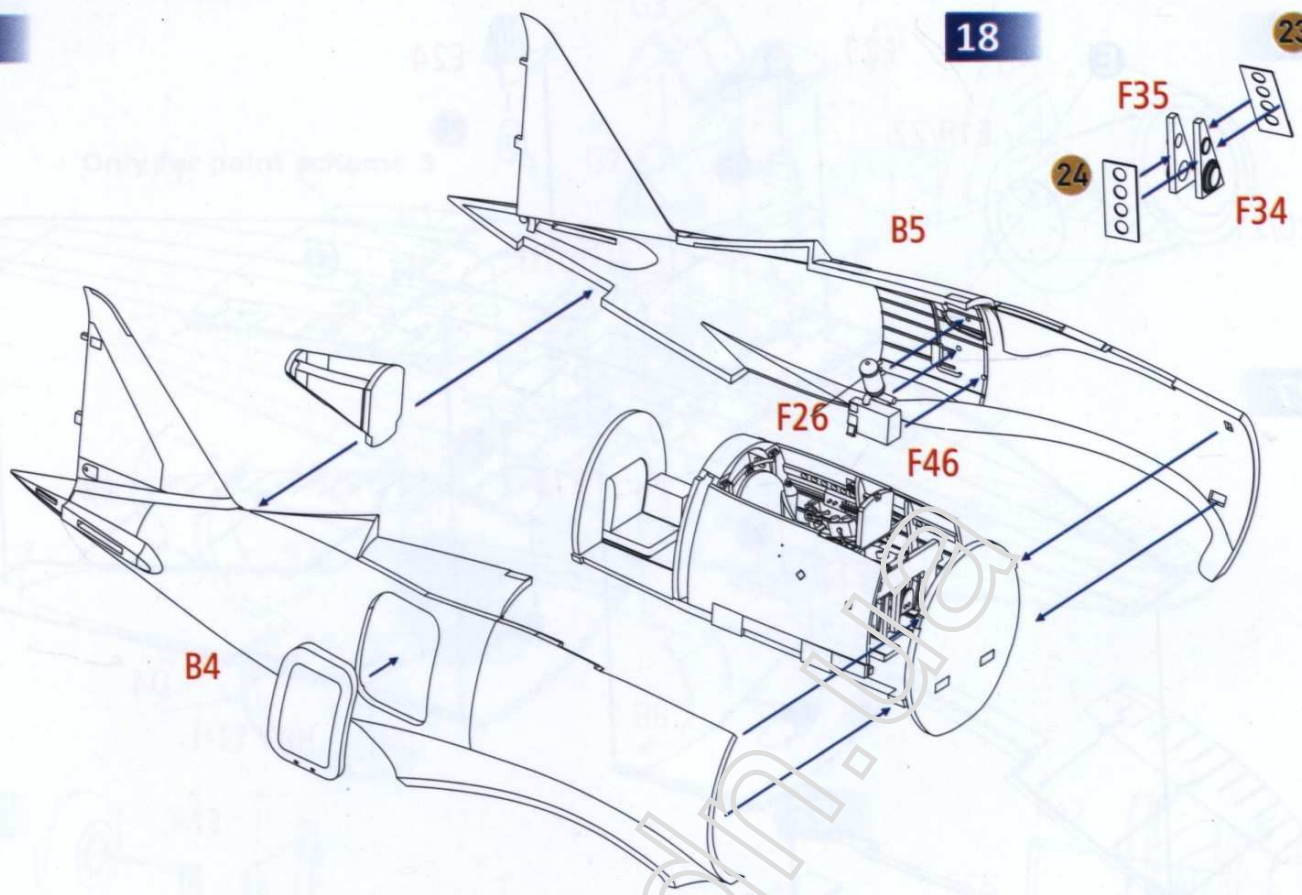




17

18

23



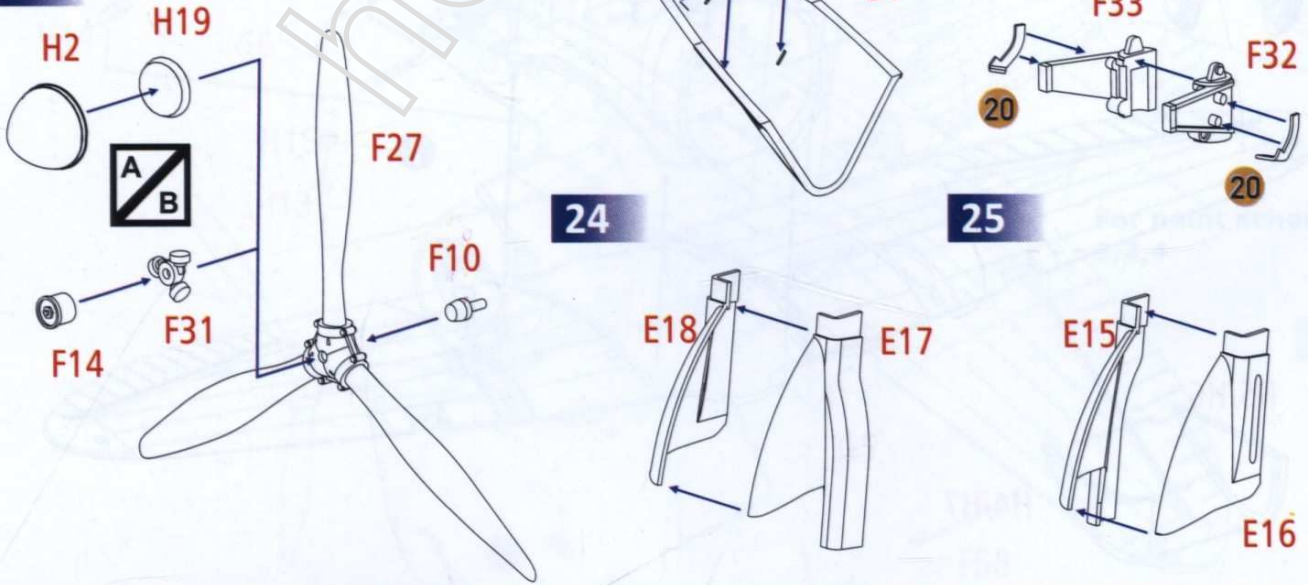
20

19

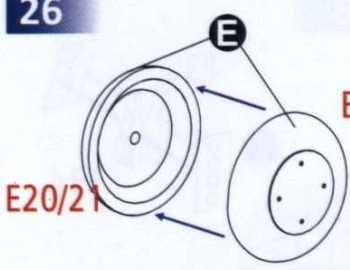


21

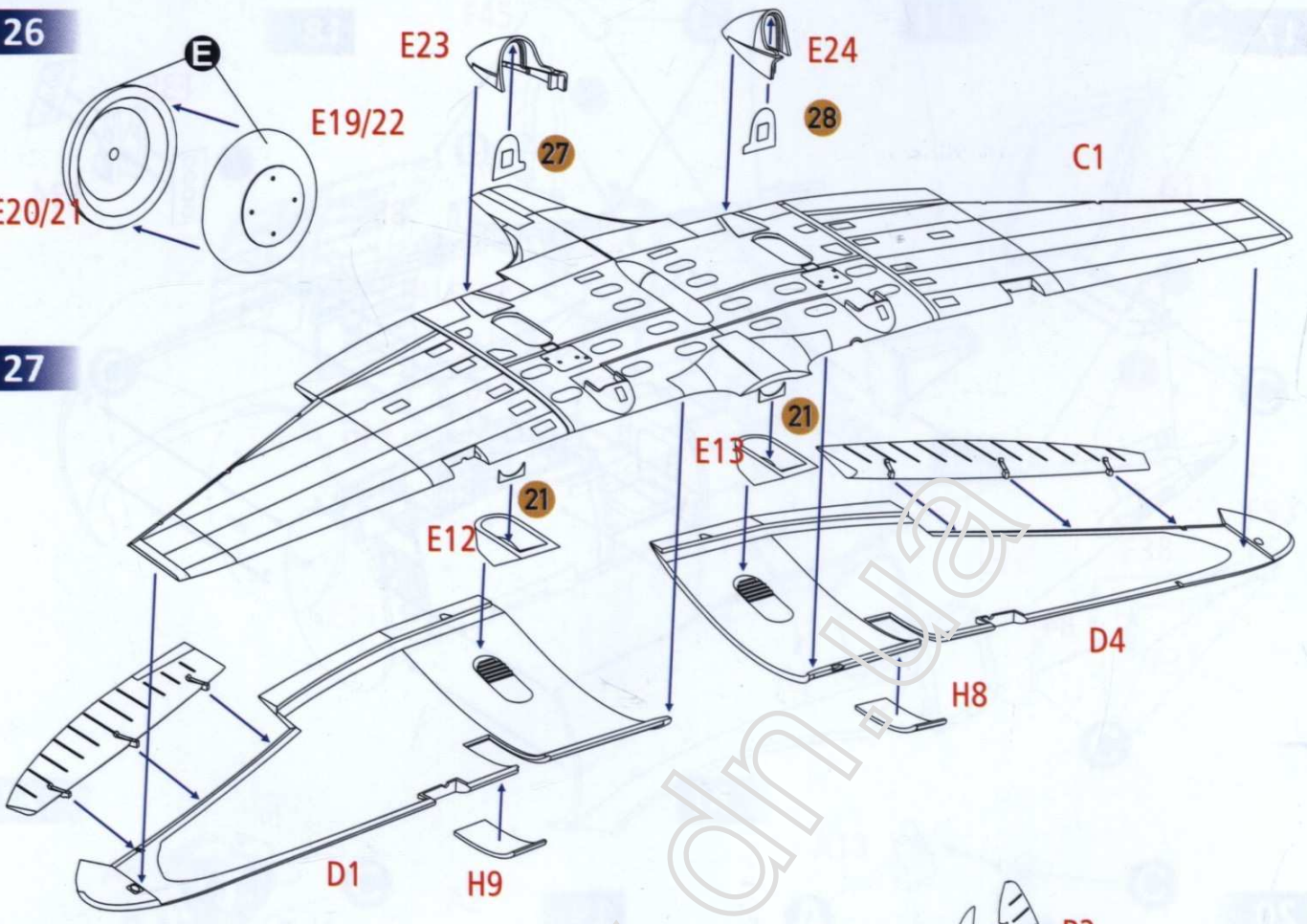
23



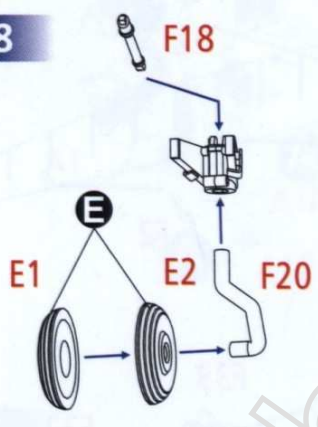
26



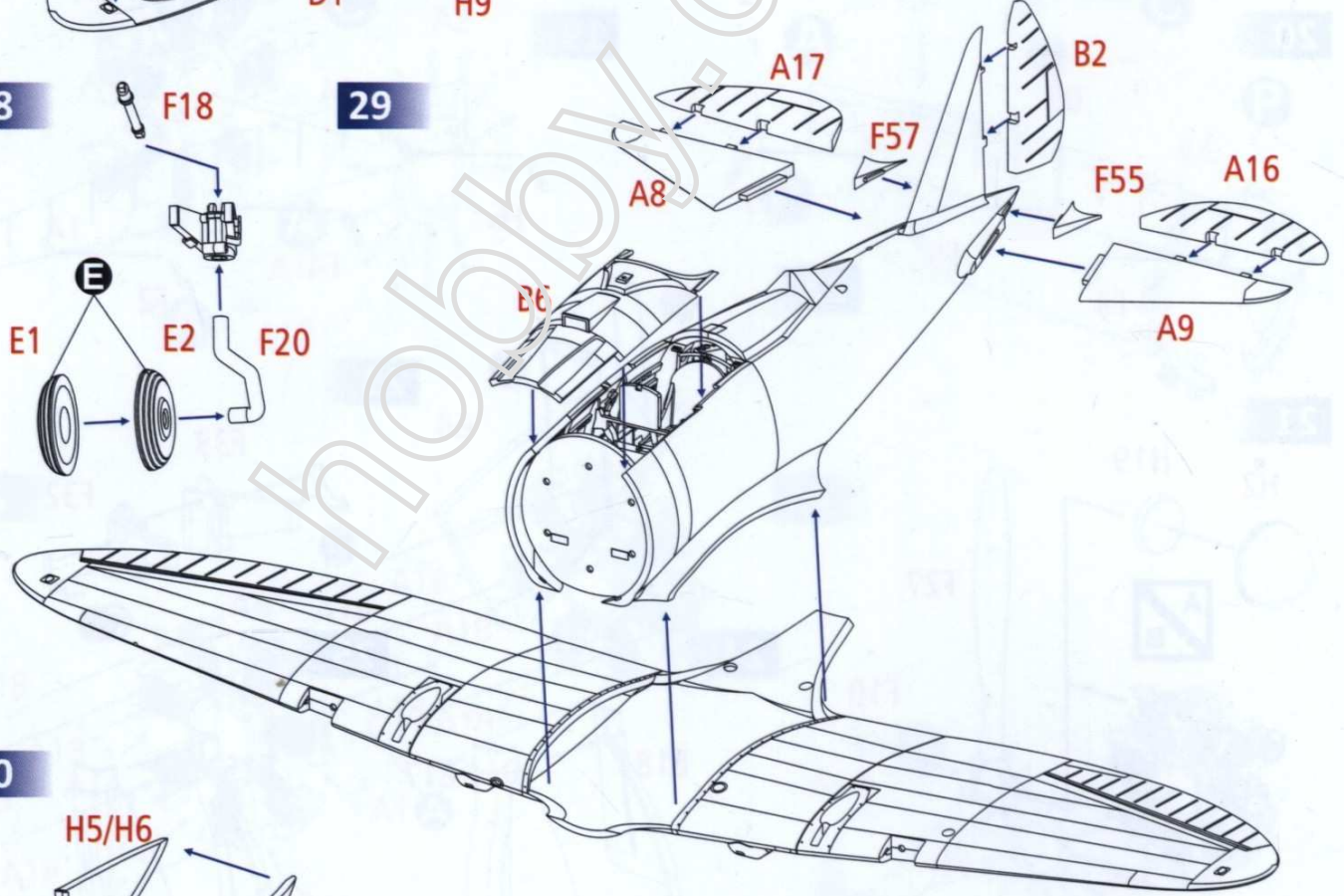
27



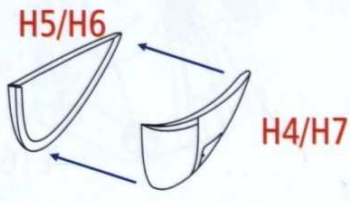
28



29

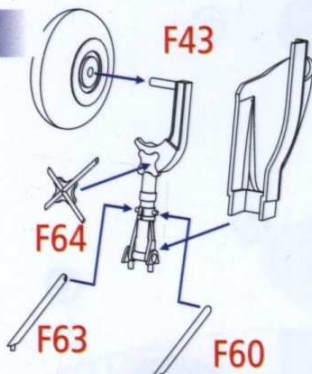
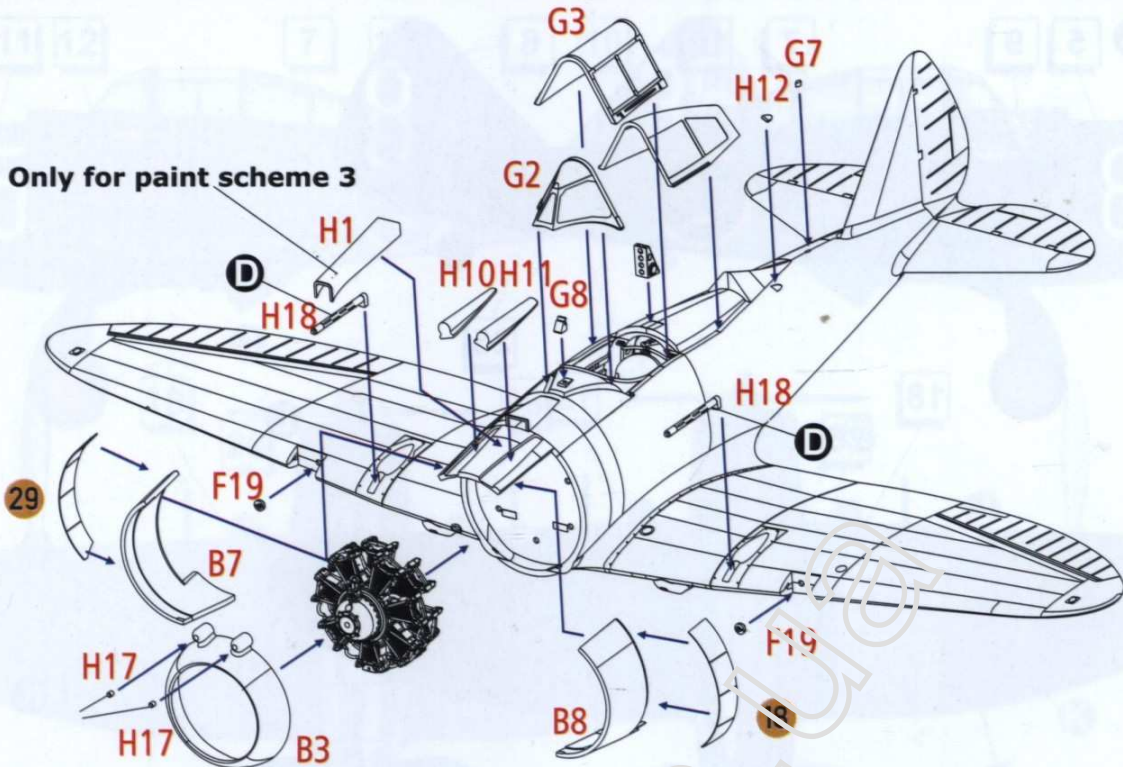


30

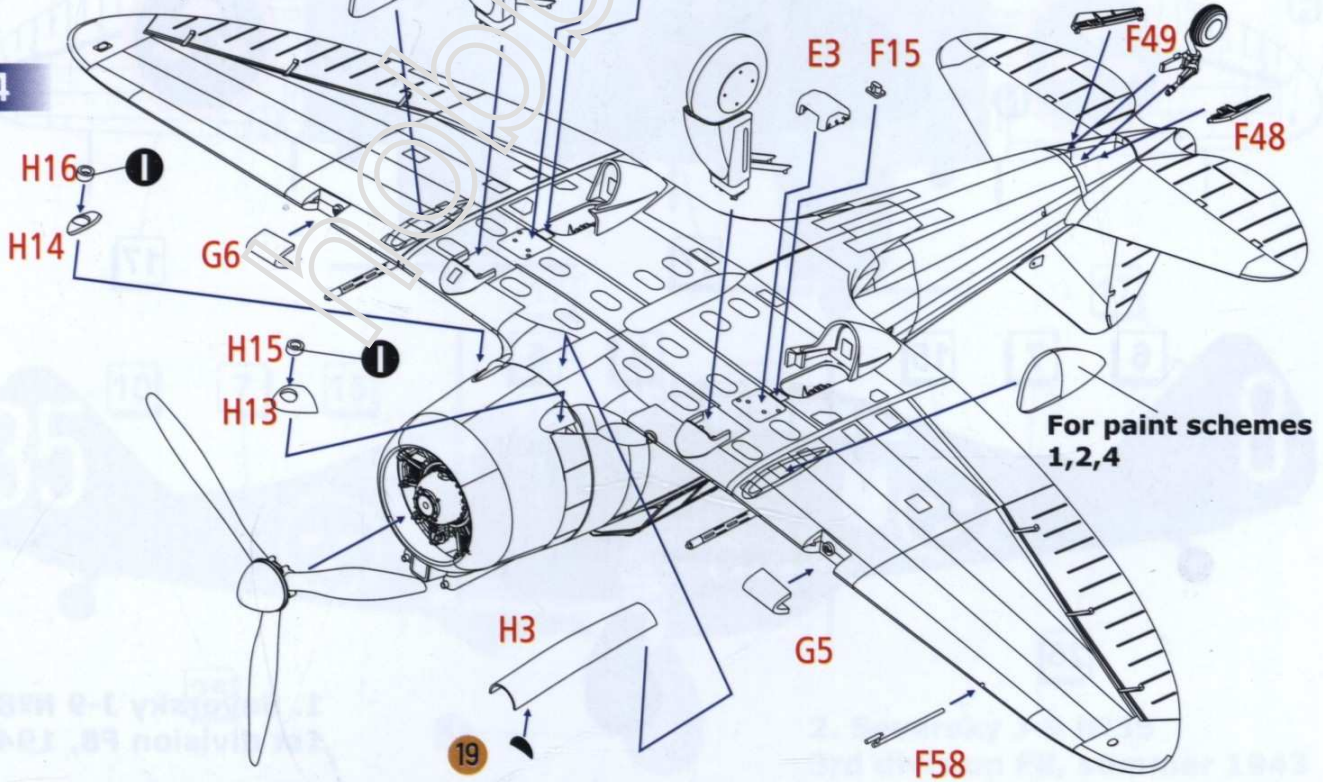
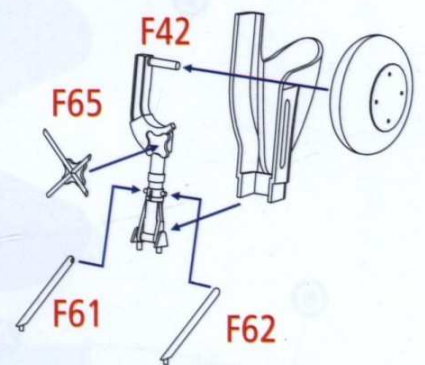




Only for paint scheme 3

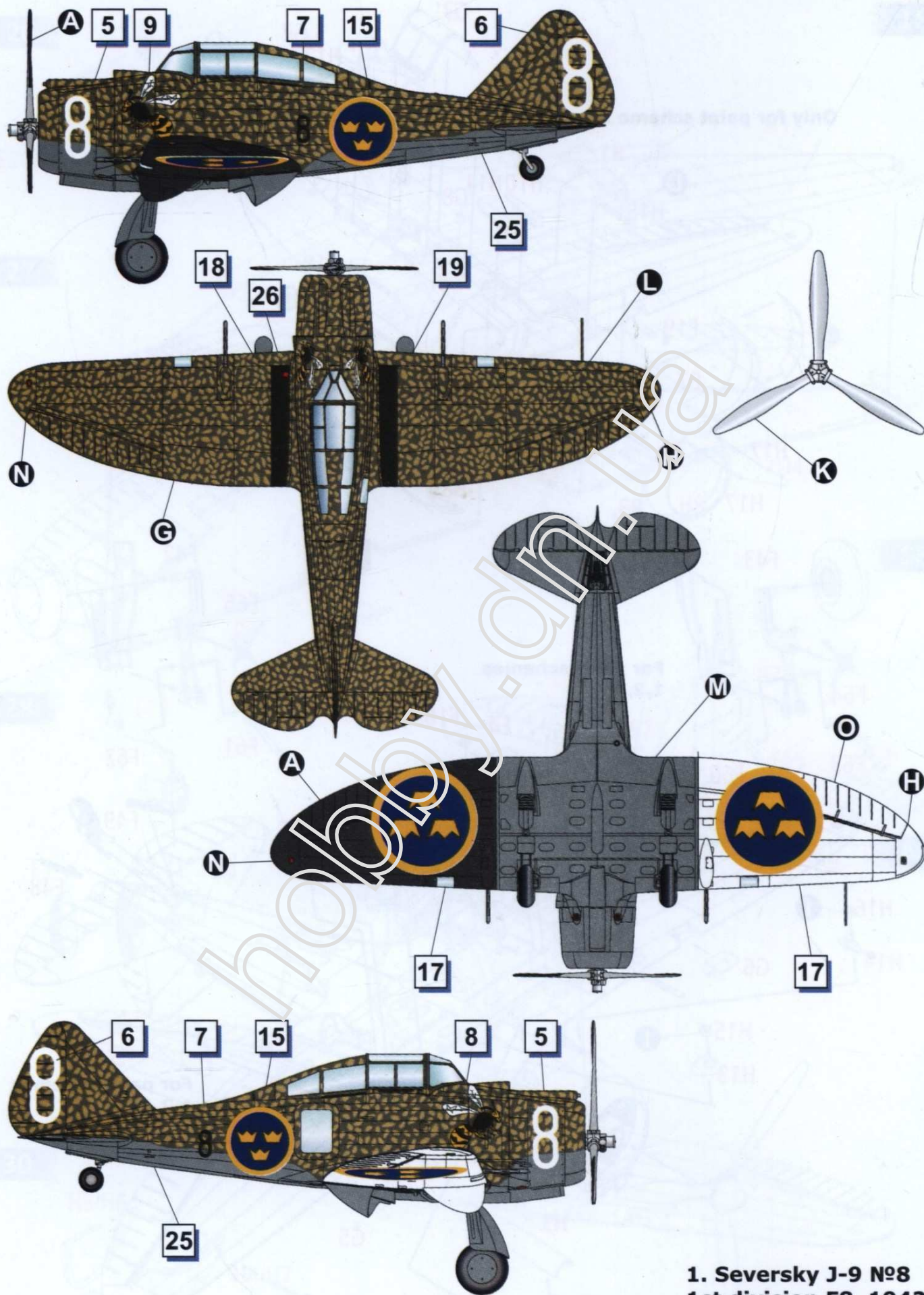


For paint schemes 1,2,4



For paint schemes 1,2,4





1. Seversky J-9 №8  
1st division F8, 1942





2. Seversky J-9 №35  
3rd division F8, summer 1943

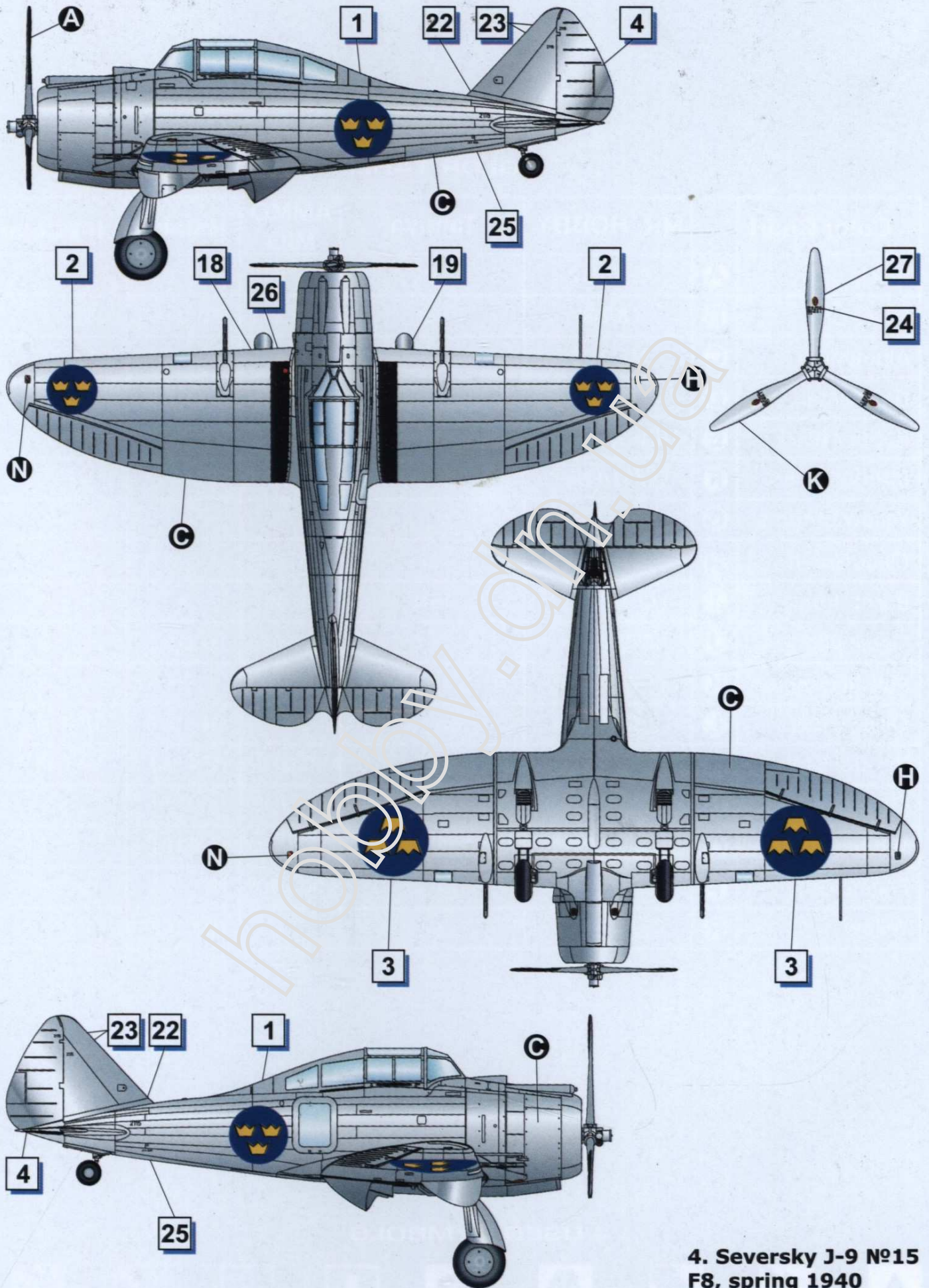
Seversky J-9 (RSAF)





3. Seversky J-9 yellow F  
3rd division F11, late 1944





4. Seversky J-9 №15  
F8, spring 1940



## COLOR TABLE

Color Chart		MR. HOBBY	Tamiya	AMMO MIG	Hataka	LIFECOLOR
Black	<b>A</b>	C33/H12	XF-1	MIG 046	HTK 100	LC 02
Silver	<b>B</b>	C8/H8	X-32	MIG 195	HTK B003	LC 74
Aluminium	<b>C</b>	MC 218	XF-16	MIG 194	HTK 078	LC 24
Gun Metal	<b>D</b>	C78/H28	X-10	MIG 045	HTK 106	LC 26
Rubber Black	<b>E</b>	C137/H77	XF-85	MIG 035		UA 733
Interior Green	<b>F</b>	C351/H58		MIG 0920	HTK 211	UA 004
Yellow Chromat	<b>G</b>	C352				
Clear Green	<b>H</b>	C138/H94	XF-25	MIG 092		
Burnt Iron	<b>I</b>	C61/H76	XF-25	MIG 187		LC 37
Signal Red	<b>J</b>	C79/H11	X-2	MIG 049	HTK-103	LC 56
Polished metal	<b>K</b>	MC 211	XF-66	MIG 0192		
Olive Green	<b>L</b>	C309/H309	XF-65		HTK 016	UA 001
Neutral Gray	<b>M</b>	C13/H53		MIG 0239	HTK 033	UA 046
Clear Red	<b>N</b>	C47/H90	XF-27	MIG 093		
White	<b>O</b>	C62/H11	X-2	MIG 0047	HTK 101	LC 01
Engine Gray	<b>P</b>	C339/H339	XF-2	MIG 0908	HTK 030	UA 030
Yellow	<b>R</b>	C329/H329	X-8		HTK 107	

### USED SYMBOLS



CEMENT



DON'T CEMENT



REMOVE



SYMMETRICAL



MULTIPLE



BEND



OPEN WHOLE



VARIANTS



TO PAINT