

1/48 SCALE MODEL CONSTRUCTION KIT

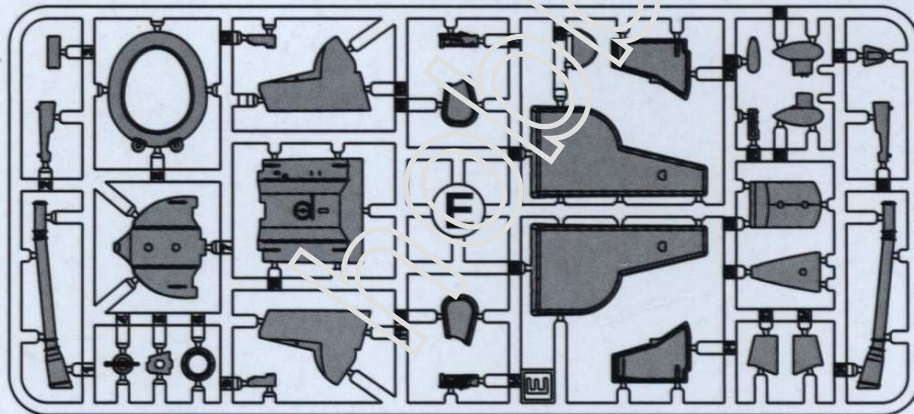
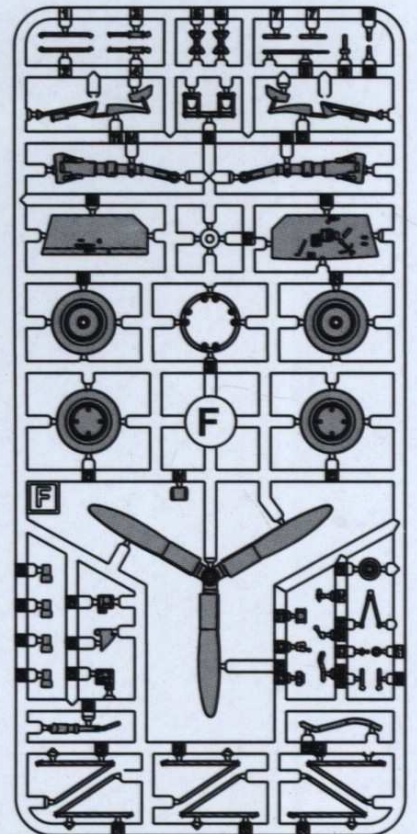
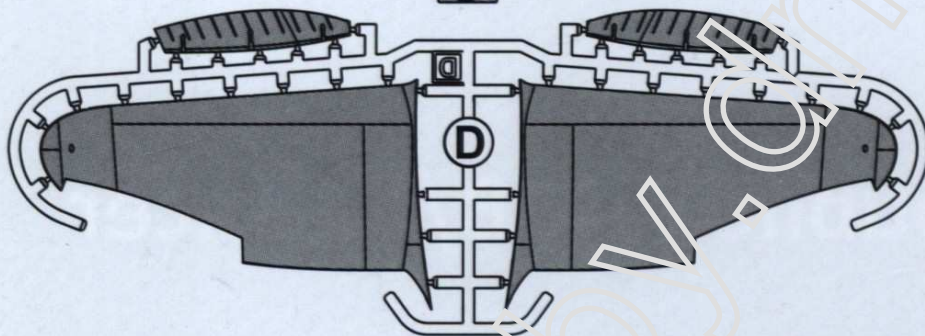
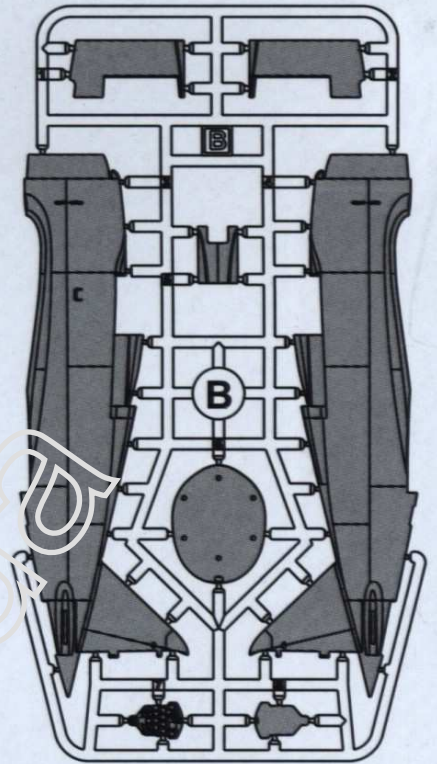
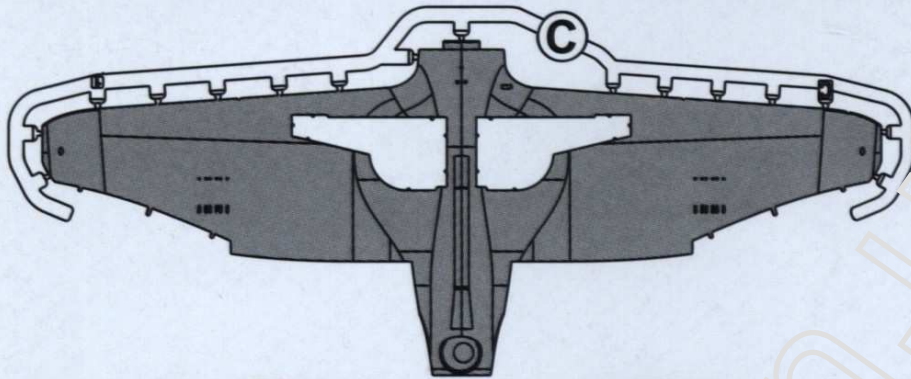
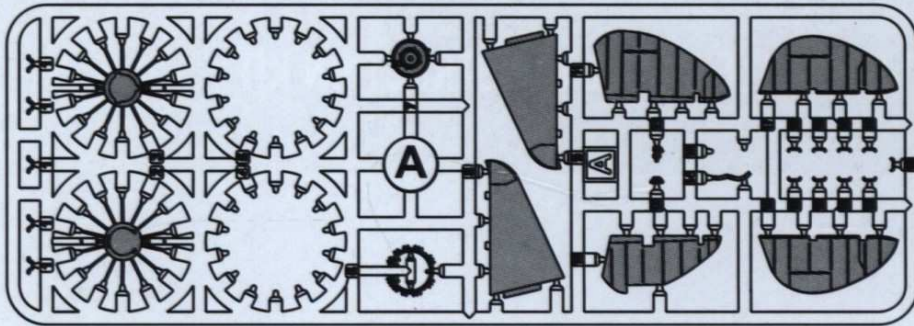


Republic P-43B/C Lancer

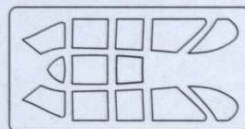
DW 48034

hobbydn.us

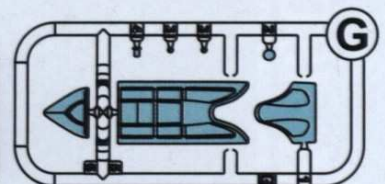
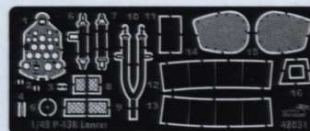
# PARTS OF THE MODEL



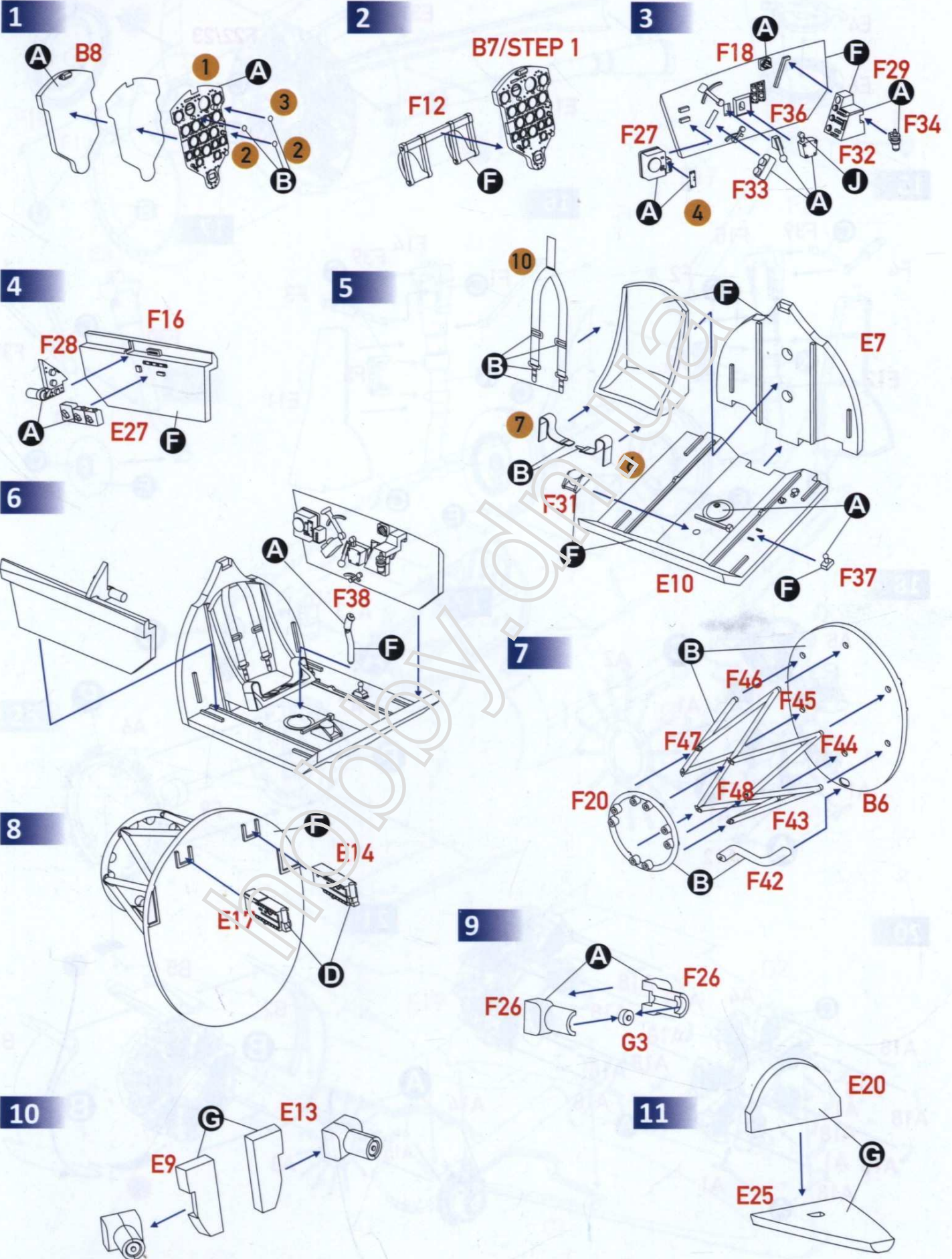
Mask



Pe



# ASSEMBLY INSTRUCTION



12



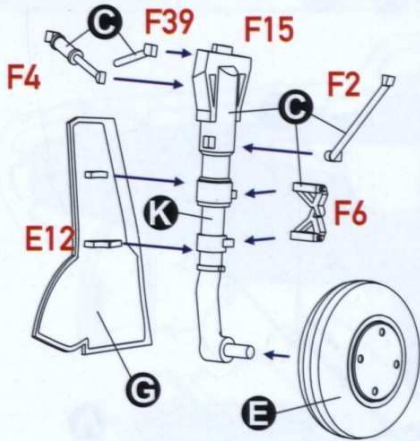
13



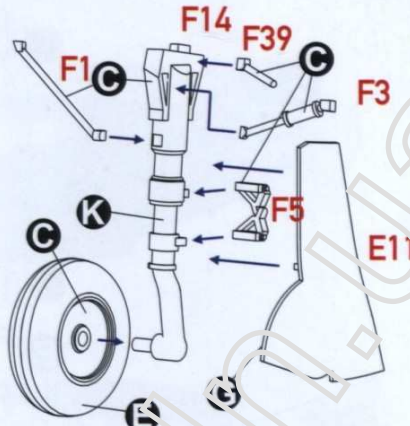
14



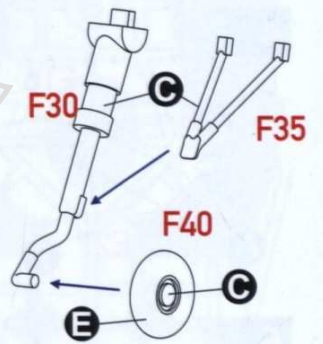
15



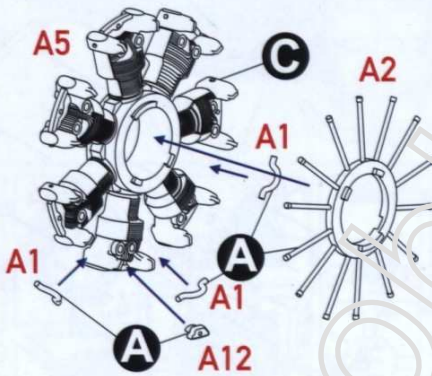
16



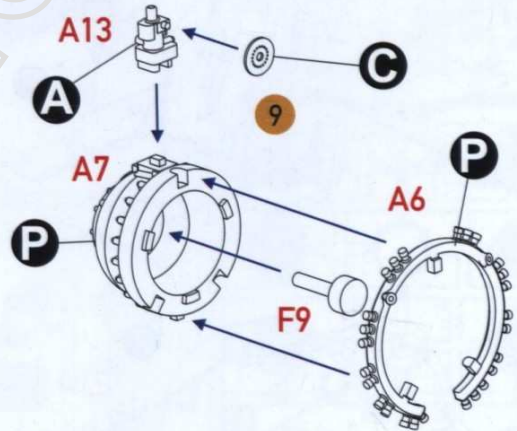
17



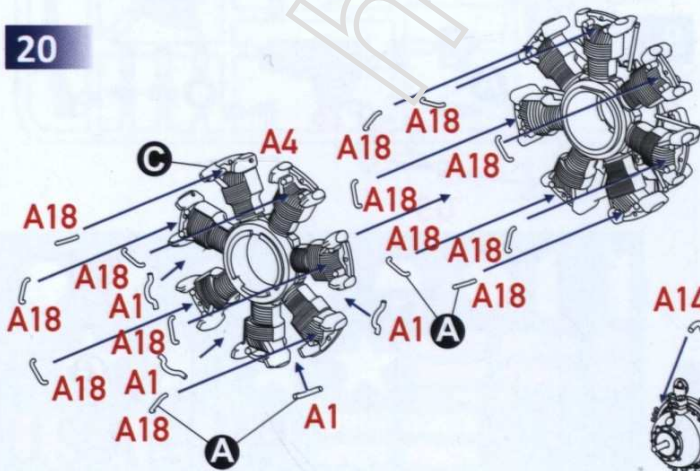
18



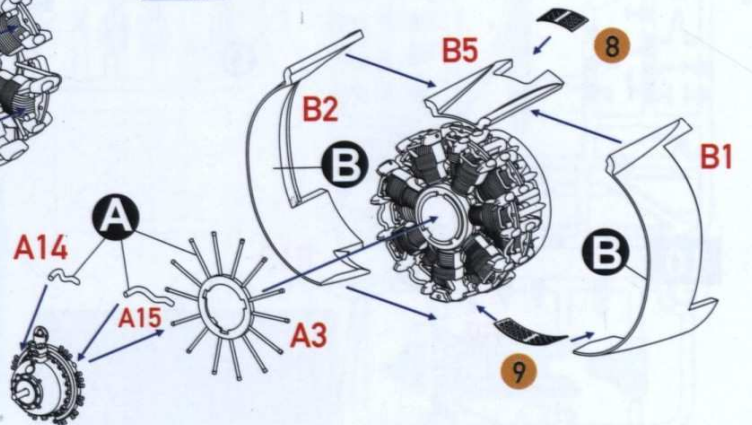
19



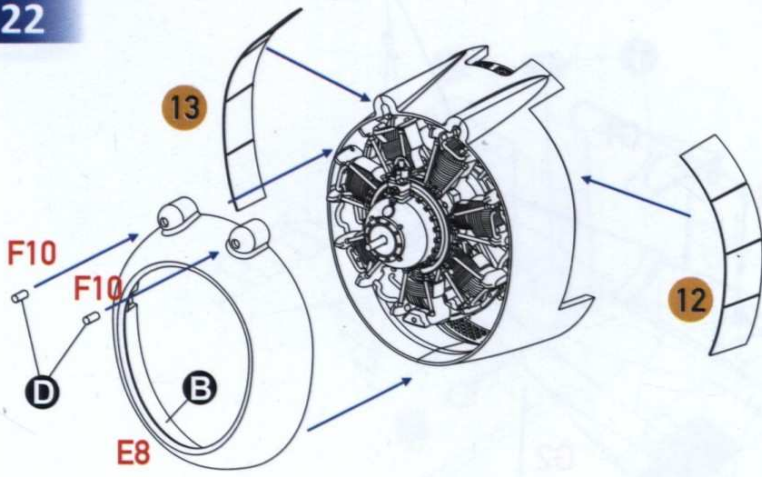
20



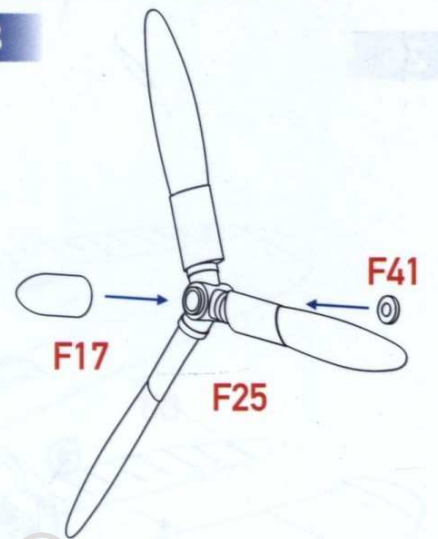
21



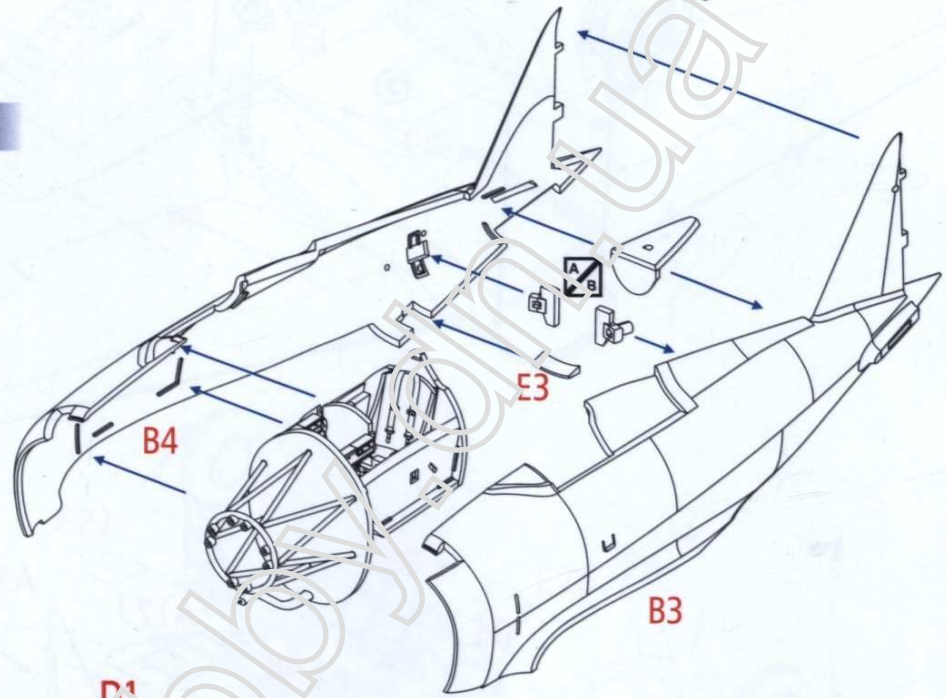
22



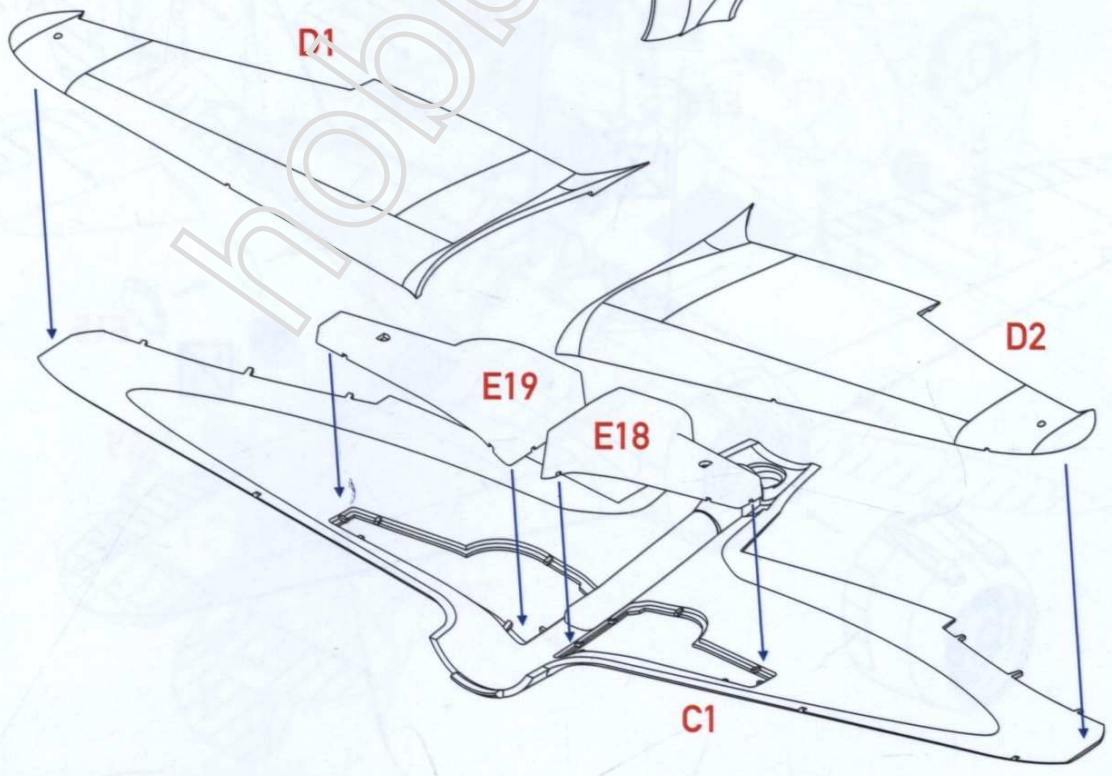
23



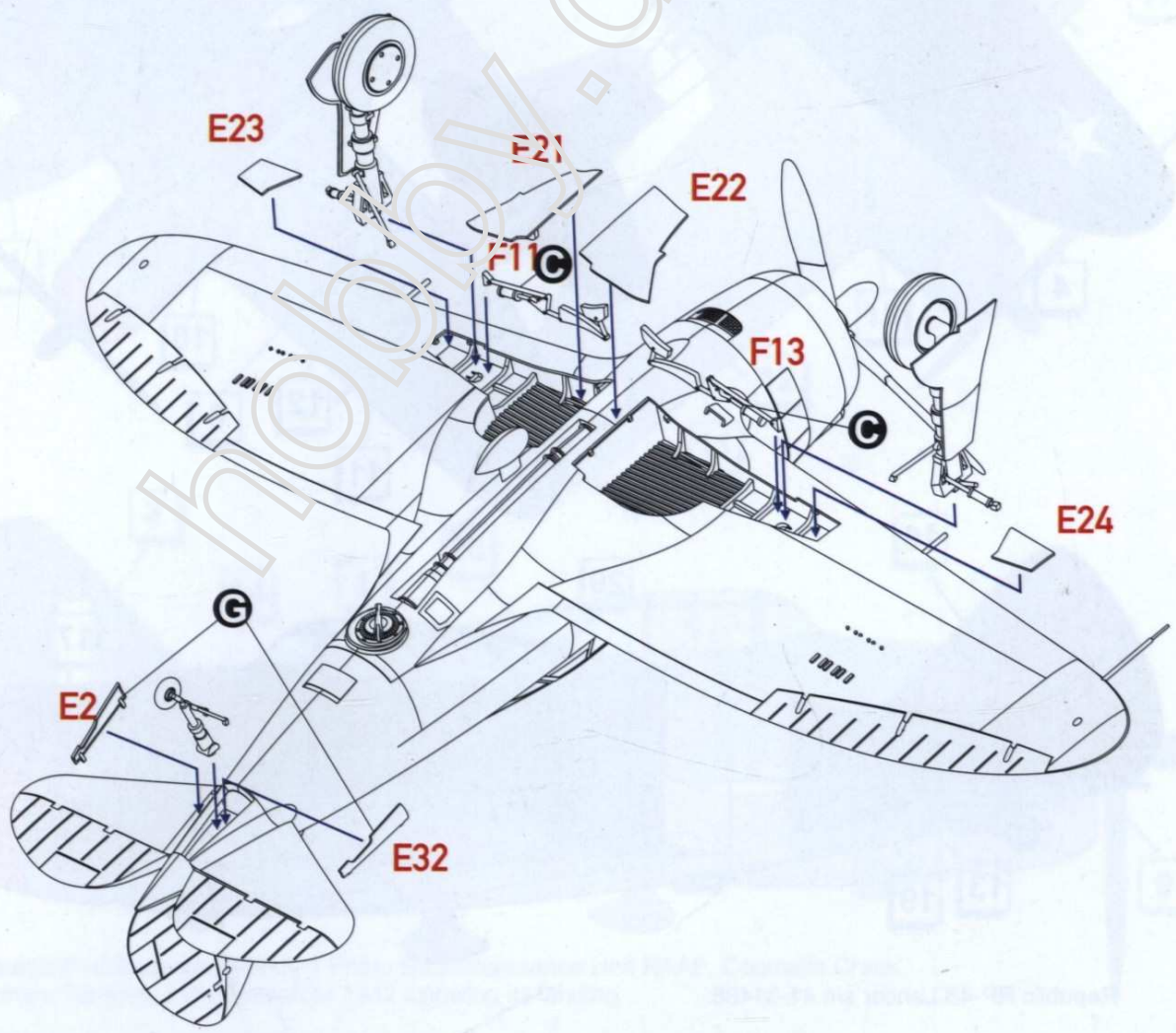
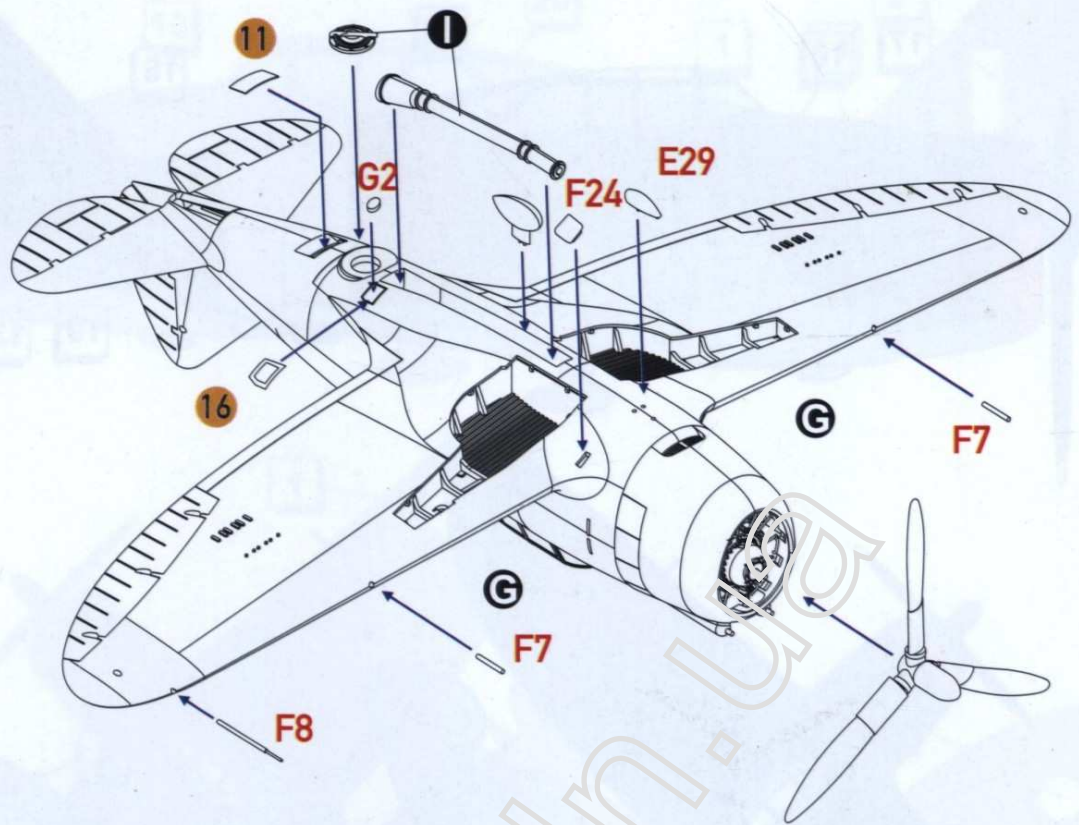
24

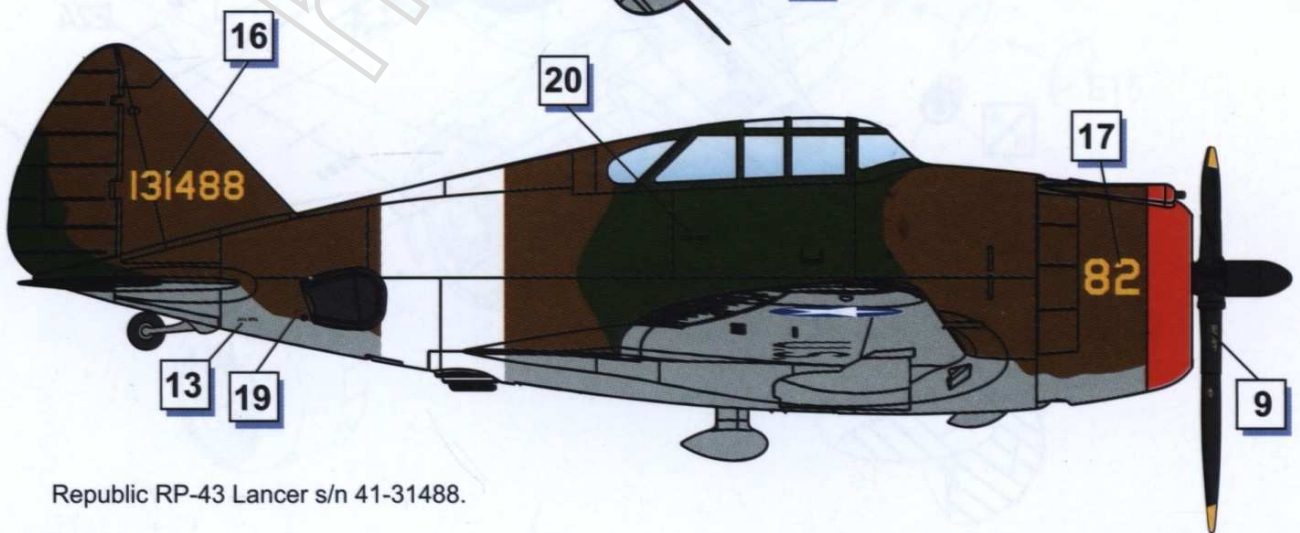
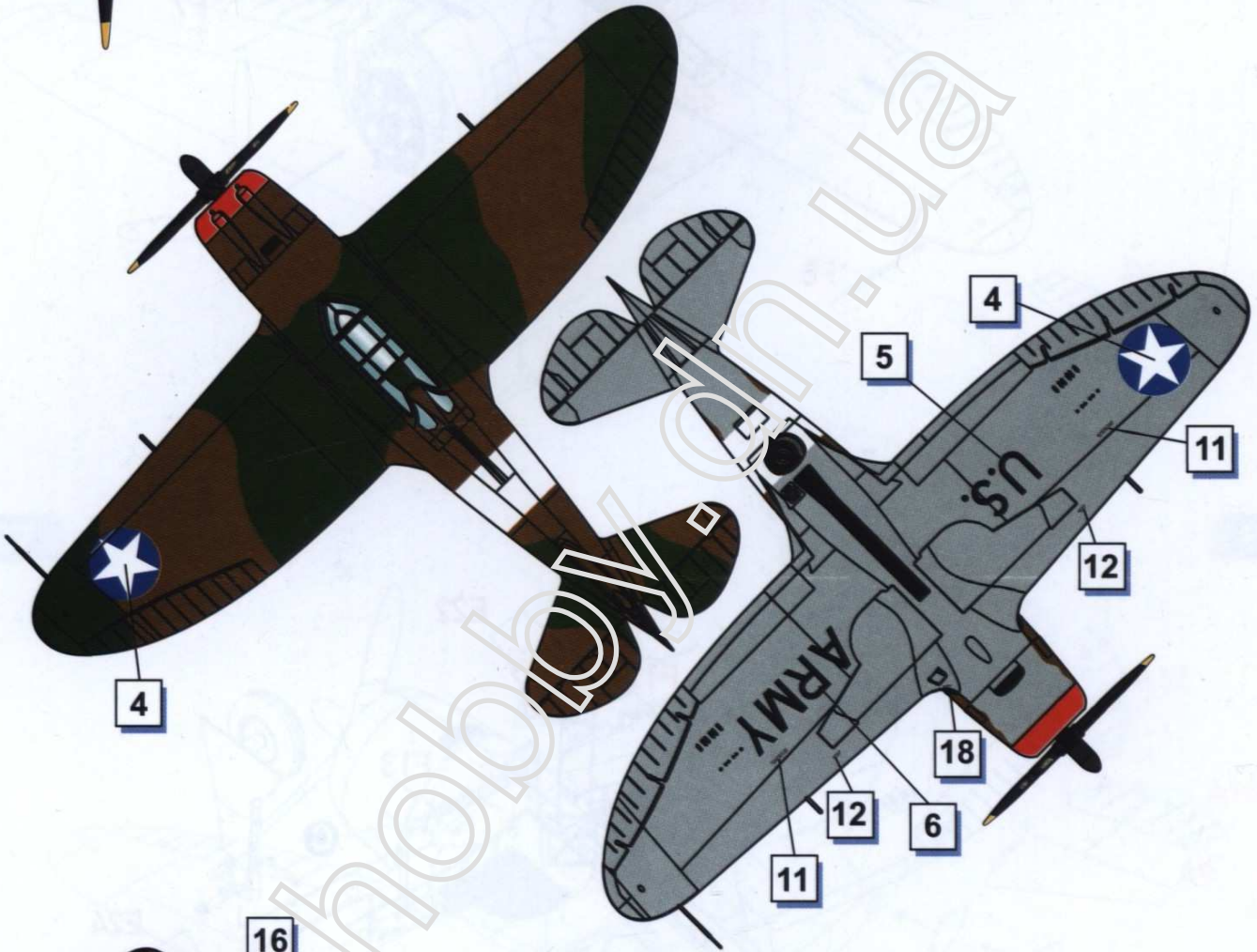
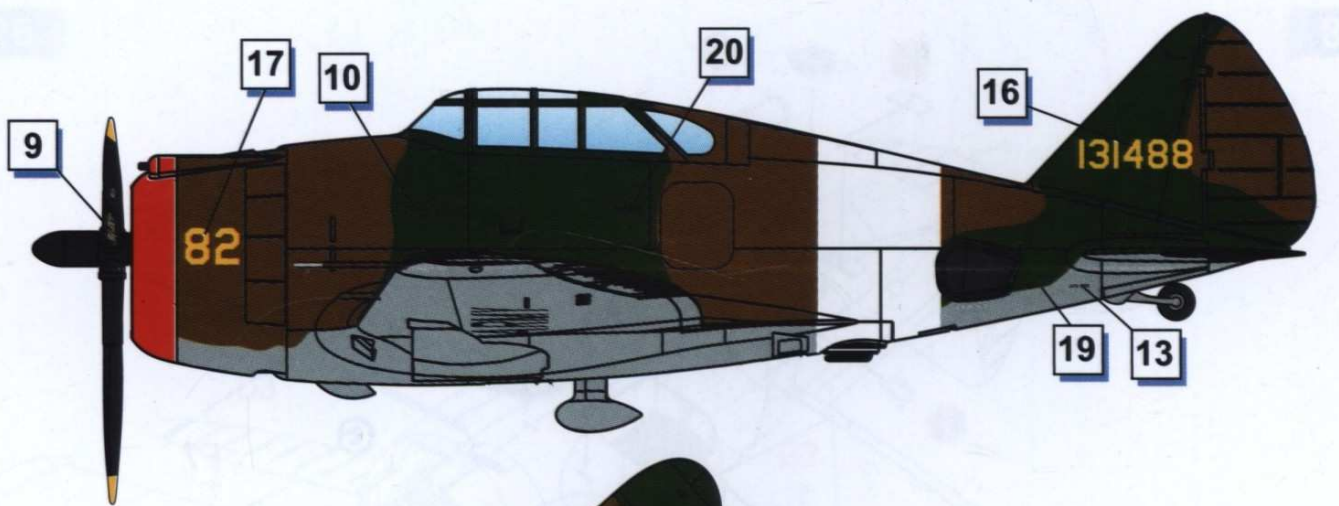


25



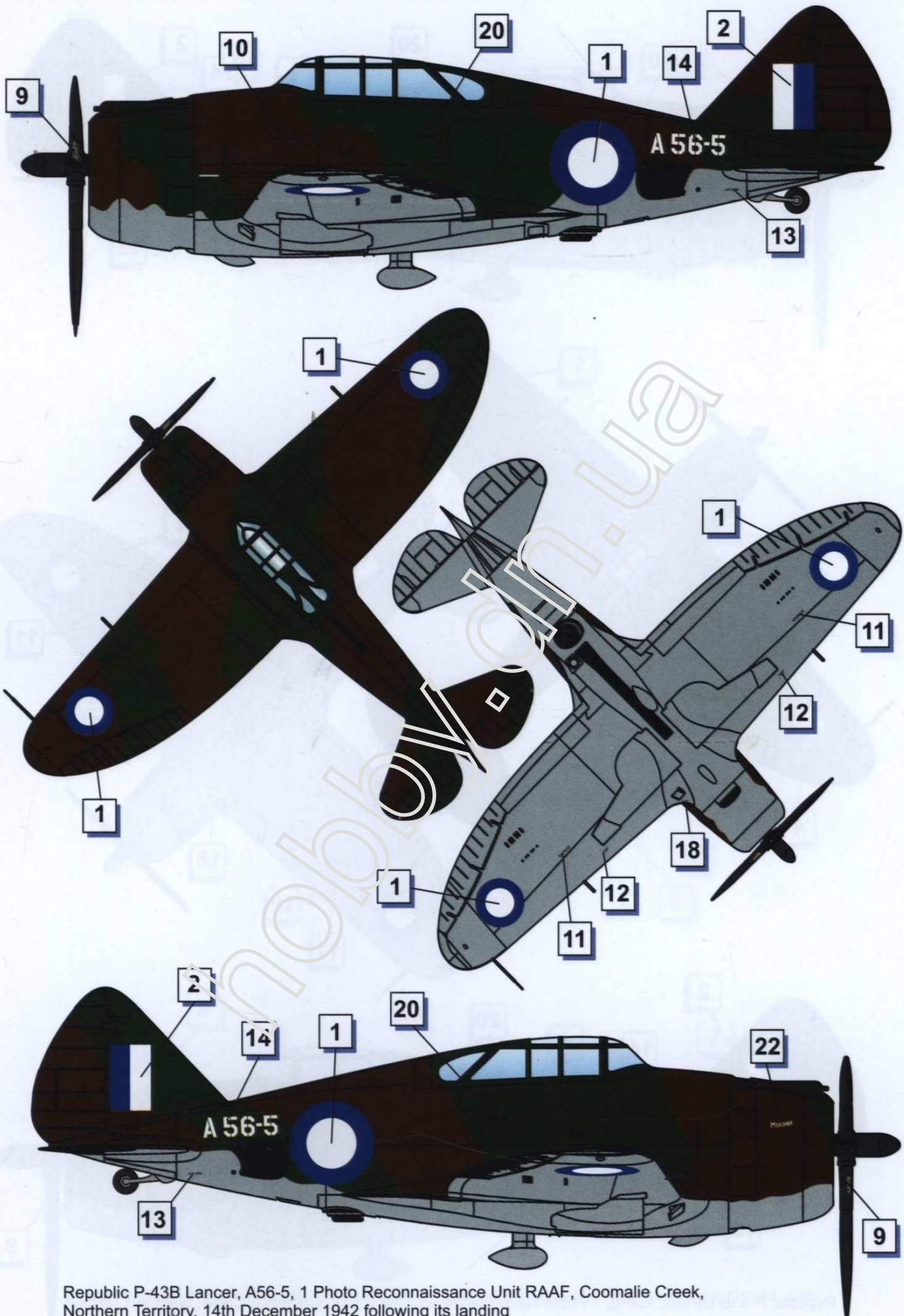




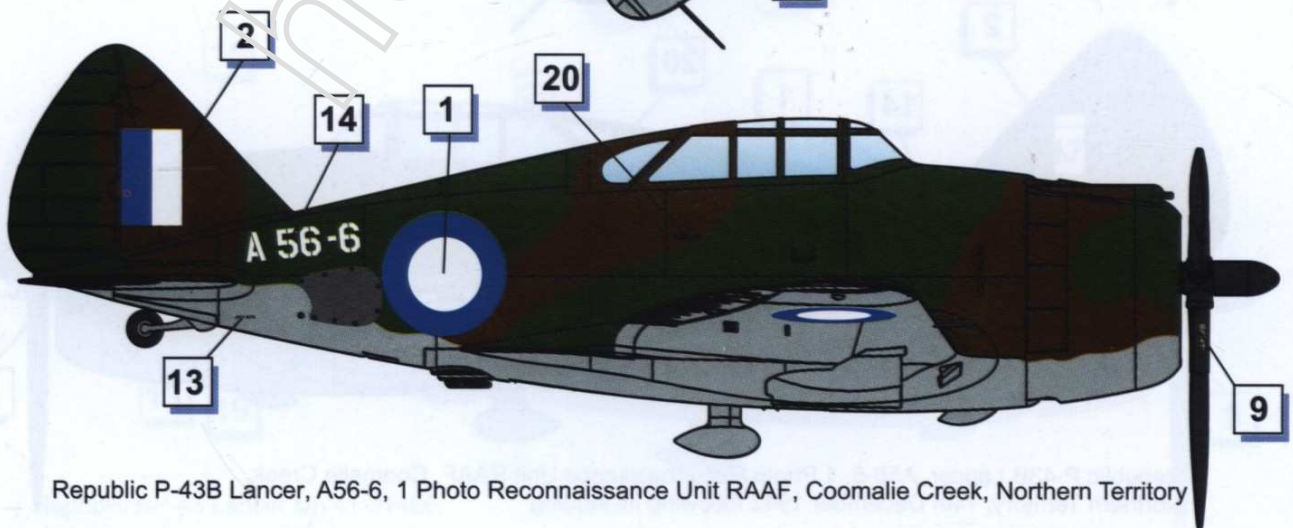
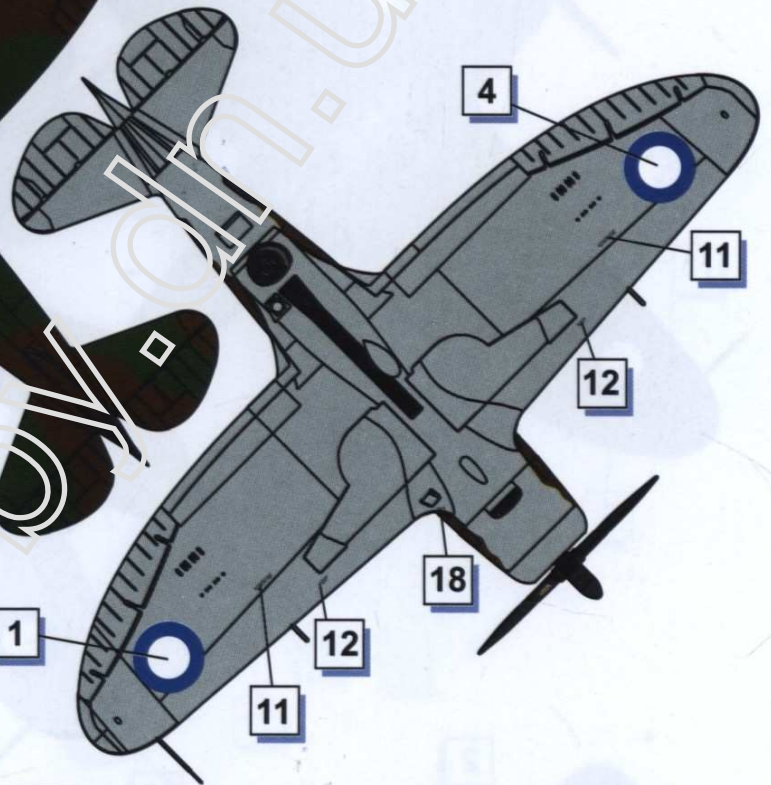
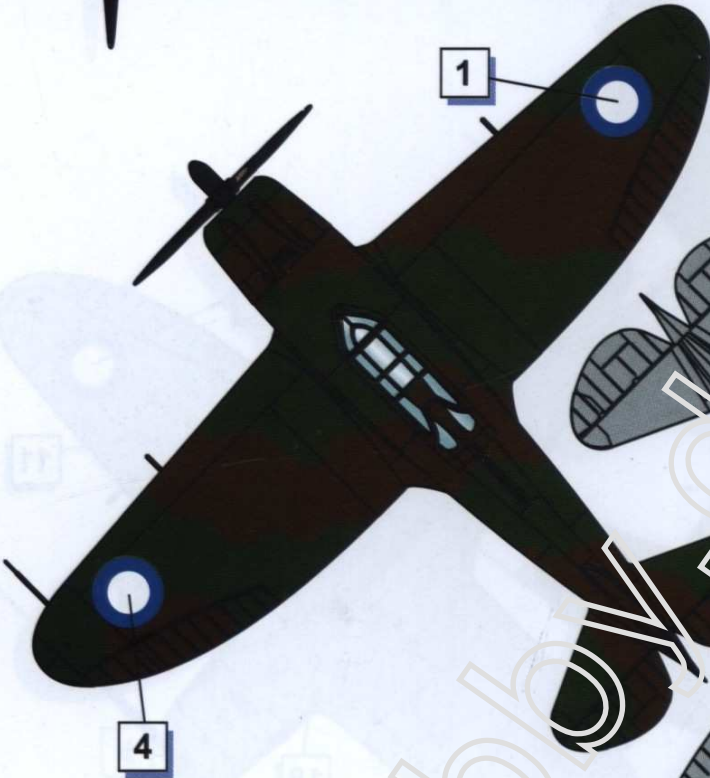
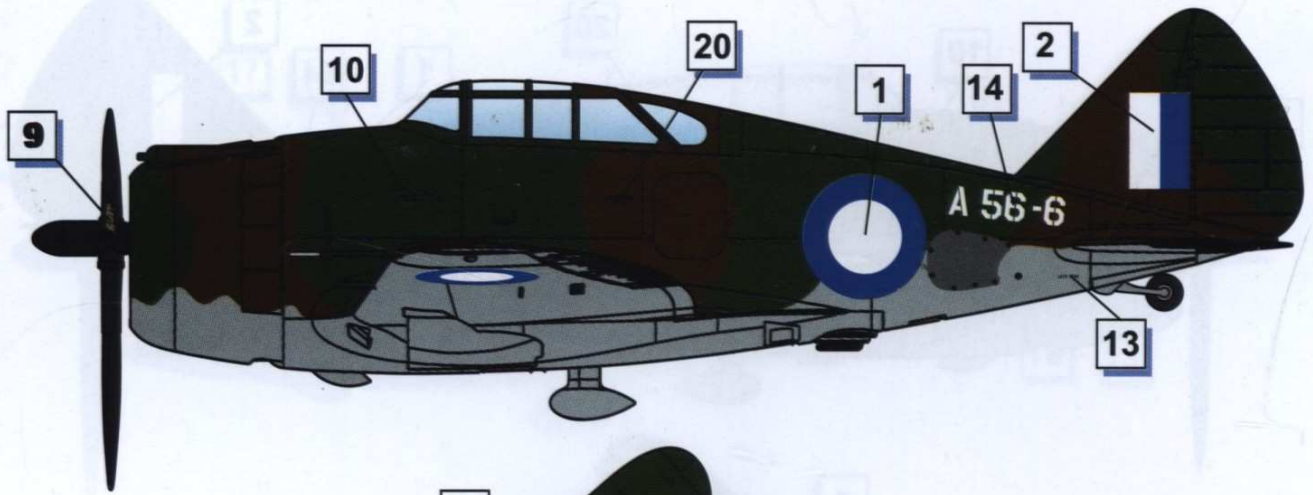


Republic RP-43 Lancer s/n 41-31488.

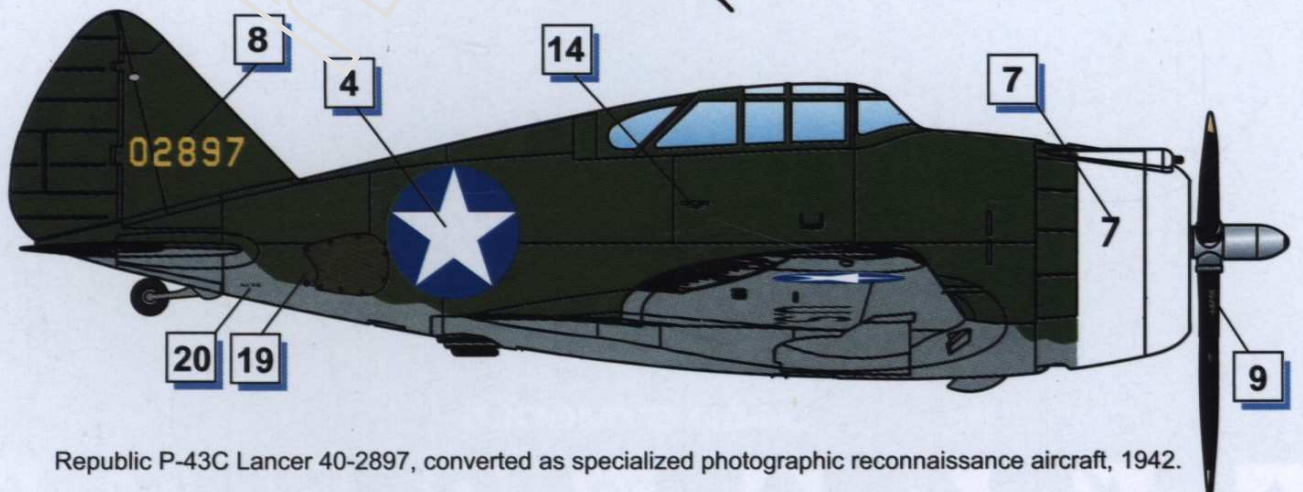
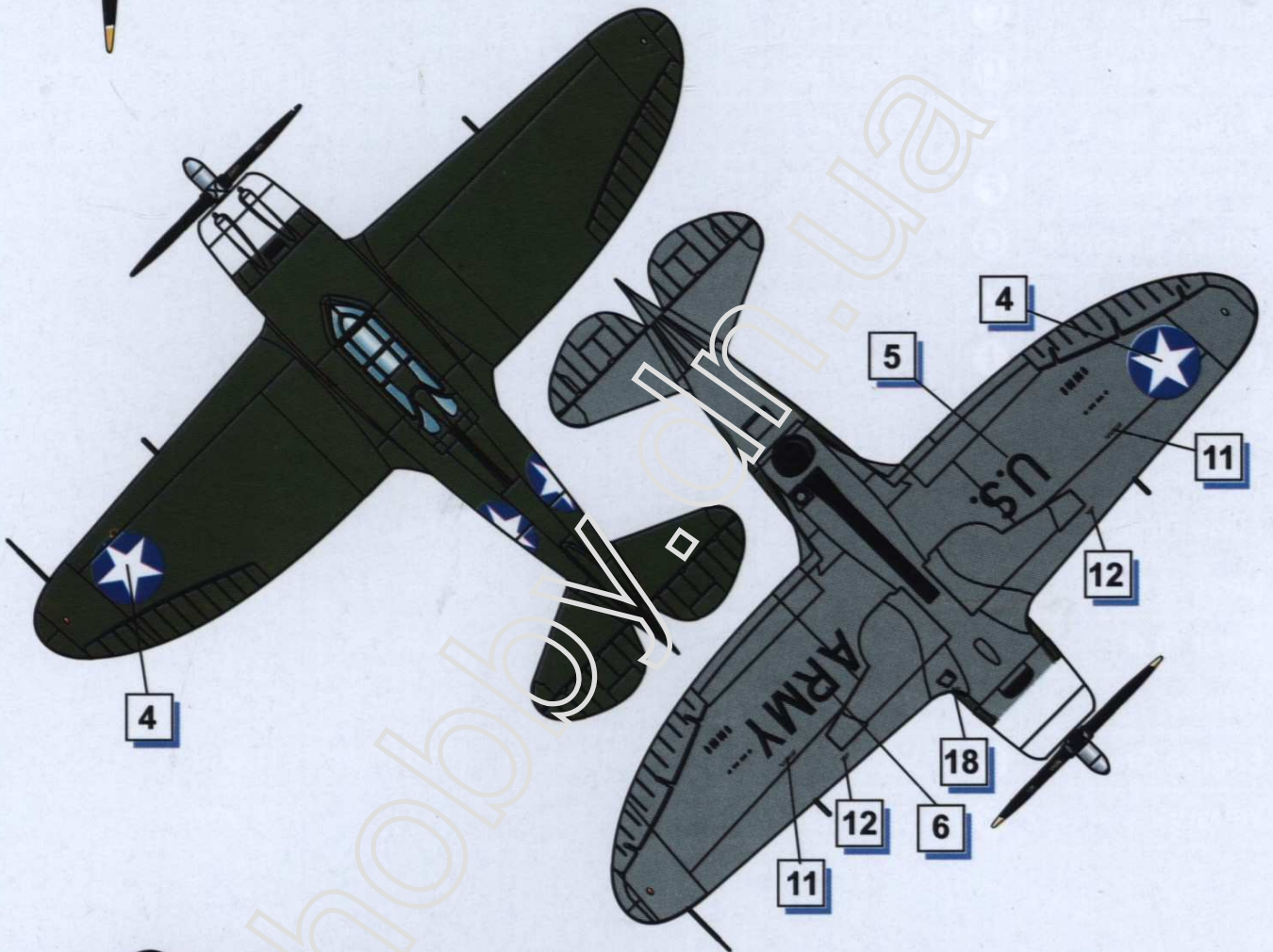
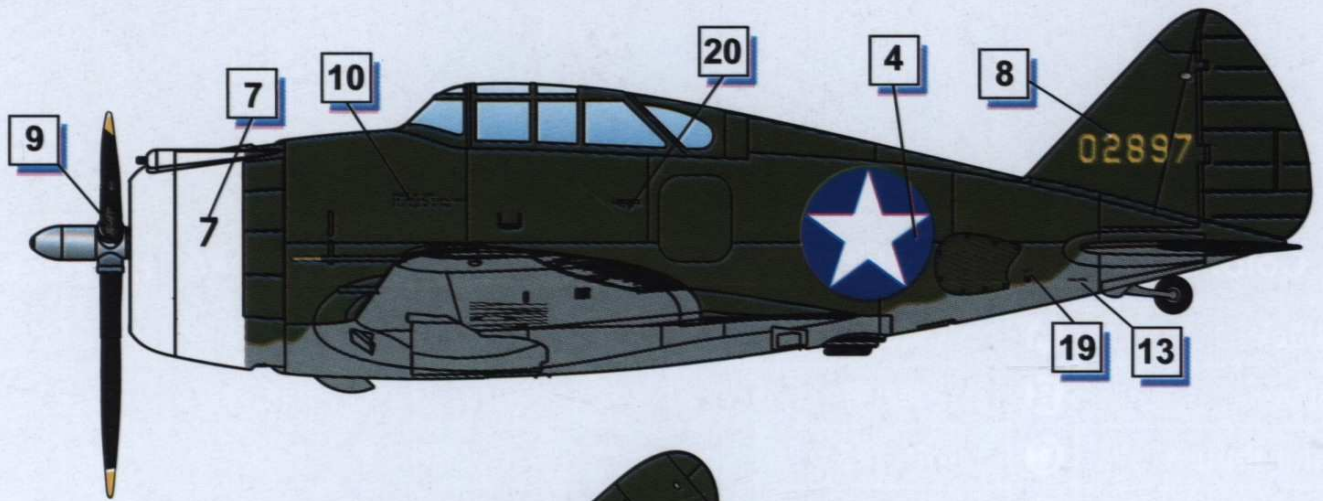




Republic P-43B Lancer, A56-5, 1 Photo Reconnaissance Unit RAAF, Coomalie Creek, Northern Territory, 14th December 1942 following its landing



Republic P-43B Lancer, A56-6, 1 Photo Reconnaissance Unit RAAF, Coomalie Creek, Northern Territory



Republic P-43C Lancer 40-2897, converted as specialized photographic reconnaissance aircraft, 1942.

## COLOR TABLE

Color Chart	MR. HOBBY	Tamiya	AMMO MIG	Hataka	LIFECOLOR
Black	<b>A</b> C33/H12	XF-1	MIG 046	HTK 100	LC 02
Silver	<b>B</b> C8/H8	X-32	MIG 195	HTK B003	LC 74
Aluminium	<b>C</b> MC 218	XF-16	MIG 194	HTK 078	LC 24
Gun Metal	<b>D</b> C78/H28	X-10	MIG 045	HTK 106	LC 26
Rubber Black	<b>E</b> C137/H77	XF-85	MIG 035		UA 733
Interior Green	<b>F</b> C351/H58		MIG 0720	HTK 211	UA 004
Yellow Chromat	<b>G</b> C352				
Clear Green	<b>H</b> C138/H94	XF-25	MIG 09		
Burn Iron	<b>I</b> C61/H76	XF-25	MIG 187		LC 37
Signal Red	<b>J</b> C79/H11	XF-2	MIG 049	HTK-103	LC 56
Polished metal	<b>K</b> MC 211	XF-56	MIG 0192		
Olive Drab	<b>L</b> C38/H78	XF-62	MIG 0237	HTK 004	UA 005
Neutral Gray	<b>M</b> C13/H53		MIG 0239	HTK 033	UA 046
Clear Red	<b>N</b> C47/H90	XF-27	MIG 093		
White	<b>O</b> C62/H11	XF-2	MIG 0047	HTK 101	LC 01
Engine Gray	<b>P</b> C339/H339	XF-2	MIG 0908	HTK 030	UA 030
Yellow	<b>R</b> C375/H379	X-8		HTK 107	

### USED SYMBOLS



CEMENT



DON'T CEMENT



REMOVE



SYMMETRICAL



MULTIPLE



BEND



OPEN WHOLE



VARIANTS



TO PAINT