

COLLECTION 2022

● LICHTPROJEKTE

Christian Deuber

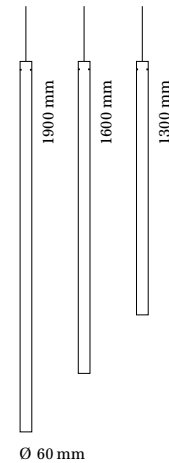


Geissensteinring 41
6005 Luzern
+41 41 360 86 65
info@lichtprojekte.ch
www.lichtprojekte.ch

TUBE V LED

Design: Christian Deuber

A chandelier for modern people. Now also with a modern illuminant. The light is distributed evenly thanks to the opal acrylic glass tube. Only the elegant glass tube is visible as the LEDs and operating device are cleverly concealed.



<u>Material:</u>	Acryl glass, white powder-coated steel
<u>Illuminant:</u>	1900 mm – 34,8 W / 3480 lm 1600 mm – 27,6 W / 2760 lm 1300 mm – 20,4 W / 2040 lm
<u>Attachment:</u>	Put up on a wire, canopy
<u>Styles:</u>	Dimmable available CRI 90 2700 / 3000 / 4000 K

● LICHTPROJEKTE

Christian Deuber

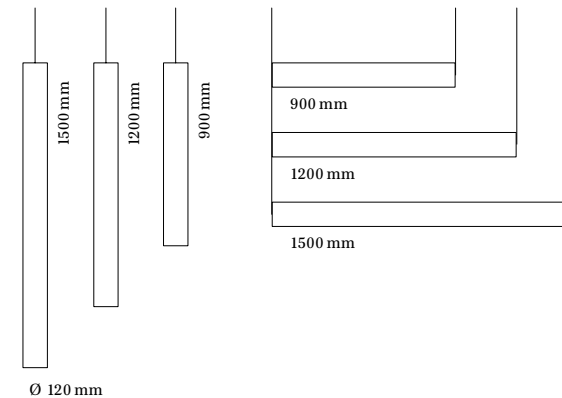


Geissensteinring 41
6005 Luzern
+41 41 360 86 65
info@lichtprojekte.ch
www.lichtprojekte.ch

TUBE L LED PENDEL V/H

Design: Christian Deuber

Captivating seamless brightness. Ideal anywhere you need generous amounts of light. The operating device is located invisibly between the fluorescent tubes and makes it possible for the light to glow in its glory in all directions. Horizontally, vertically or fixed at cross angles, a wide range of alignments is possible.



Material: Acrylic glass, white powder-coated steel

Illuminant: 1500 mm – 69,6 W / 6960 lm
1200 mm – 55,2 W / 5520 lm
900 mm – 40,8 W / 4080 lm

Attachment: Wire cable, ceiling rose

Styles: Available with dimmer, CRI 90, 2700 / 3000 / 4000 K

● LICHTPROJEKTE

Christian Deuber

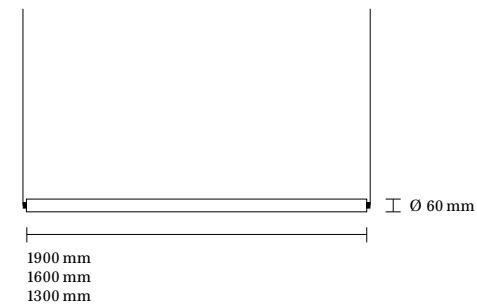


Geissensteinring 41
6005 Luzern
+41 41 360 86 65
info@lichtprojekte.ch
www.lichtprojekte.ch

TUBE PENDEL H

Design: Christian Deuber

Due to absence of an extra case the tube pendant light is an extremely compact lamp. The operating electronics are built in at the end of an acrylic glass tube. Attractive lightgeometries are the result of a combination of multiple luminaries.



<u>Material:</u>	Acryl glass, white powder-coated steel
<u>Illuminant:</u>	1900 mm – 34,8 W / 3480 lm 1600 mm – 27,6 W / 2760 lm 1300 mm – 20,4 W / 2040 lm
<u>Attachment:</u>	Wire ropes, canopy
<u>Styles:</u>	Dimmable available, CRI 90, 2700 / 3000 / 4000 K

● LICHTPROJEKTE

Christian Deuber

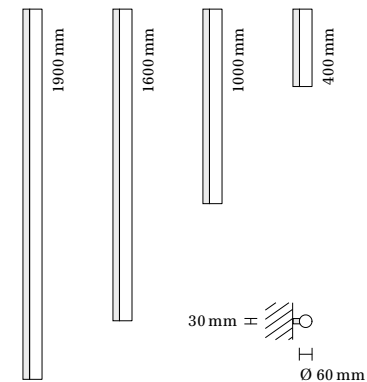


Geissensteinring 41
6005 Luzern
+41 41 360 86 65
info@lichtprojekte.ch
www.lichtprojekte.ch

TUBE W

Design: Christian Deuber

**Simple, elegant and in various lengths.
The cylindrical acrylic luminaire body is the perfect
complement to the Tube pendant luminaire.
With its simple elegance and glare-free light, it is
particularly suitable for staircases and public areas.**



Material: acryl glass, white powder-coated steel
Illuminant: 1900 mm – 34,8 W / 3480 lm
1600 mm – 27,6 W / 2760 lm
1300 mm – 20,4 W / 2040 lm
Illuminant: direct wall or ceiling mounting
Styles: dimmable available, CRI 90, 2700 / 3000 / 4000 K

● LICHTPROJEKTE

Christian Deuber

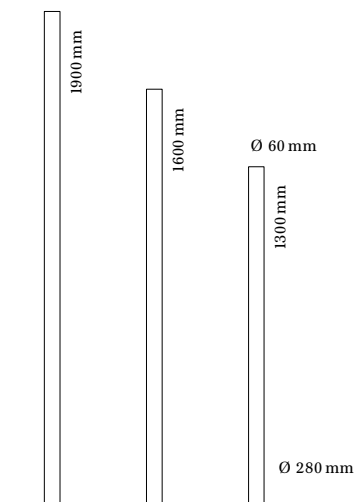


Geissensteinring 41
6005 Luzern
+41 41 360 86 65
info@lichtprojekte.ch
www.lichtprojekte.ch

TUBE S LED

Design: Christian Deuber

A contemporary candle for bright hours. The classic tube is also available as a floor lamp. A subtle solution which never detracts from the room's appearance. Can be supplied in three lengths and, upon request, with a coloured cable and base.



Material: Acrylic glass, powder-coated steel
Illuminant: 1900 mm – 34,8 W / 3480 lm
1600 mm – 27,6 W / 2760 lm
1300 mm – 20,4 W / 2040 lm
Styles: With dimmer and integrated dimmer button
CRI 90, 2700 / 3000 / 4000 K
Cable and base available in different colours



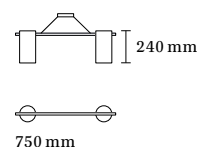
Geissensteinring 41
6005 Luzern
+41 41 360 86 65
info@lichtprojekte.ch
www.lichtprojekte.ch

MO-BI-LE

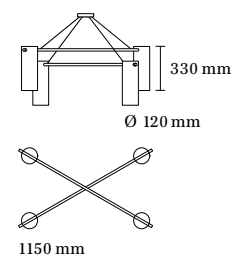
Design: Christian Deuber

I am uncomplicated and playful. The modular LED element can be used as a single lamp or combined into a lighting system. The concept of a yoke that links two light fixtures together allows for a wide range of different layouts. The lights can be offset and crossed so that lighting arrangements of any size can be created. The height of the light fixture and the length of the yoke are also variable and can be adapted according to the individual room layout and architecture.

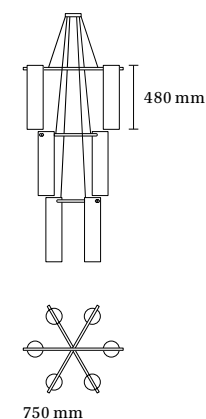
MO-BI-LE 1



MO-BI-LE 2



MO-BI-LE 3



Material: Acrylic glass, wood
Illuminant: E 27 / LED
Attachment: Ceiling canopy
Styles: Dimmable, 2700 / 3000 / 4000 K

● LICHTPROJEKTE

Christian Deuber

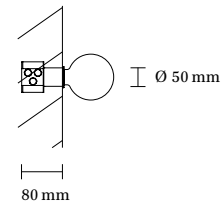


Geissensteinring 4
6005 Luzern
+41 41 360 86 65
info@lichtprojekte.ch
www.lichtprojekte.ch

SIMPEL UP

Design: Christian Deuber

A minimal light solution as wall design. The E27-Sockets which are let into the walls allow an individual lightscenario with different illuminants.



Material: Stainless steel embedded in concrete
Illuminant: E 27 / Globe / LED
Attachment: Immured into the wall

● LICHTPROJEKTE

Christian Deuber



Geissensteing 41
6005 Luzern
+41 41 360 86 65
info@lichtprojekte.ch
www.lichtprojekte.ch

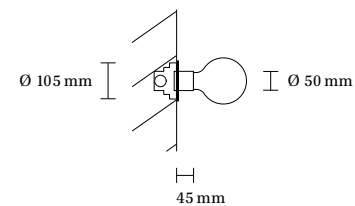
SIMPEL AP

Design: Christian Deuber

«simple but clever»

The minimalist lighting solution for exposed concrete or plasterwork. The plastic area of the lamp connection is covered by the ring.

Based on the E27 socket there are a variety of different illuminants that can be used. Available anodized or in color.



<u>Material:</u>	aluminium
<u>Illuminant:</u>	E 27
<u>Assembly:</u>	lamp dowel
<u>Styles:</u>	brushed aluminum anodized / powder coated

● LEHTPROJEKTE

Christian Deuber

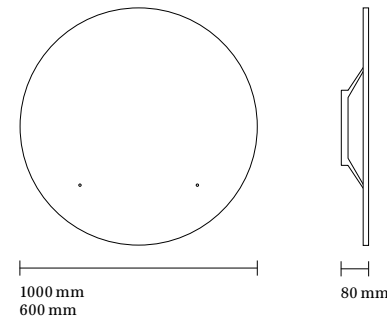


Geissertstrasse 41
6005 Luzern
+41 41 318 11 11
info@lichtprojekte.ch
www.lichtprojekte.ch

SUPERDISCO

Design: Christian Deuber

The ceiling- and walllight is uncompromisingly simple. It thereby exhales its self-evident generosity. The FC 55 Watt fluorescence glass tube also makes it a saving and efficient lightinstrument. Color printing on demand.



Material:

Illuminant:

Attachment:

Styles:

Acryl glass, white powder-coated steel

LED

Rearconstruction installed straight onto the wall
or the ceiling, assembly shell

DALI dimmable, 28,3 W, 2700 / 3000 / 4000 K

Color printing on demand

● LICHTPROJEKTE

Christian Deuber

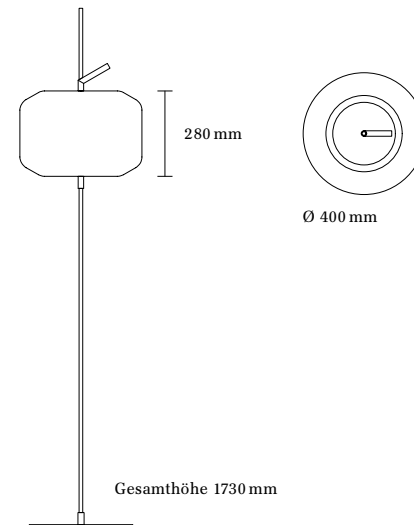


Geissensteinring 41
6005 Luzern
+41 41 360 86 65
info@lichtprojekte.ch
www.lichtprojekte.ch

UP 05

Design: Christian Deuber

I adjust to meet your needs. The shade of the up 05 floor lamp can be adjusted continuously and fits in well with any room conditions. In this way, the lighting source can be positioned in any desired way.



Material: White polyethylene, satin nickel-plated steel
Illuminant: 3 x E 27 / LED
Styles: With dimmer

● LICHTPROJEKTE

Christian Deuber

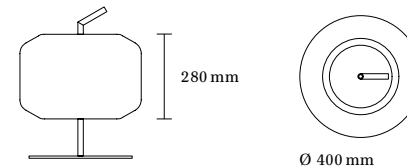


Geissensteinring 41
6005 Luzern
+41 41 360 86 65
info@lichtprojekte.ch
www.lichtprojekte.ch

UP 12

Design: Christian Deuber

Carry me to wherever you like. A robust shade combined with lightness and flexibility. The up 12 creates a comforting homelike atmosphere on the floor, a shelf or table.

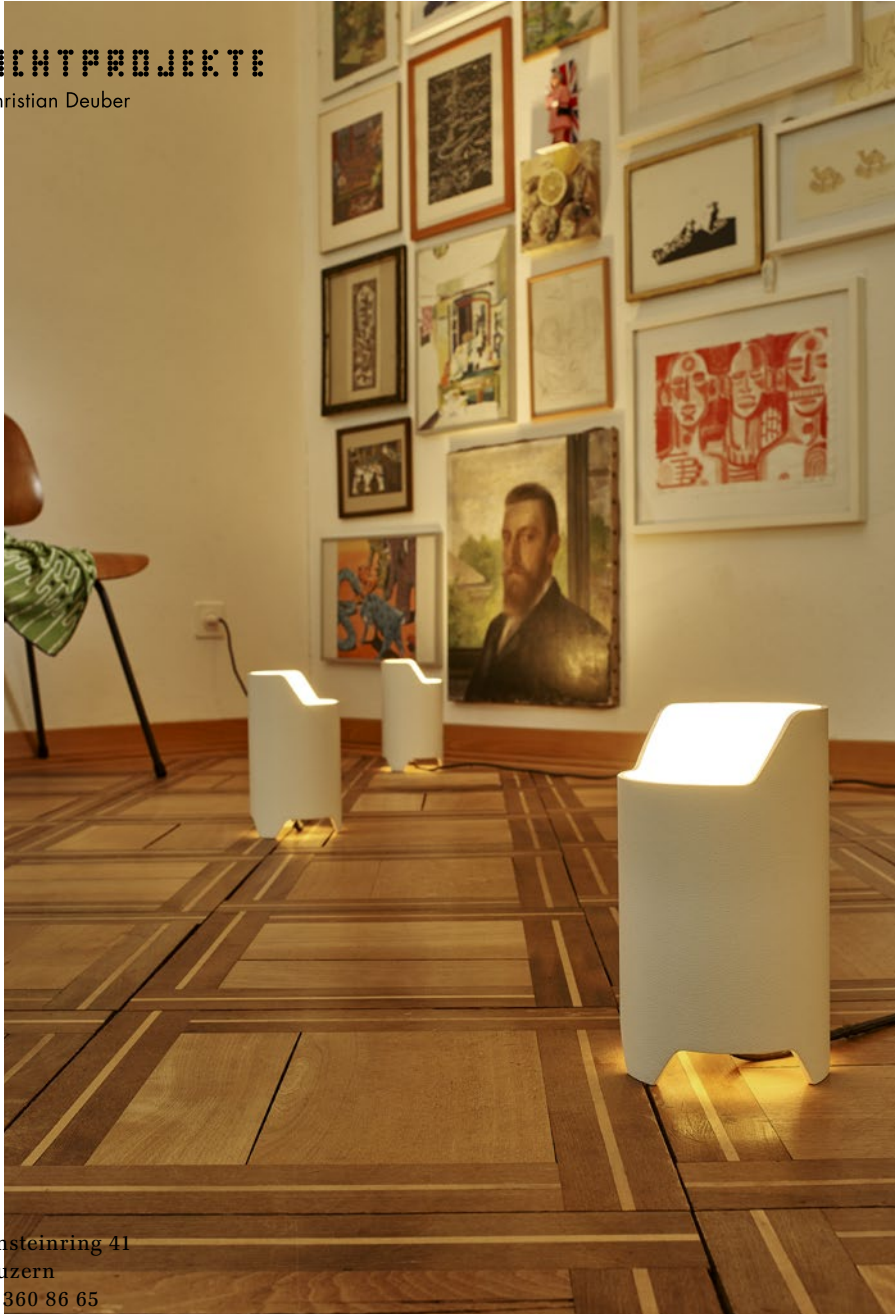


Gesamthöhe 510 mm

Material: White polyethylene, satin nickel-plated steel
Illuminant: 3 x E 27 / LED
Styles: With dimmer

● LICHTPROJEKTE

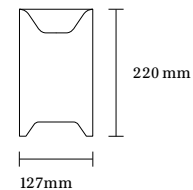
Christian Deuber



BROMO

Design: Christian Deuber

The settled pole in space. Bromo illuminates rooms, without being the center of the attention. The understated ground luminaire floods light out of another perspective onto the wall and ceiling. Thereby the spatiality is filled with atmosphere.



Material:

Powder-coated steel tube

Illuminant:

E 27 / LED

Styles:

Dimmable

Available in white and bronze



white



bronze

Geissensteinring 41
6005 Luzern
+41 41 360 86 65
info@lichtprojekte.ch
www.lichtprojekte.ch

● LICHTPROJEKTE

Christian Deuber

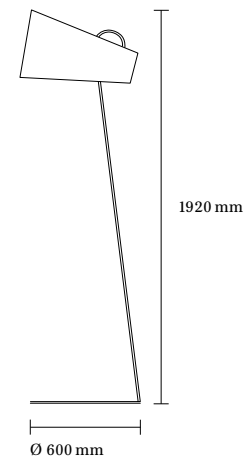


Geissensteinring 41
6005 Luzern
+41 41 360 86 65
info@lichtprojekte.ch
www.lichtprojekte.ch

CABANA

Design: Christian Deuber

The bulb can be swung back and forth so that different light atmospheres are enabled. The light structure of the aluminum and synthetic foil lampshade allows a filigreed linkage composition.



Material:

Illuminant:

Styles:

Steel powder-coated, lampshade of textile foil

E 27 / LED

Dimmable

Available in white and bronze
other colors on demand



white



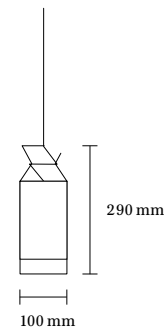
bronze



SPOOL S

Design: Christian Deuber

Spool hangs on a wire. A fine rack holds the holder and the shade. The roll up of the wire regulates the height of the minor lamp. Function and aesthetic with less material input marks spool.



Material:

Illuminant:

Attachment:

Styles:

Steel powder-coated, lampshade of polycarbonat

E 14 / LED

Canopy or by use of a knot on a screwhook

Rod system white, cable red, lamp shade white

Rod system bronze, cable transparent, lamp shade white



white



bronze

● LICHTPROJEKTE

Christian Deuber

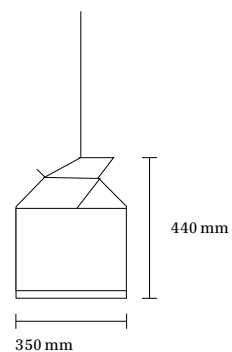


Geissensteinring 41
6005 Luzern
+41 41 360 86 65
info@lichtprojekte.ch
www.lichtprojekte.ch

SPOOL M

Design: Christian Deuber

The spool release for the dining table! The flexible siliconewire can be unwinded like a bobbin and allows a great variation of favoured heights.



Material:

Illuminant:

Attachment:

Styles:

Steel powder-coated, lampshade of polycarbonat

E 27 / LED

Canopy or by use of a knot on a screwhook

Rod system white, cable red, lamp shade white

Rod system bronze, cable transparent, lamp shade white



white



bronze

● LICHTPROJEKTE

Christian Deuber



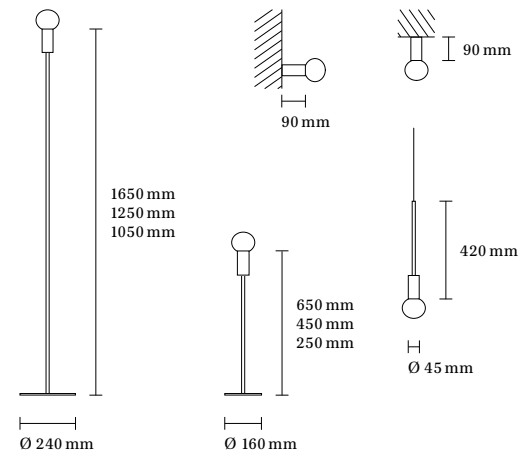
PUR

Design: Felice Dittli / dittlidesign 1990 / 2019

«Unadulterated and minimalist»

The PUR luminaire series shines at different heights as a floor and table luminaire or suspended from the ceiling.

It is available with an anodised or powder-coated surface. Opal and transparent LED lamps with the classic E27 socket can be used.



Geissensteinring 41
6005 Luzern
+41 41 360 86 65
info@lichtprojekte.ch
www.lichtprojekte.ch

Material:

aluminium sand-coloured anodised or powder-coated bronze,
special colours on request

Illuminant:

E27 LED globes opal and clear glass, dimmable

Styles:

floor lamp / table lamp / pendant lamp / ceiling lamp / wall lamp

● LICHTPROJEKTE

Christian Deuber

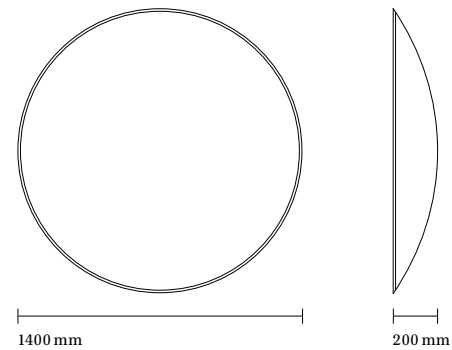


Geissensteinring 41
6005 Luzern
+41 41 360 86 65
info@lichtprojekte.ch
www.lichtprojekte.ch

LA LUNE

Design: Christian Deuber

**A lense of white fiberglas in a fascinating size.
„We love fullmoons“.**



Material: Membrane of fibre glass, steel frame
Illuminant: LED
Attachment: Installed straight onto the wall or the ceiling
Styles: DALI dimmable

