

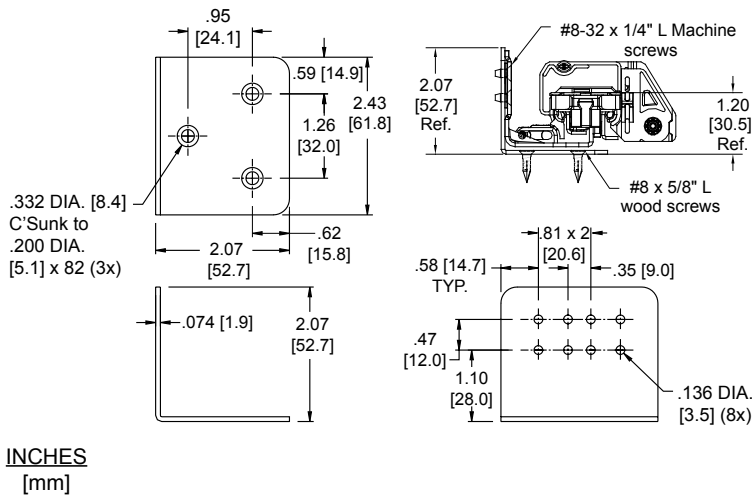


Bottom Mount Bracket Kit Part number 4180-0569-XE

APPLICATIONS: Bottom mount bracket kit for use with 3135 Easy-Close. This product is covered by U.S. and various foreign patents issued and/or pending.

For use with model:
3135EC Easy-Close

Figure 1



CABINET CONSTRUCTION

Build drawer system based on 1.20" [30.5 mm] slide clearance requirement. Additional drawer requirements are specified in the Eclipse slide technical sheet.

Figure 3

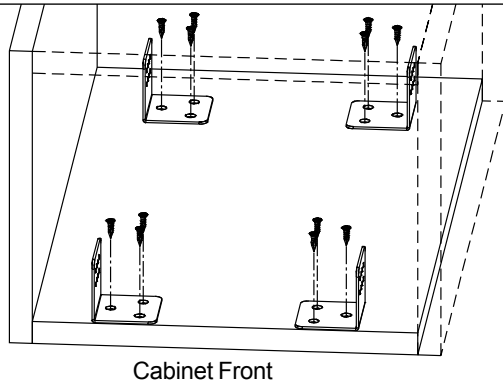


FIGURE 3

Install brackets to floor of the cabinet using #8 x 5/8" L Wood Screws (not included).

Ordering/Packaging Information

Bottom mount brackets are ordered as a kit, or in bulk. Brackets are provided in zinc finish. Order one kit per pair of slides.

To order the kit, specify part number 4180-0569-XE. Each kit contains 4 bottom mount brackets, 8 each #8-32 x 1/4" self-tapping screws and one installation sheet.

RoHS Compliant

Specifications, materials, prices, terms and delivery are subject to change without notice.

For the most current technical information visit www.accuride.com

Figure 2

Slide Length	12.00 [304.8]	14.00 [355.6]	16.00 [406.4]	18.00 [457.2]	20.00 [508.0]	22.00 [558.8]	24.00 [609.6]	26.00 [660.4]	28.00 [711.2]
A	8.82 [224.0]	8.82 [224.0]	12.60 [320.0]	12.60 [320.0]	16.38 [416.0]	18.90 [480.0]	18.90 [480.0]	22.68 [576.0]	22.68 [576.0]

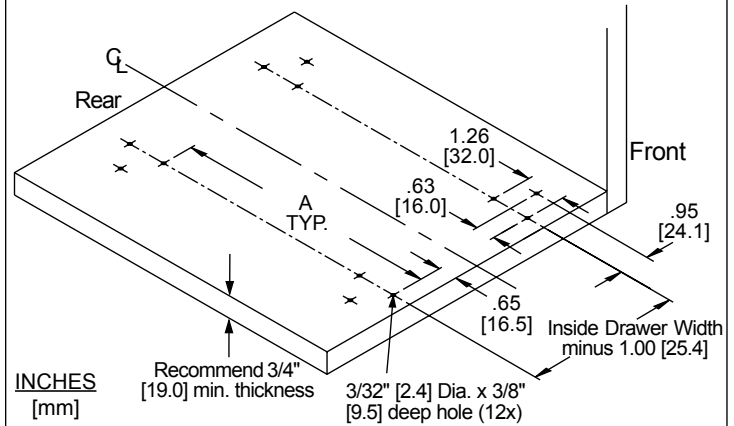


FIGURE 2

Pre-drill holes on bottom panel of the cabinet as shown. All dimensions are typical.

Figure 4

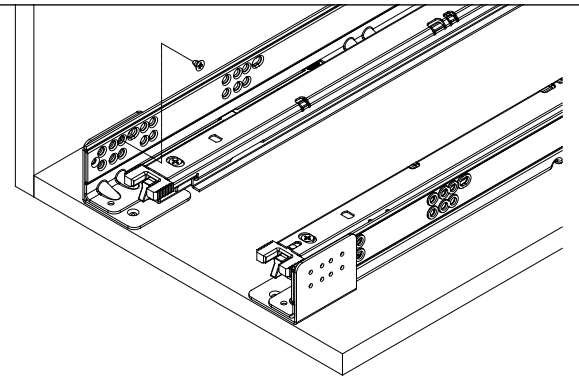


FIGURE 4

Install slides to mounting brackets using #8-32 x 1/4" L self-tapping screws provided in the kit.

Connect the drawer to the slides by lowering the drawer onto the slides and pushing the drawer until the handles lock onto front of the slides.



ACCURIDE INTERNATIONAL INC.

12311 Shoemaker Avenue
Santa Fe Springs, CA 90670

TEL (562) 903-0200

FAX (562) 903-0208

www.accuride.com

Manufacturing, Engineering, and Sales

United States • Germany • Japan • Mexico • United Kingdom • China

Copyright © 2015 Accuride International Inc. 3700-9474(1139)-MK107-R4-0915