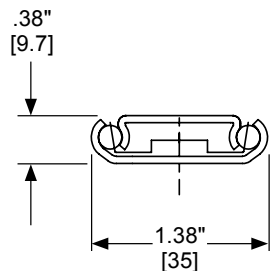


CROSS SECTION GUIDE

LIGHT DUTY

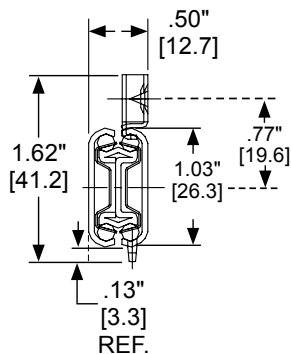
1029

35 lbs.
Max. drawer width 16"



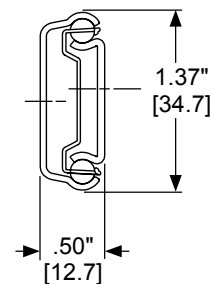
2632

65 lbs./pr.
Max. dwr. width 16"



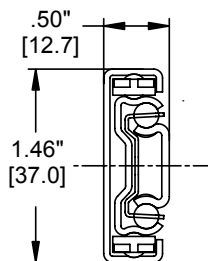
2132♦

75 lbs./pr.
Max. dwr. width 16"



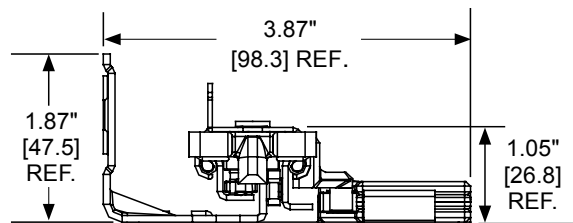
3732♦

100 lbs./pr.
Max. dwr. width 16"



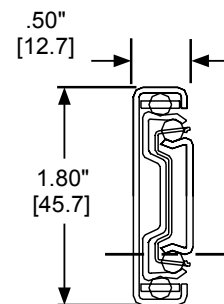
ECLIPSE 3132♦♦

100 lbs./pr.
Max. dwr. width 30" wide



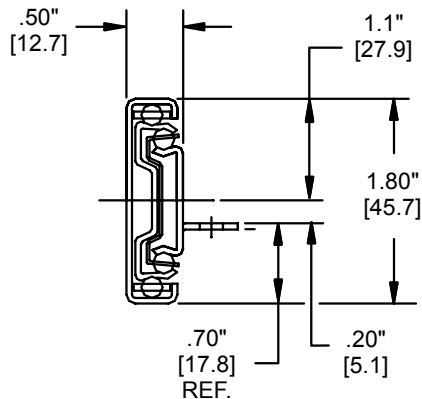
3832/3834♦♦

90-100 lbs./pr.
Max. dwr. width 16"



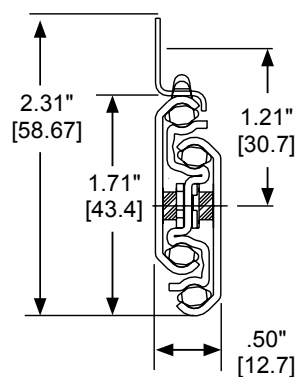
3864

90 lbs./pr.
Max. dwr. width 16"



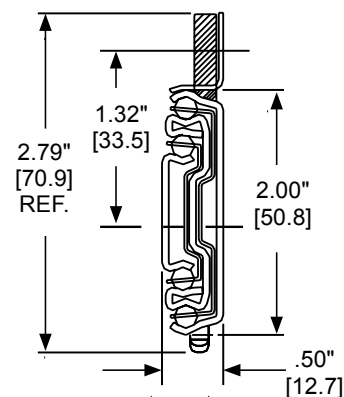
7432/7434♦♦

100 lbs./pr.
Max. dwr. width 24"



3017♦

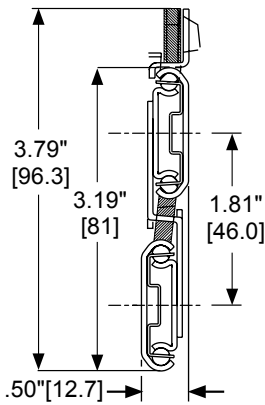
100 lbs./pr.
Max. dwr. width 24"



- ♦ BHMA Certified
- ♦♦ WI Acknowledged

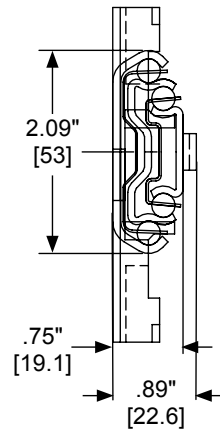
4032/33/34/35 ♦

100-150 lbs./pr.
Max. dwr. width: 18"-27"



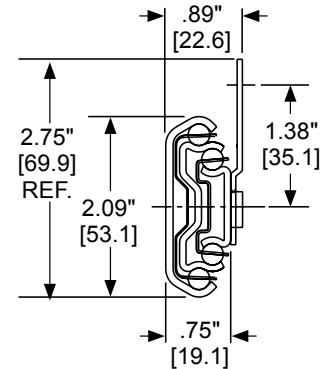
3641 ♦

180 lbs./pr.
Max. dwr. width 42"



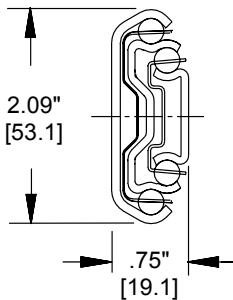
3640A ♦♦

200 lbs./pr. side mount
Max. dwr. width 42"
75 lbs./pr. flat mount
Max. dwr. width 24"



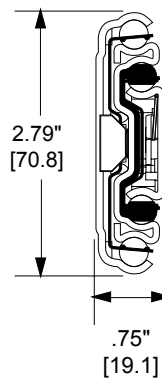
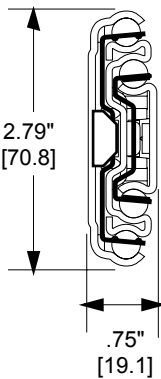
3600/3607/3657

200 lbs./pr.
Max. dwr. width 42"



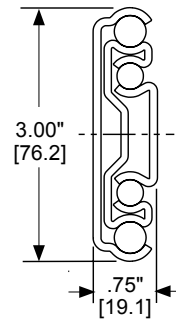
7950/7957 ♦

Side mount: 350 lbs./pr.
Flat mount: 150 lbs./pr.
Max. dwr. width 42"



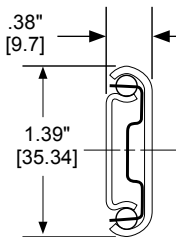
9301/9307/9308 ♦♦

150-500 lbs./pr.
Dependent on usage



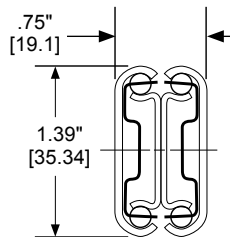
SS2028

100 lbs./pr.
Max. drawer width 18"



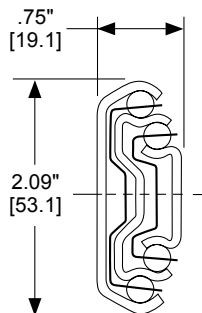
SS0330

143 lbs./pr.
Max. drawer width 18"



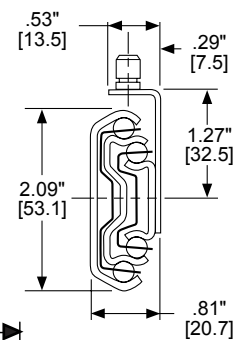
SS5321

350 lbs./pr.
Max. drawer width 18"



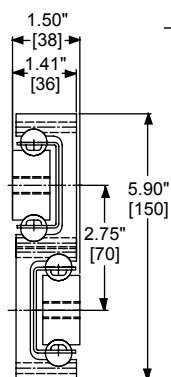
SS5322

265 lbs./pr.
Max. drawer width 18"



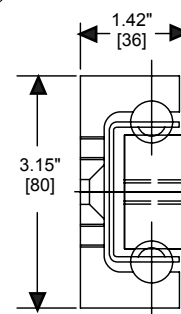
AL4140

Up to 1,323 lbs./pr.



AL4120

Up to 1,212 lbs./pr.

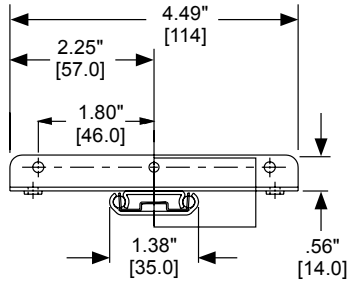


♦ BHMA Certified
♦♦ WI Acknowledged

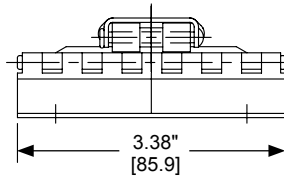
CROSS SECTION GUIDE

FLIPPER DOOR SLIDES®

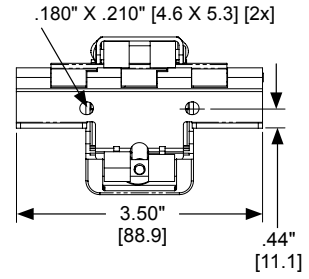
117
25 lbs./pr.
Doors up to 24" w x 36" h



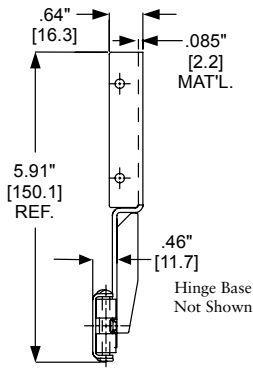
1145
30 lbs./pr.
Doors up to 36" wide



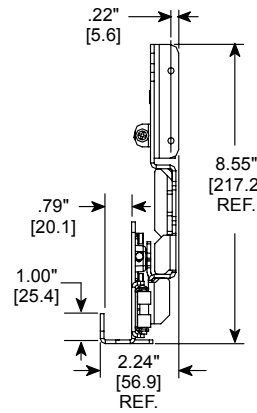
1155♦
30 lbs./pr.
Doors up to 48" wide



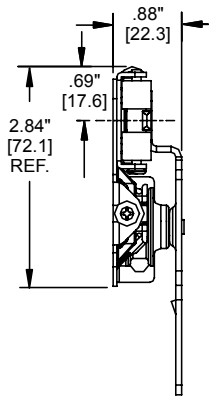
123/1234♦
30 lbs./pr.
Doors up to 24" w x 42" h



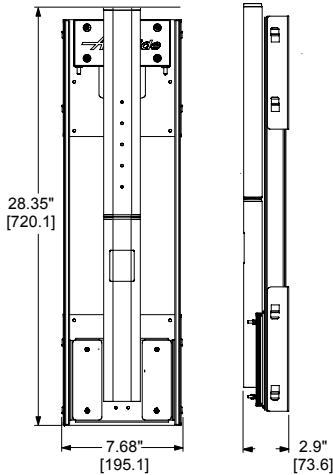
1321♦
30 lbs./pr.
Doors up to 24" w x 42" h



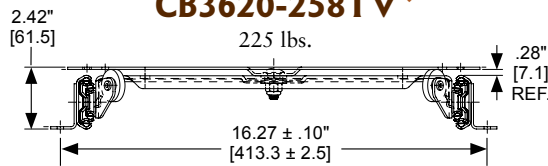
1332/1432♦
75 lbs./pr.
Doors up to 26" w x 78" h



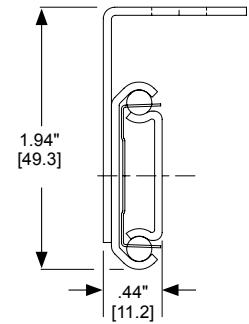
Ascent CBLIFT-0019
Up to 14.5 lbs.



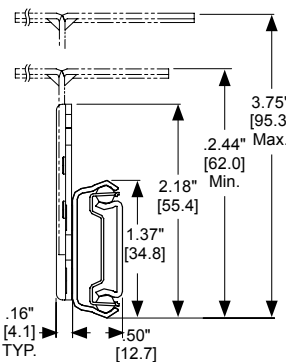
CB3620-258TV♦
225 lbs.



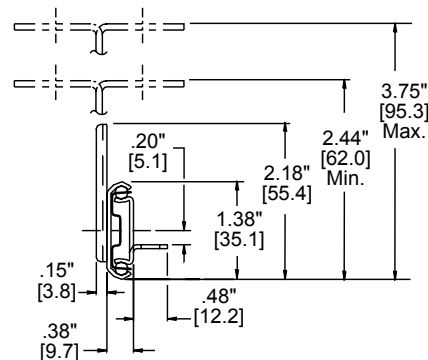
2006
45 lbs./pr.
Max. dwr. width 16"



2109♦
75 lbs./pr.
Max. dwr. width 16"



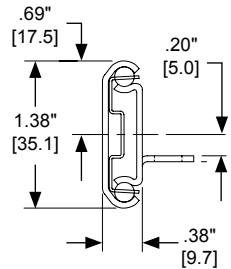
2019
75 lbs./pr.
Max. dwr. width 16"



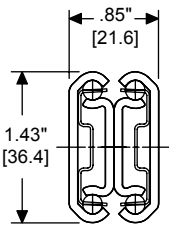
- ♦ BHMA Certified
- ♦ WI Acknowledged

SPECIALTY SLIDES

2002
50 lbs./pr.
Max. dwr. width 12"

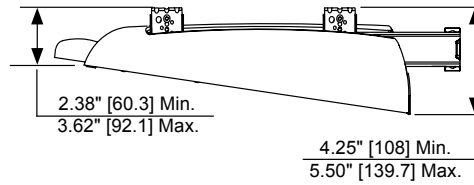


0363
100 lbs./pr.
Max. dwr. width 18"

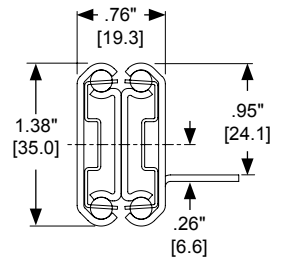


CBERGO-TRAY200/300 ♦

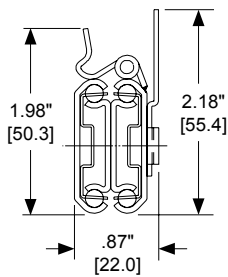
Profile width 29.6"



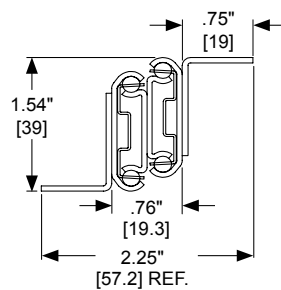
322
100 lbs./pr.
Max. dwr. width 16"



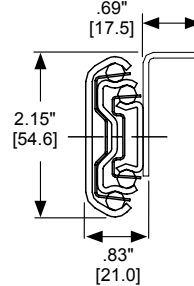
340
110 lbs./pr.
Max. dwr. width 18"



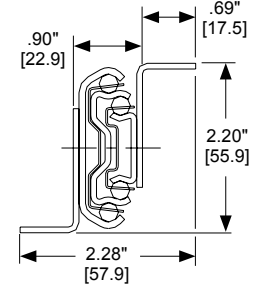
301-2590
155 lbs./pr.
Max. dwr. width 16"



3600-200
175 lbs./pr.
Max. dwr. width 20"

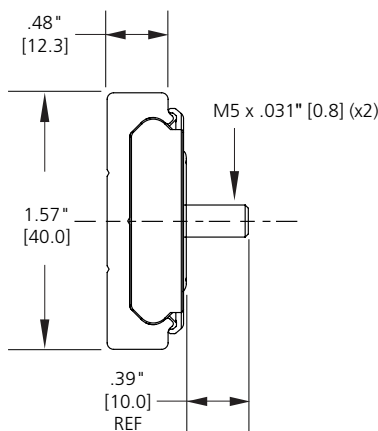


3600-201
175 lbs./pr.
Max. drawer width 20"



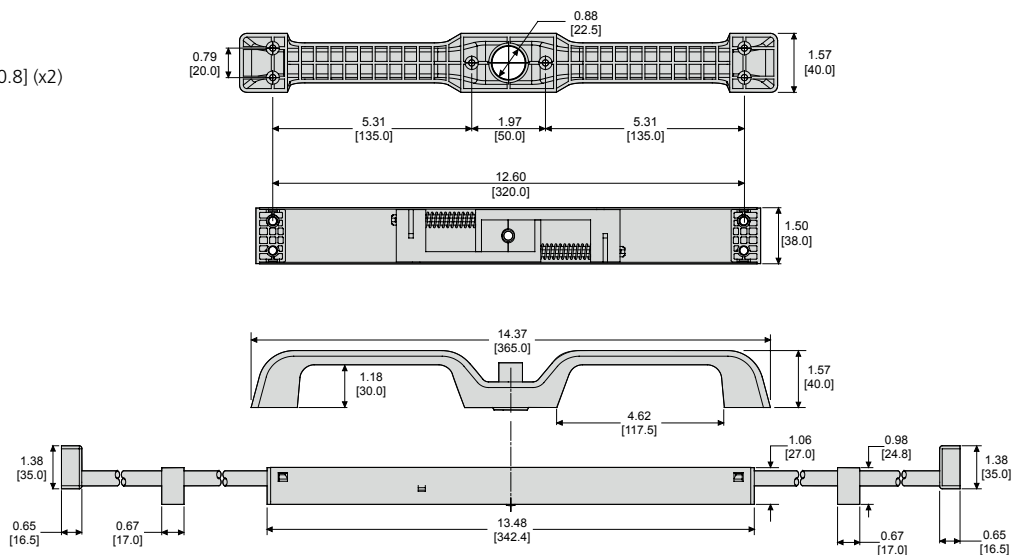
I15RC

LINEAR MOTION TRACK SYSTEM
Up to 265 lbs. [120 kg]



CB-HAND - LOCKING HANDLE KITS

Max. dwr. width 60"
Adds lock-in and lock-out to heavy-duty slides.



◆ BHMA Certified
♦ WI Acknowledged